

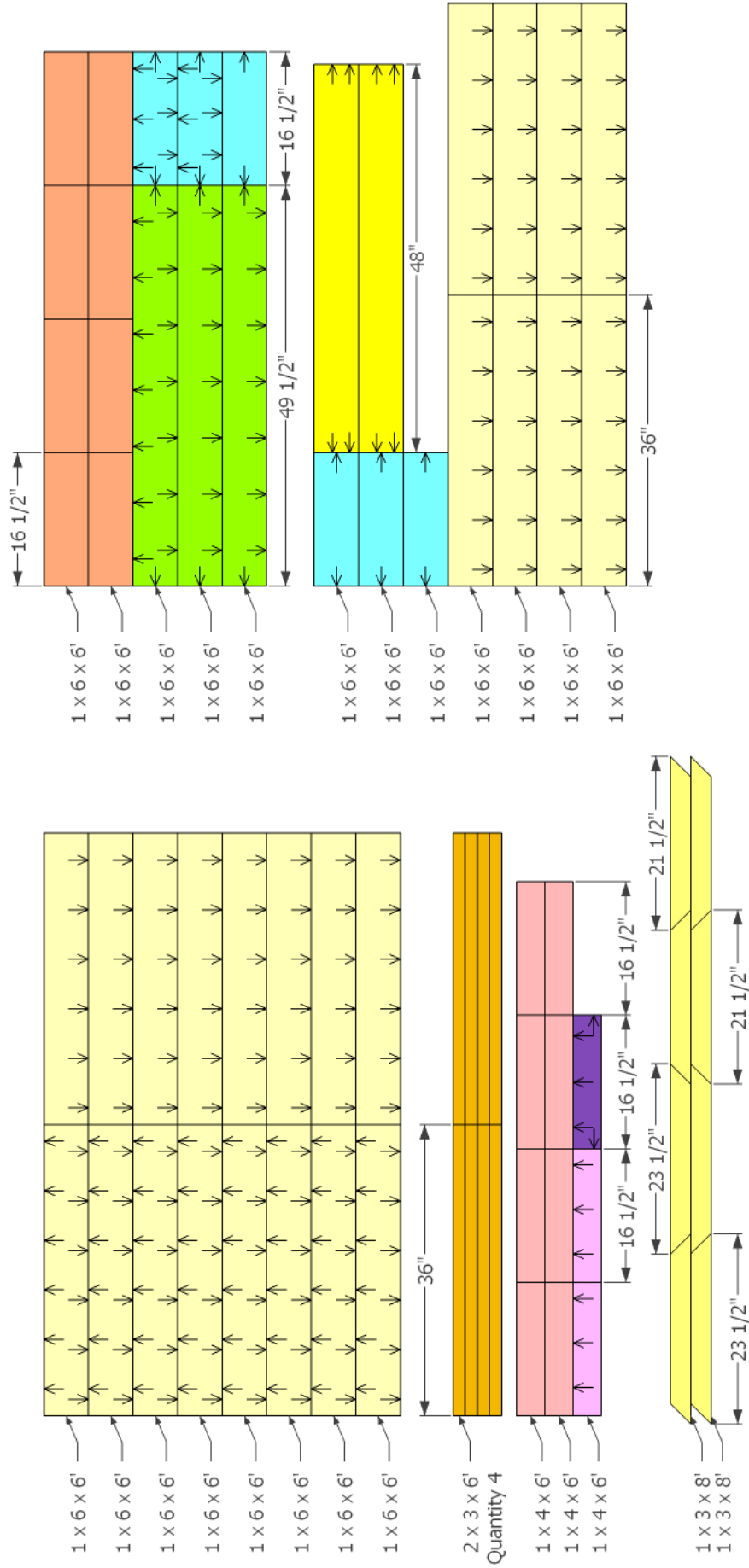
DIY Planter Bench

Copyright © 2014 Shanty-2-Chic.com

Supply List

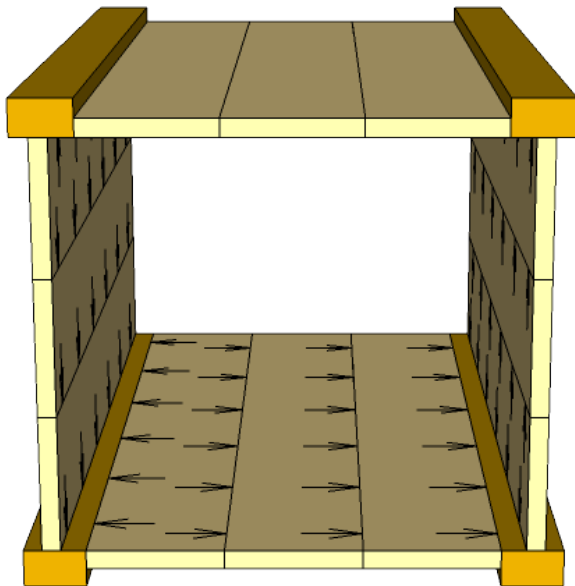
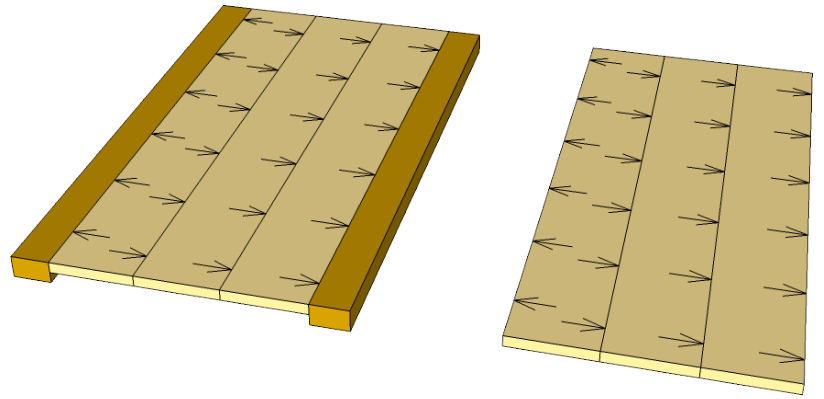
Item	Quantity	Description
1 x 6 x 6' fence boards	20	Cedar fence pickets
2 x 3 x 6'	4	Cedar boards
1 x 4 x 6'	3	Cedar boards
1 x 3 x 8'	2	Cedar boards
1-1/4" pocket hole screws	A LOT!	281 in this plan but you could probably use less in areas
1-1/4" brad nails	Handful	
Wood glue		
Finish of choice is optional		Cedar is naturally weather resistant

Drill pocket holes for 1-1/4" pocket hole screws as indicated by the arrows.
 I used cedar fence boards for the 1 x 6 pieces. Don't worry about cutting off the dog ear parts of the fence pickets. They will be covered up in step 3.



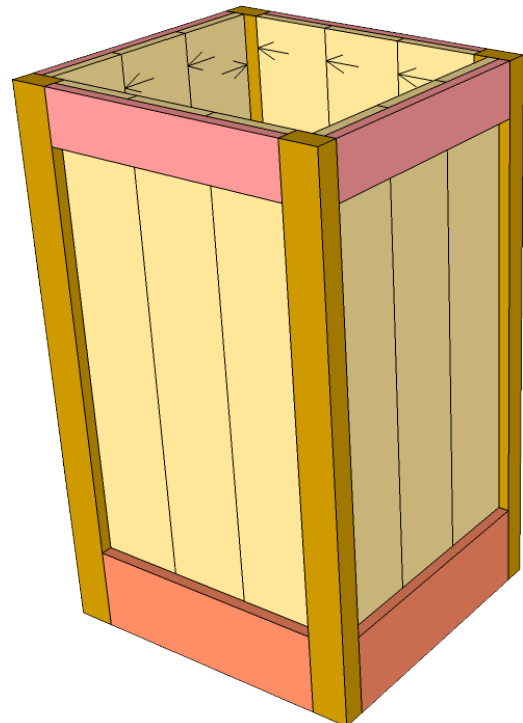
1

Assemble eight of your side panels and add 2 x 3 strips to the sides of four of them. Make sure the 2 x 3 strips are flush with the side of the panel that has the pocket holes. Use glue on every joint in this project. If you use fence pickets don't worry about the dog ear side of the board. These will be covered up in step 3.



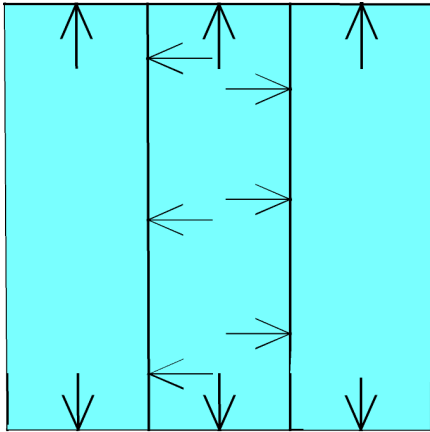
2

Use two of the blank panels to connect two of the panels that have the 2 x 2 strips attached. Make sure all of the dog ears are on the same side when assembling these. When assembled the exterior of the panels will be 3/4" inset from the corner boards. Do this twice to form two planters.



3

With the dog ear sides on bottom glue and nail the top and bottom horizontal strips to the panels. To eliminate visible nail holes you can nail from the inside.

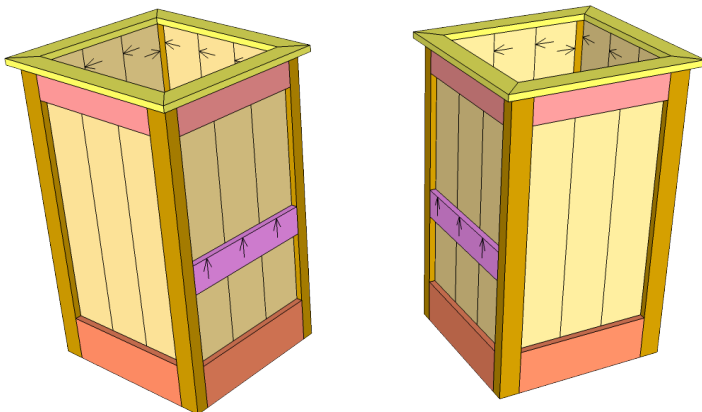
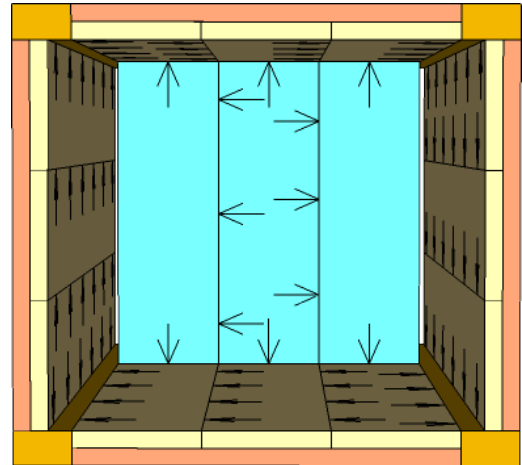


4

Assemble the planter shelf.

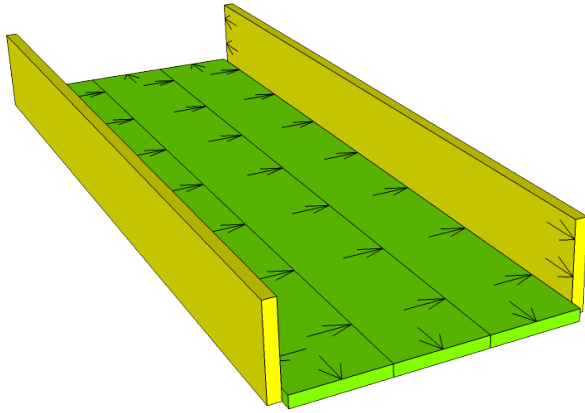
5

Slide the planter shelf in from below and attach it at a height that you wish to use. This will depend on how high the plant buckets are that you are using.



6

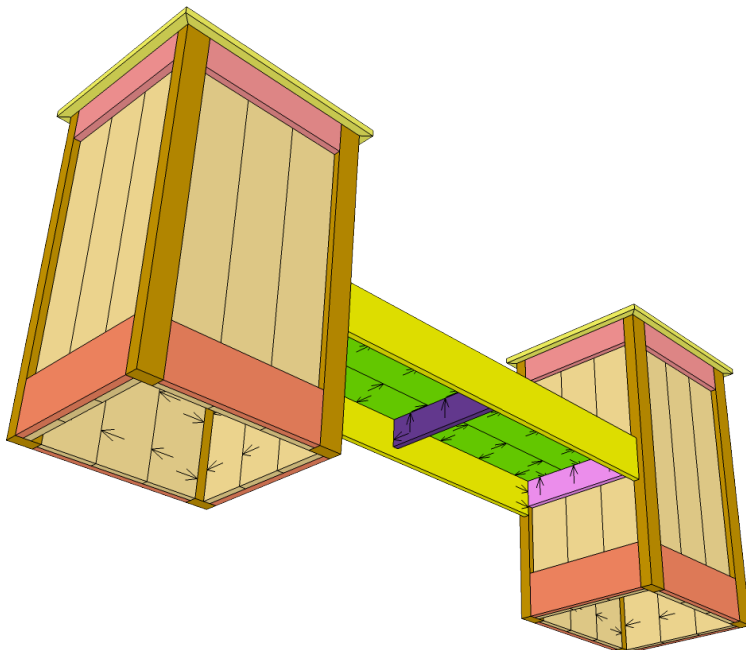
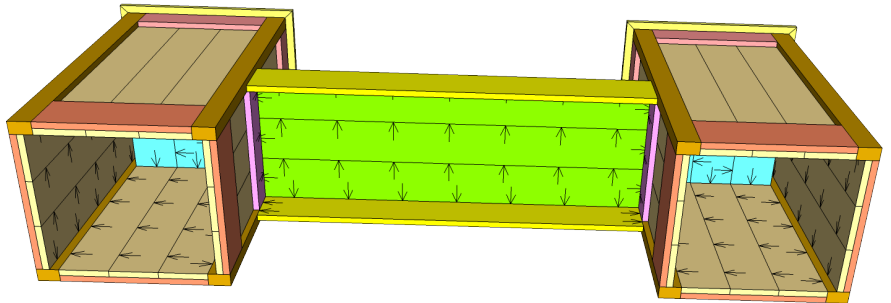
Glue and nail the seat support strips to the planters. Make sure the pocket holes are on the outside and are facing up. The top of these pieces should be $\frac{3}{4}$ " lower than the desired height of your bench. 18" is a typical seating height. Also, glue and nail the frame on the top of each planter.



Assemble the bench panels as shown. The yellow boards in this diagram are 3/4" shorter on both ends.



Attach the bench to the planters with pocket hole screws on both the bench and the seat support strips.



Add the final seat support piece in the middle of the bench. Sand, stain, and finish as desired. Remember that if you make one of these be sure to stop by our website and let us know!