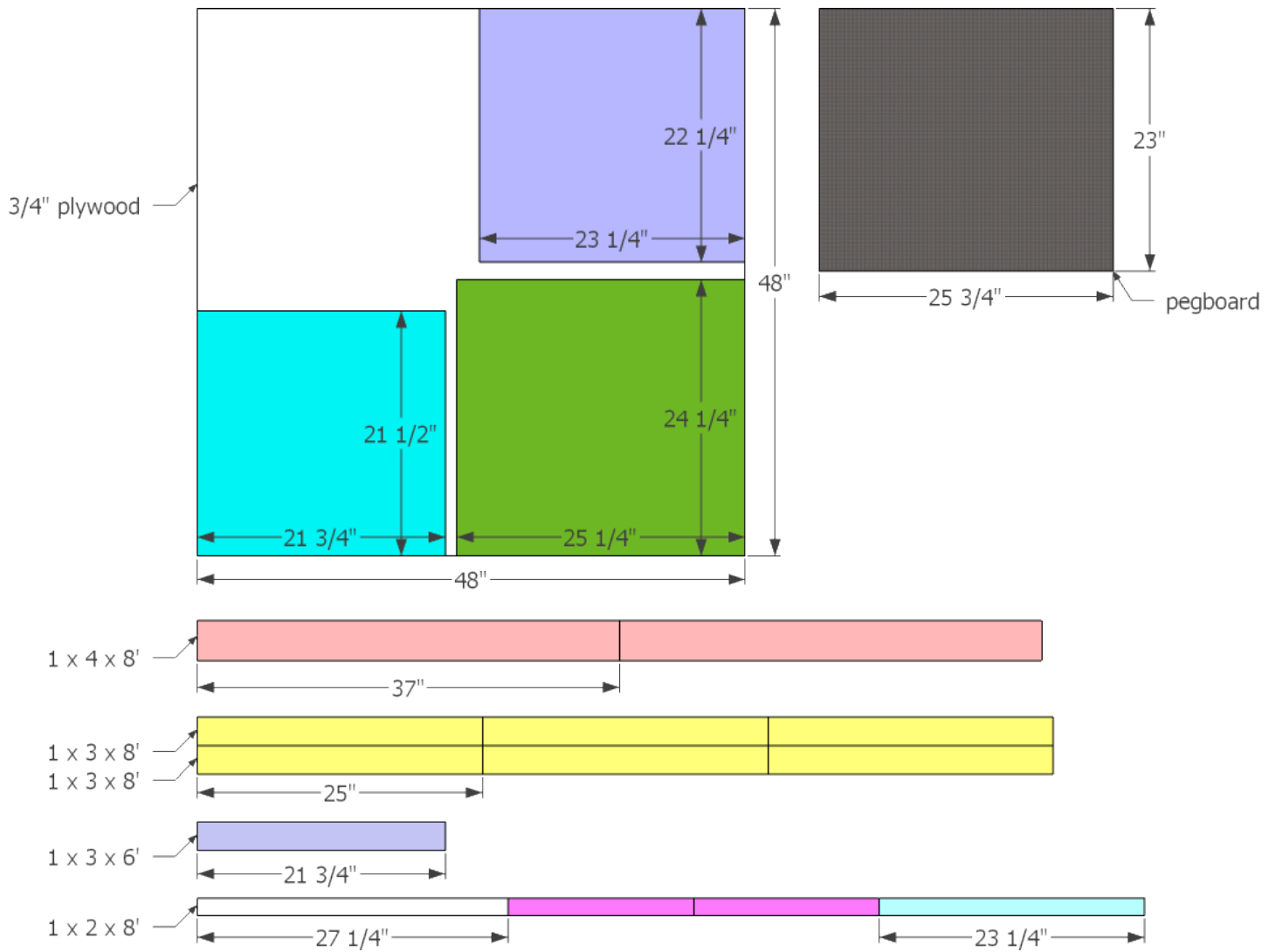


Air Compressor Cart

Copyright © 2014 Shanty-2-Chic.com

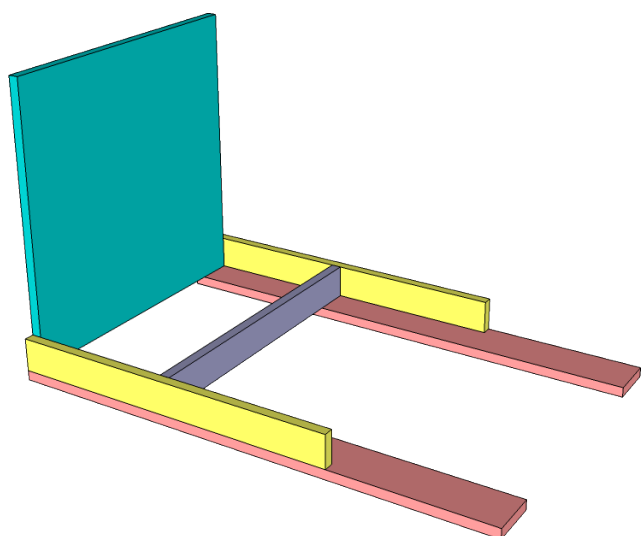
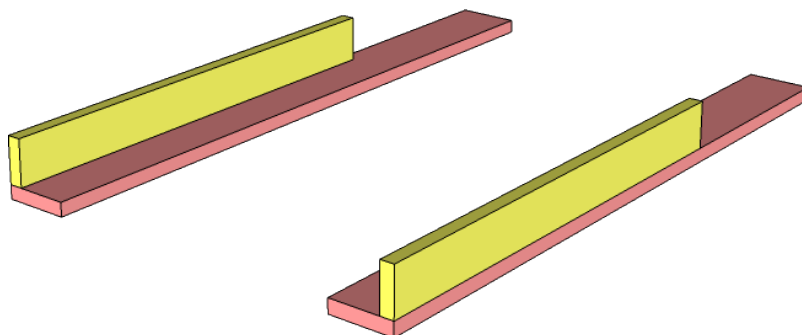
Supply List

Item	Quantity	Description
48" x 48" x 3/4" plywood	1	
1 x 4 x 8'	1	Pine or whitewood board
1 x 3 x 8'	2	Pine or whitewood board
1 x 3 x 6'	1	Pine or whitewood board
1 x 2 x 8'	1	Pine or whitewood board
25-3/4" x 23" pegboard	1	
Brad nails		
Wood glue		
Finish of choice		
Swivel casters		Any size you wish



1

Use wood glue at every joint in this project. Start by assembling the back legs with wood glue and brad nails. Make sure the bottom ends are flush.

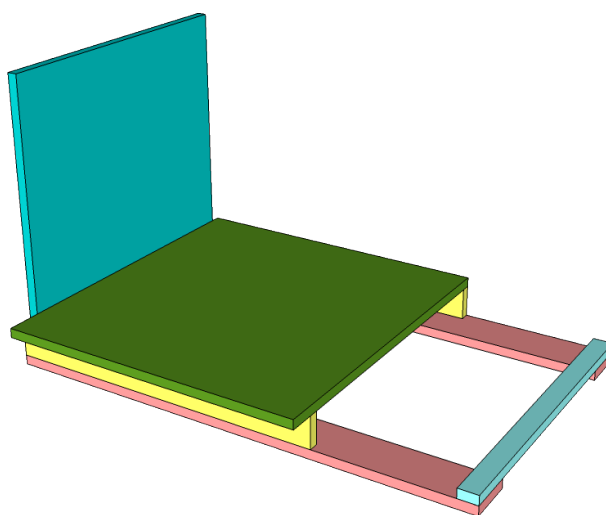


2

Add the bottom panel and the shelf. The bottom panel fits inside the bottom of the legs and the shelf is 10-3/4" away from the bottom panel. Secure these with wood glue and brad nails in every direction possible.

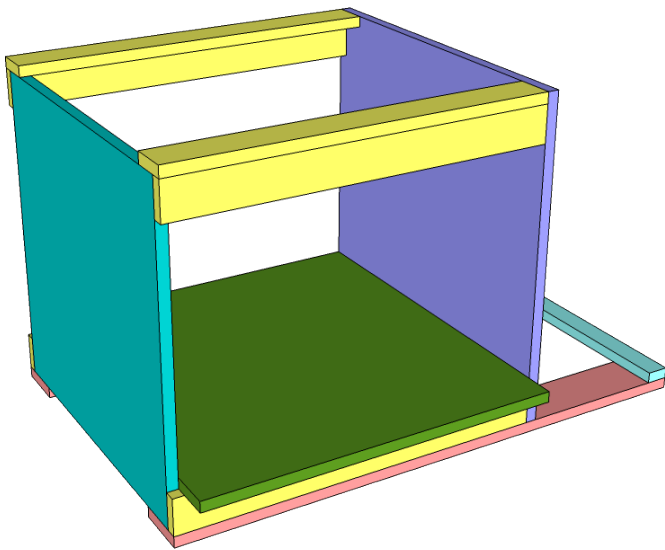
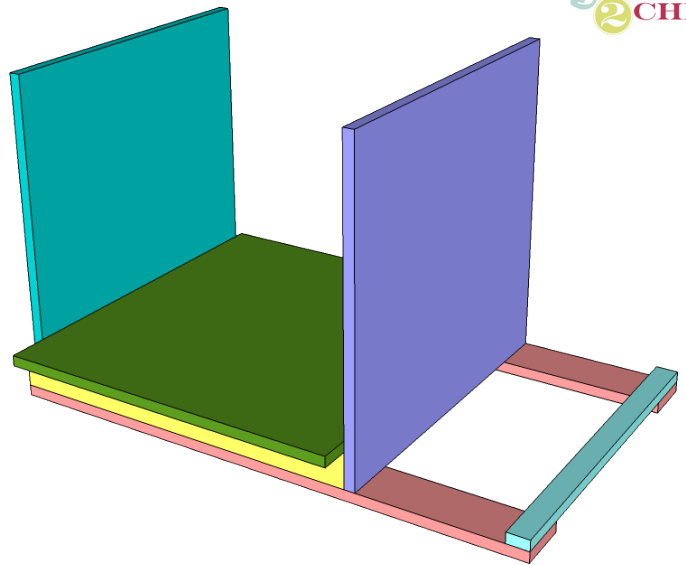
3

Add the 1 x 2 handle with wood glue and brad nails. Also add the divider panel. Make sure it is flush with one side and overhanging on the other. The overhanging side is where the hose will wrap up. It doesn't matter which side you choose.



4

The top panel can be added next. It will be flush with the sides of the back legs. Attach it with glue and brad nails from every direction.

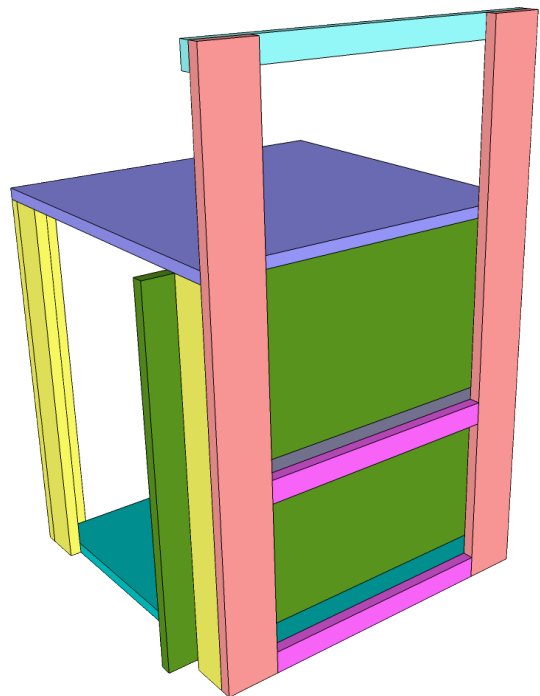


5

Assemble the L shaped front legs with glue and brad nails first. Then attach them to the rest of the assembly with the shorter side facing the front. These legs wrap around the bottom panel and fit under the top panel. Use glue and brad nails to secure it.

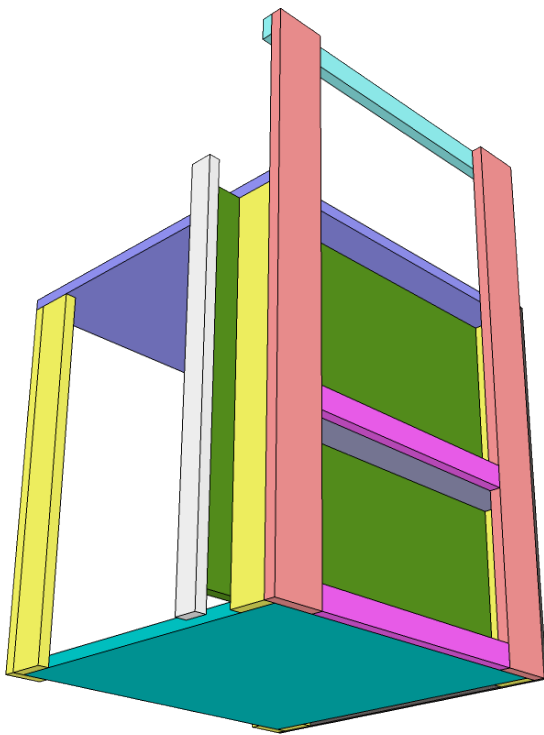
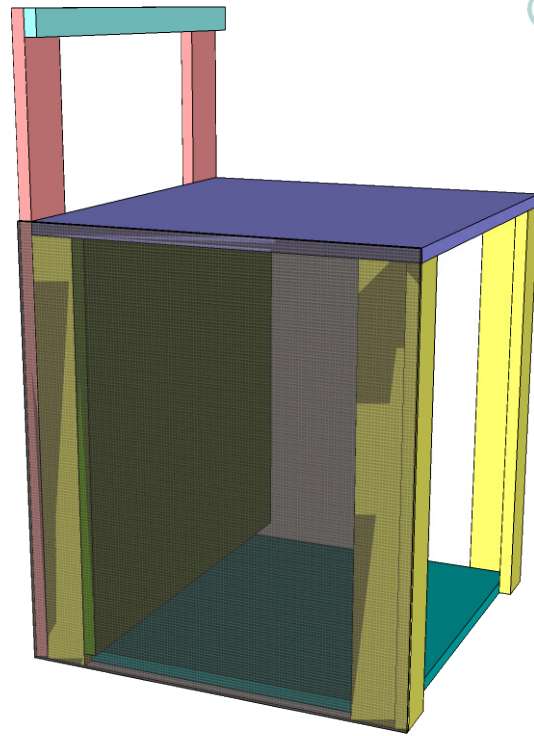
6

With the cart sitting flat attach the 1 x 2 trim boards to the back shelves. These are to prevent items from falling out. Feel free to use any wider material that you may already have if you wish.





Pegboard can be added to the side that won't receive the hose reel.



To give a place for the hose to wrap up attach a piece of 1 x 2 to the end of the divider panel that is sticking out on one side.



Finally lay the cart on it's back and secure the 4 swivel casters to the bottom. Now it's time to load it up with the air compressor, nail guns, and any other accessories you wish to use. If you end up making one of these be sure to stop by our website and let us know!

