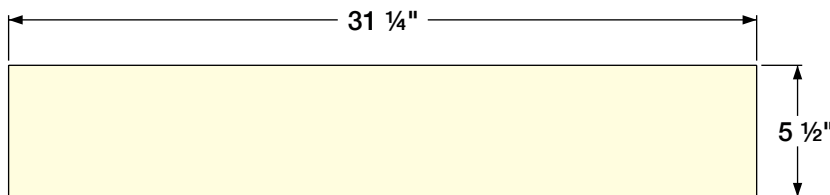
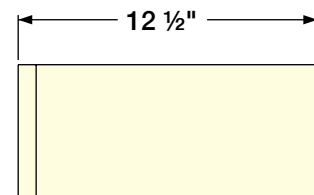


Floating Wall Shelf

Our most popular project, the Floating Shelf. Extremely customizable and so easy to build. Three pieces of wood and you can have this done and installed before lunch. The best part is you can add any embellishment you want to make it fit any style.



FRONT

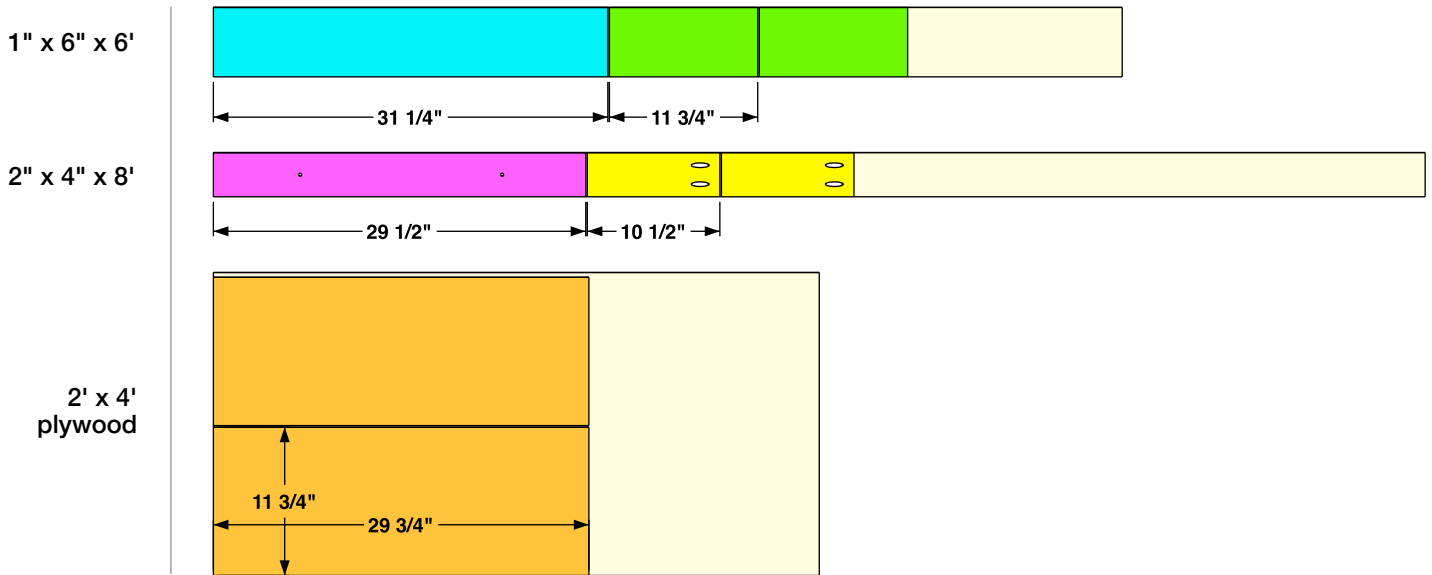


SIDE

Make sure you read through the instructions carefully and take notice of any special construction notes prior to making any cuts. And always practice safe DIY'ing. Have fun!

PLEASE NOTE - many pieces may require you to cut them to fit a certain size while you are building it. Its best not to cut pieces until you need them. Take your time and study all the diagrams.

CUT LIST

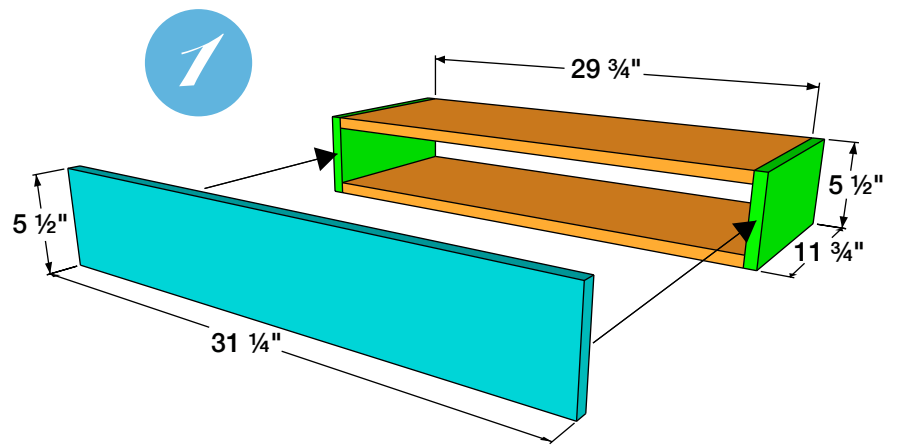
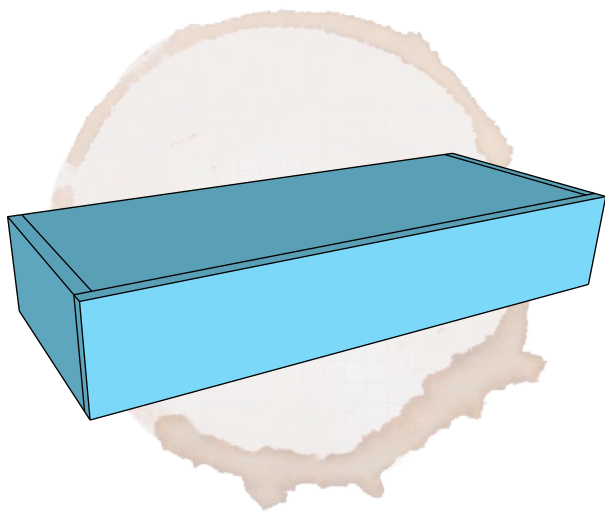


MATERIALS LIST

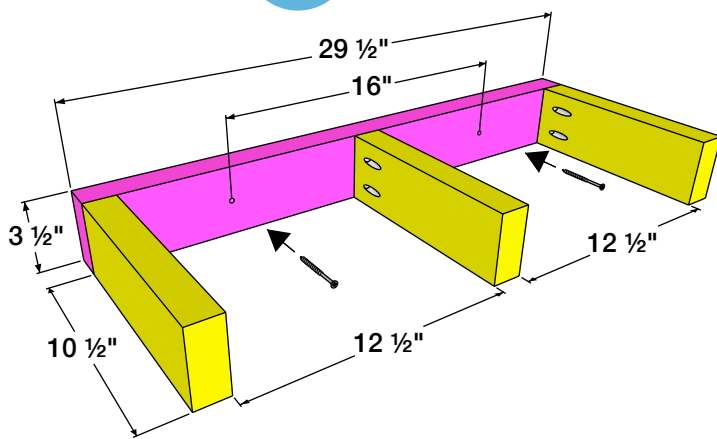
| Material | Qty |
|-------------------------|-----|
| 1" X 6" x 6' pine board | 1 |
| 2" x 4" x 8' wall stud | 1 |
| 2' x 4' plywood | 1 |

| Material | Qty |
|----------------------|-----|
| 2-1/2" pocket screws | |
| 1-1/4" brad nails | |
| 3" Spax screws | |
| wood glue | |

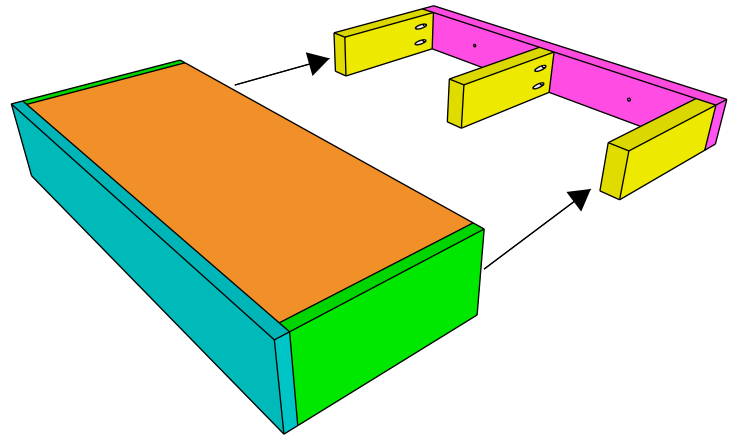
NOTES



2



3



1.

First cut your plywood top and bottom to length. Then your 1x6 sides to length to match the width of the plywood. Making sure the top and bottom edges and the front and back edges are flush attach with wood glue and 1-1/4" brad nails.

Cut your 1x6 front to length so that it is flush with the outside edges of the sides. Making sure it is flush with the top and bottom attach with wood glue and 1-1/4" brad nails.

2.

Now lets make the simple yet sturdy wall cleat. Cut your 2x4 pieces to length. Drill 1-1/2" pocket holes into the ends of the cleat braces and attach with wood glue and 2-1/2" pocket screws into the wall cleat. Make sure the outer braces are flush with the edges of the wall cleat. Center the middle brace and attach with 2-1/2" pocket screws too. Make sure all three are flush with the top edge of the wall cleat.

This floating shelf is perfectly long enough so that you can drive 3" Spax screws into studs since studs are primarily 16" on center. Hold your cleat assembly at your desired height and using a level gauge make sure your cleat is level. Drive your 3" Spax screws into through the cleat assembly into the studs.

3.

Now simply place your shelf assembly onto your cleat assembly and drive two wood screws through your shelf down into the back of the cleat towards the back of the shelf.

That's it. Time for lunch!