

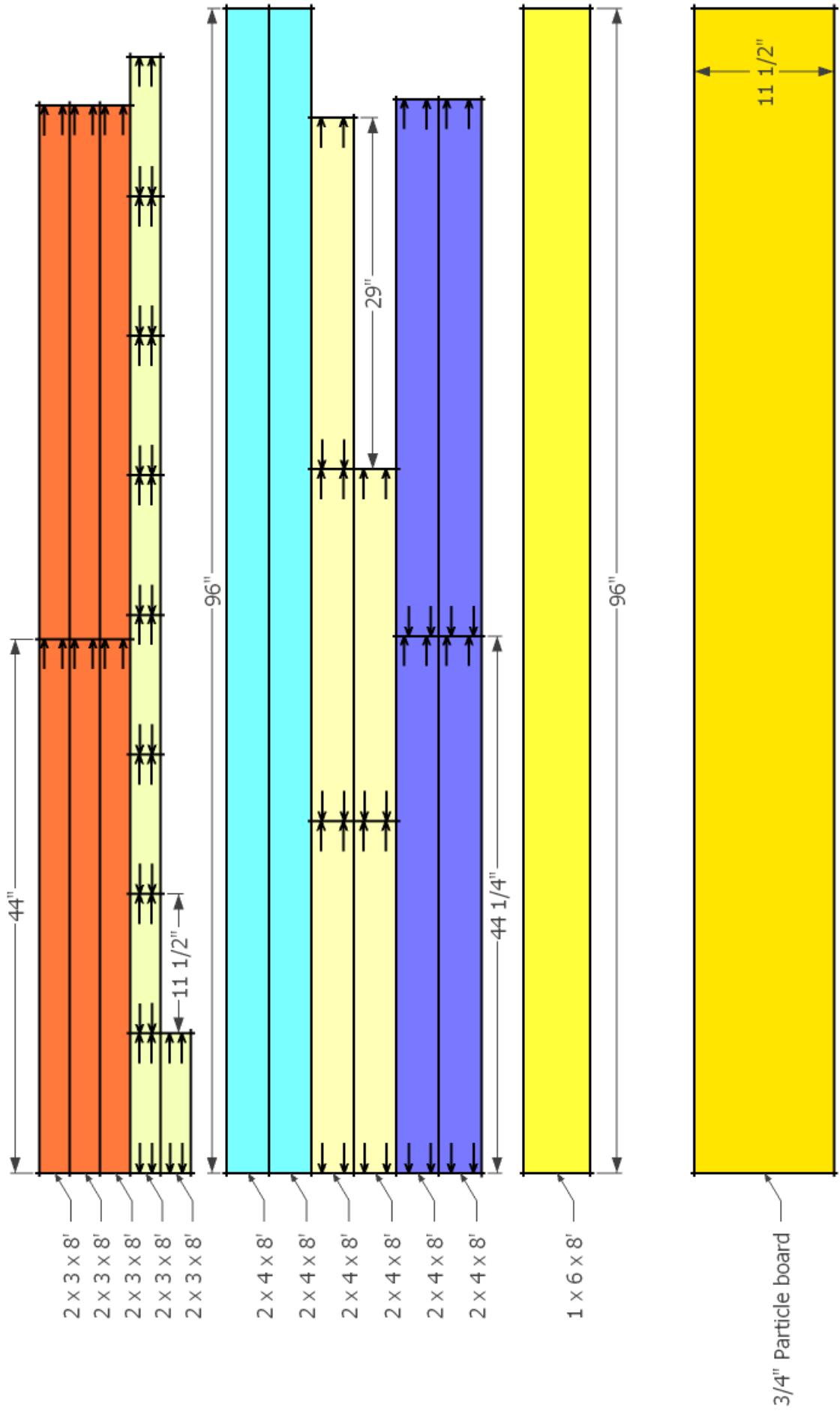
DIY Lumber Cart

Copyright © 2014 Shanty-2-Chic.com

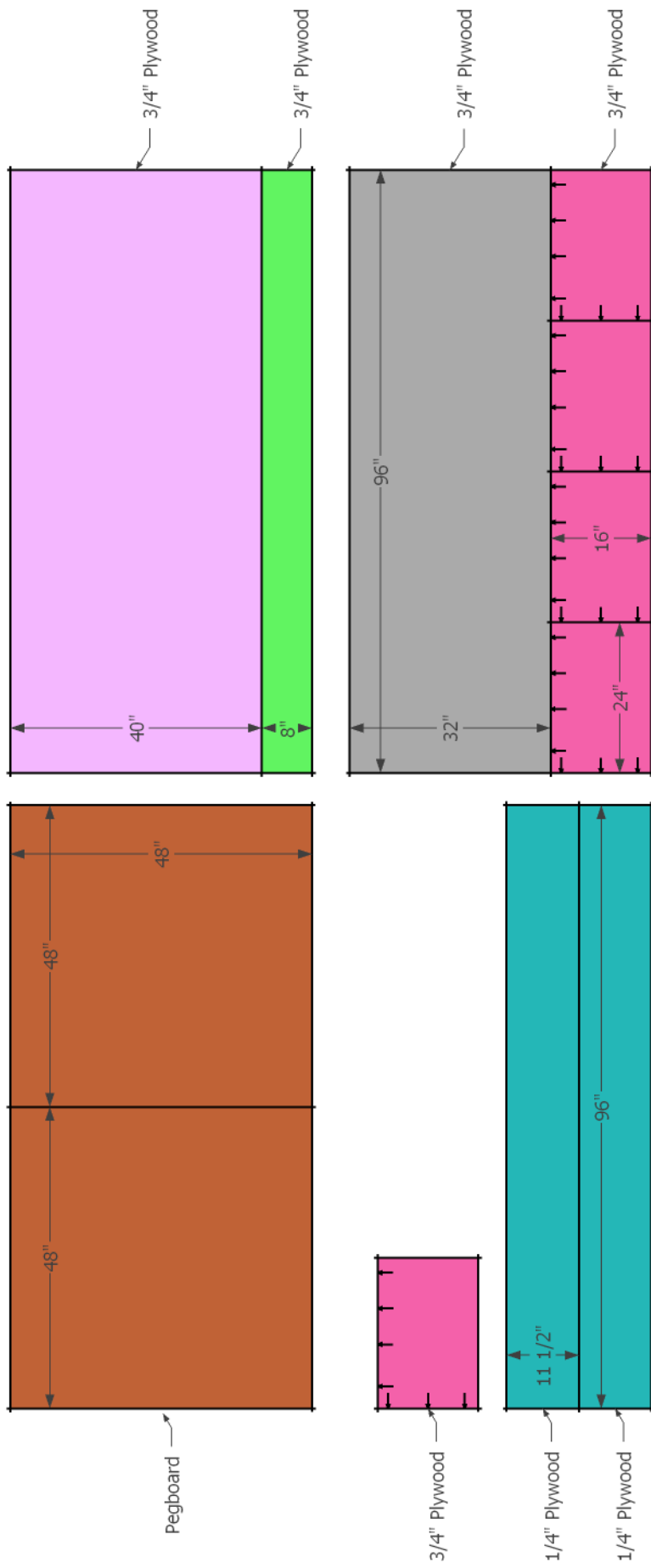
Supply List

Item	Quantity	Description
2 x 3 x 8'	5	Pine or whitewood board
2 x 4 x 8'	6	Pine or whitewood board
1 x 6 x 8'	1	Pine or whitewood board
3/4" particle board	1	8' long shelving material
3/4" x 4' x 8' plywood	2	
3/4" x 2' x 2' plywood	1	optional, for an extra divider (step 8)
4' x 8' pegboard	1	
1/4" x 4' x 8' plywood	1	
Wood glue		
1-1/4" wood screws	handful	To attach the bottom and side panels
1-1/4" pocket hole screws		
2-1/2" pocket hole screws		
Brad nails	handful	
Swivel casters	6	You can get away with 4 but 6 is much better!
Grab handles	2	Optional but they make moving it easier

Drill pocket holes for 1-1/4" pocket hole screws on the 44" orange pieces only. Drill pocket holes for 2-1/2" pocket hole screws on the rest of the pieces as indicated by the arrows.

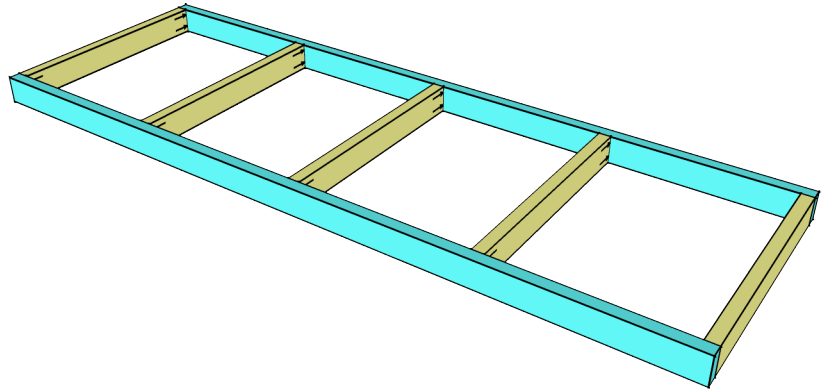


Drill pocket holes for 1-1/4" pocket hole screws as indicated by the arrows



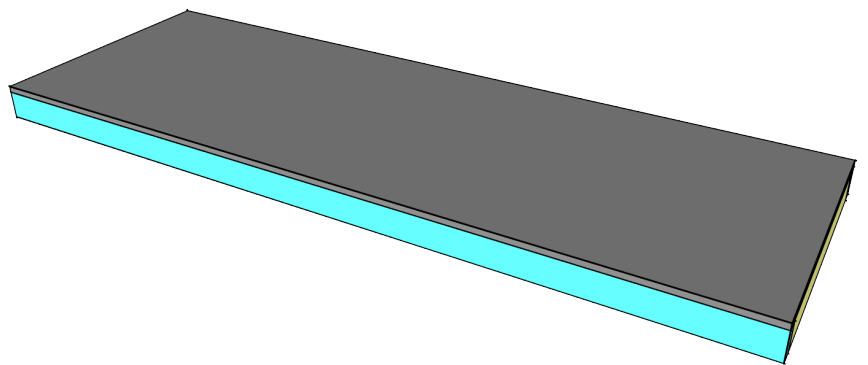
1

Make the 2x3 base frame. Assemble with glue and 2-1/2" pocket hole screws. Spacing isn't critical but mine are evenly distributed.



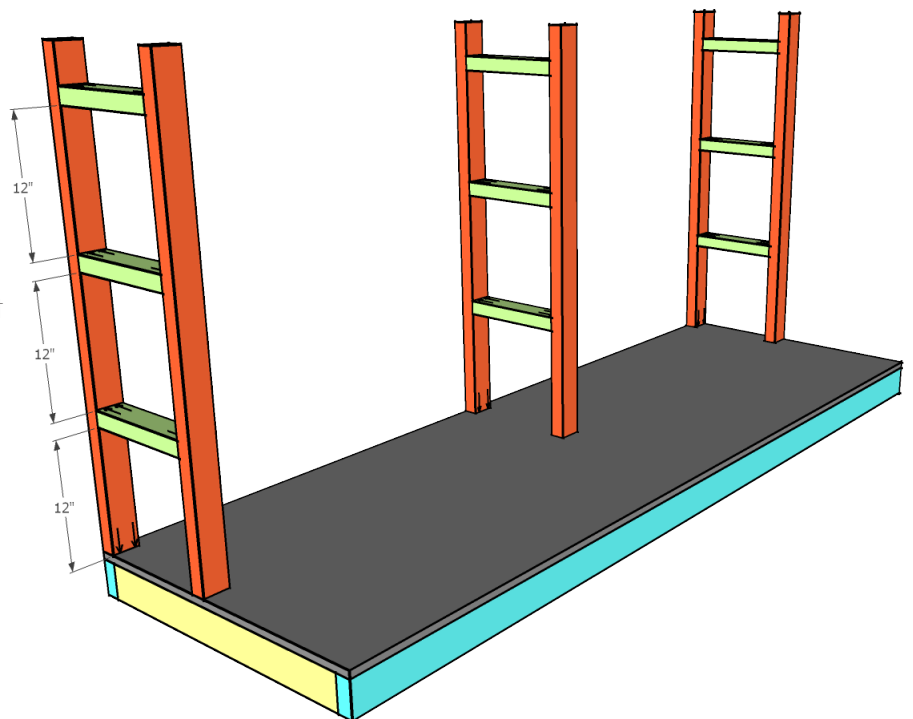
2

Add the 3/4" plywood base with glue and 1-1/4" wood screws.



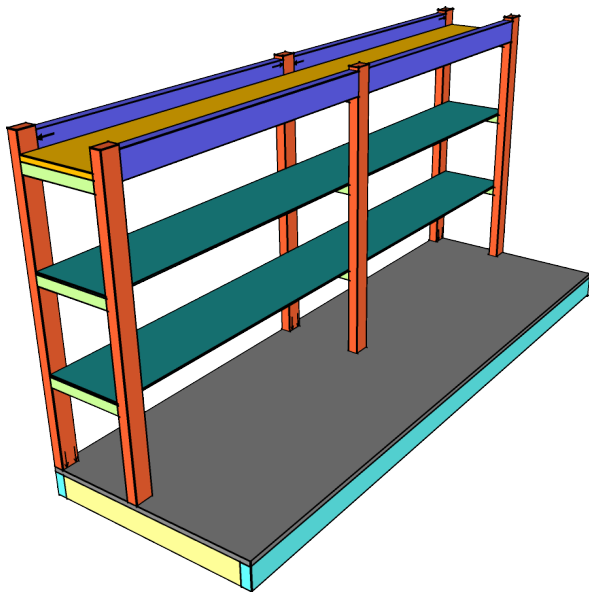
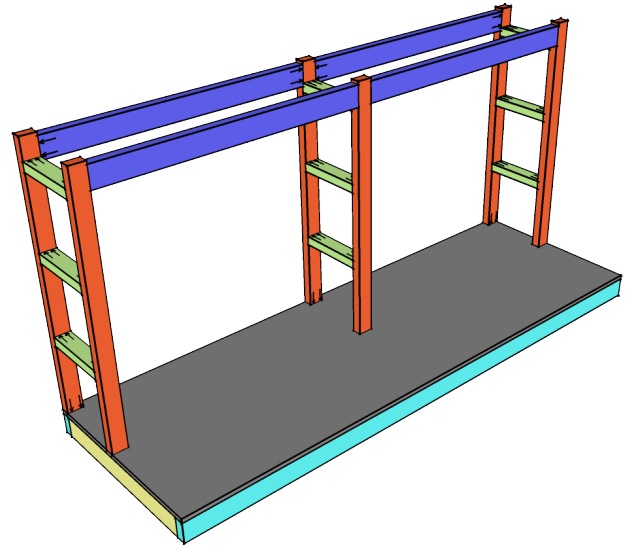
3

Next, assemble the three shelf support assemblies and attach them to the base. The lower shelf support is 12" from the bottom and then each shelf support above is spaced by 12" as well. The center assembly should be centered on the base. Use 1-1/4" pocket hole screws for the vertical pieces and 2-1/2" pocket hole screws for the horizontal pieces.



4

Attach the top shelf sides with glue and 2-1/2" pocket hole screws. These are about 1/2" lower than the height of the vertical shelf support pieces.

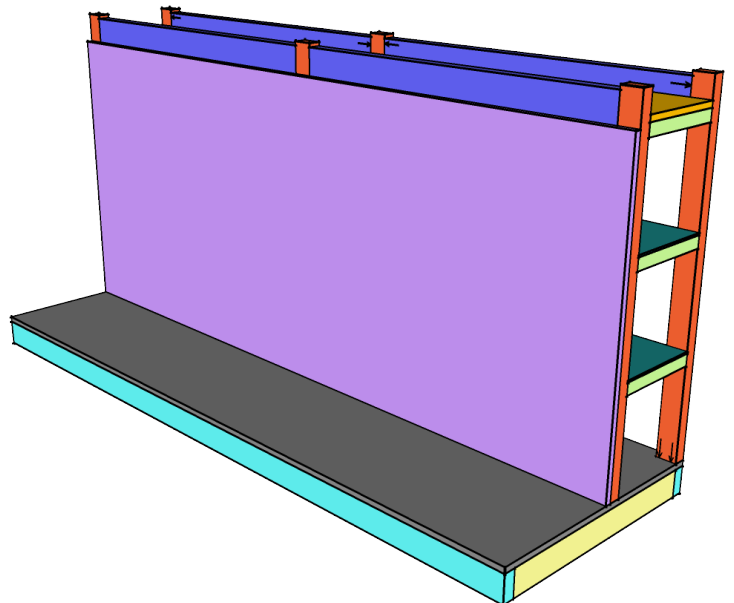


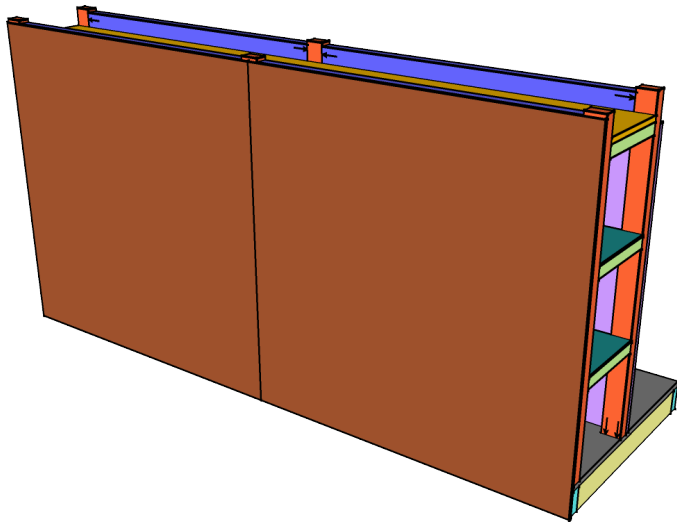
5

Add the shelves. The lower two shelves are 1/4" plywood for support when sliding longer pieces of lumber in. The top shelf piece is 3/4" partial board shelf material.

6

Attach the 3/4" plywood sheet to the sides of the shelf supports. Three 1-1/4" wood screws per vertical support piece should be fine.

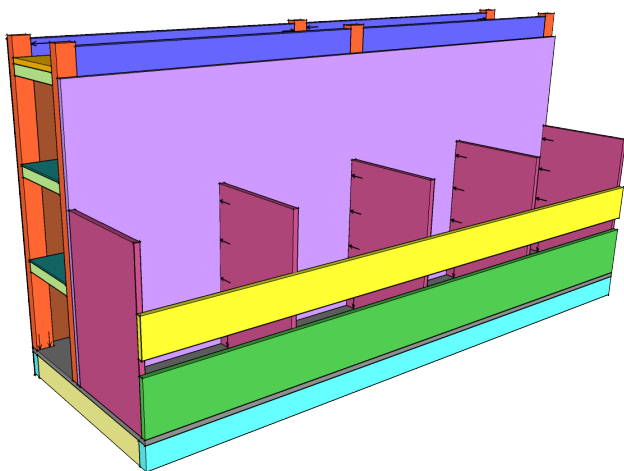
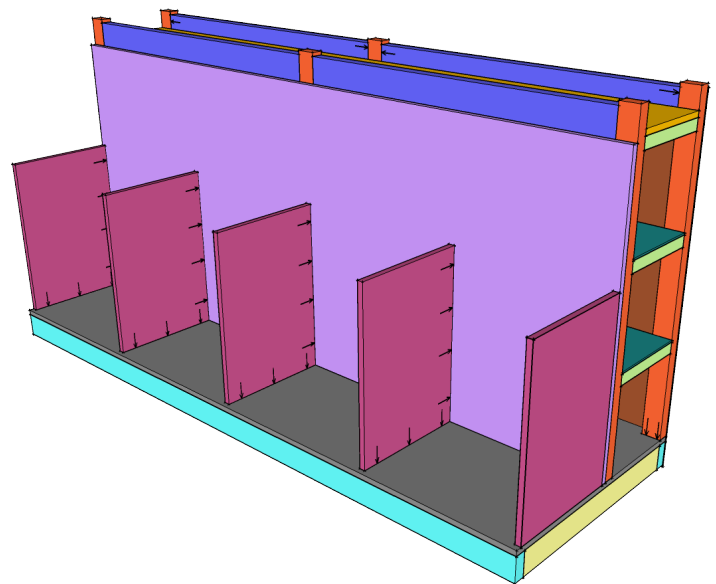




Add your pegboard to the other side. I had to have the nice folks at Home Depot cut mine in half so I could get it home. Attach it using wood screws with an added washer through a few of the pegboard holes.



Next, add your divider panels. If you don't want to purchase an extra 2' x 2' sheet of plywood you could get away with three spaces. That will totally work too! Attach them with 1-1/4" pocket hole screws. The spacing is up to you.



Add your 8" plywood strip to the bottom of your dividers and a 1 x 6 board a few inches above that. Glue and brad nails will be fine here. Lay the cart on it's back and attach your casters to the bottom. I went with 6 casters on the bottom and am glad I did. It moves so easily in my garage even when loaded! If you decide to make one of these carts make sure you stop by our website and let us know!