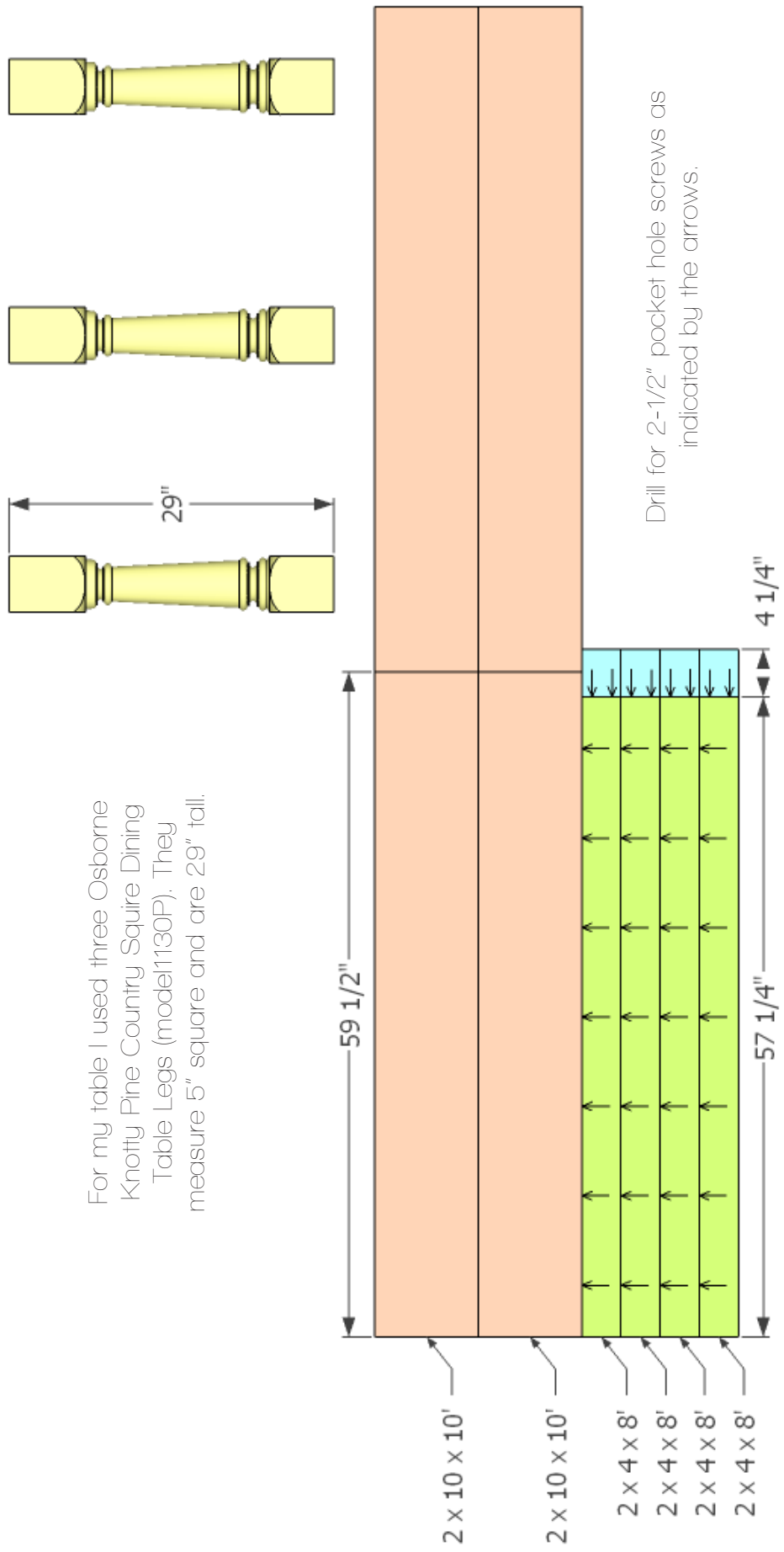


## Tripple Turned Leg Console Table

Copyright © 2014 Shanty-2-Chic.com

### Supply List

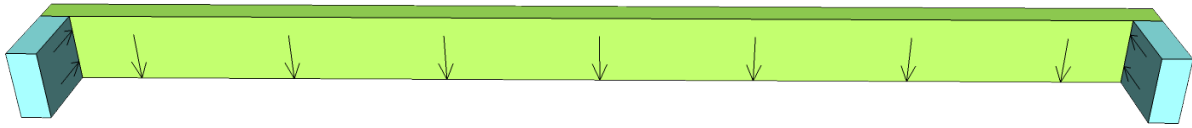
Item	Quantity	Description
2 x 10 x 10'	2	Pine or whitewood board
2 x 4 x 8'	4	Pine or whitewood board
Turned leg	3	
2-1/2" pocket hole screws	36	
3-1/2" SPAX screws	12	
2-1/2" wood screw	handful	
Wood glue		
Finish of choice		



For my table I used three Osborne Knotty Pine Country Squire Dining Table Legs (model1130P). They measure 5" square and are 29" tall.

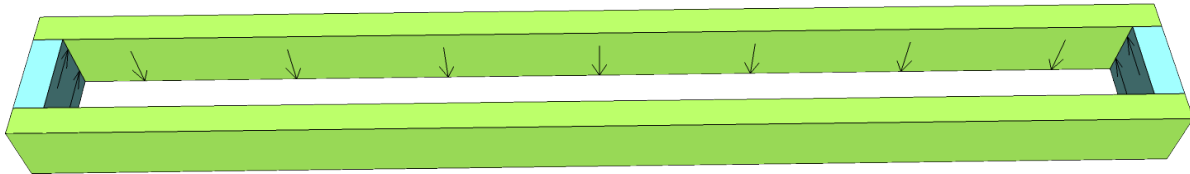
1

Glue and screw the short 2 x 4 pieces onto the long 2 x 4 pieces. Make two of these assemblies.



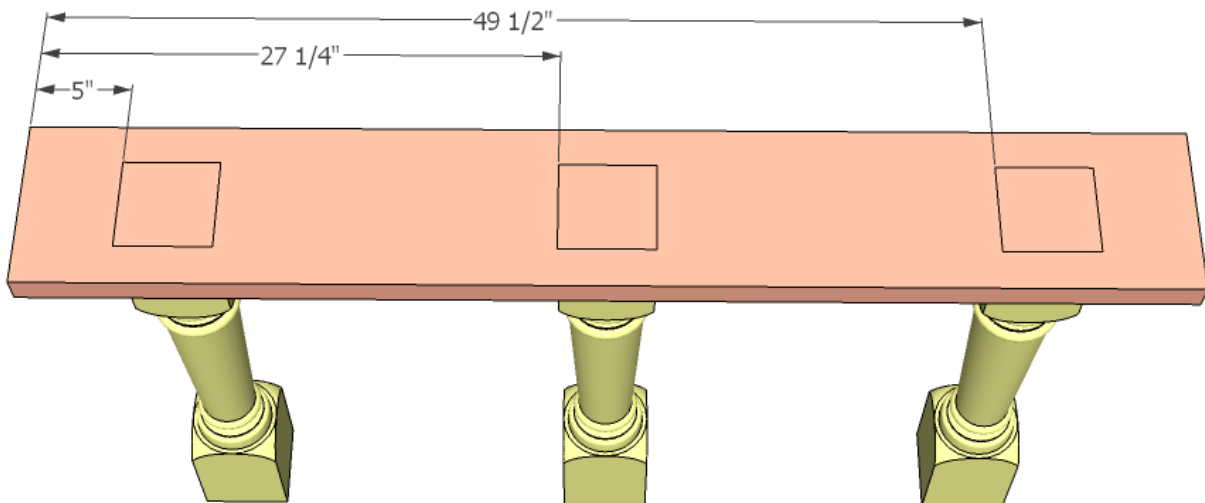
2

Glue and screw the adjacent long 2 x 4 piece onto both assemblies. This is done with regular 2-1/2" wood screws from the outside. Make sure all of your pocket holes are on the inside.



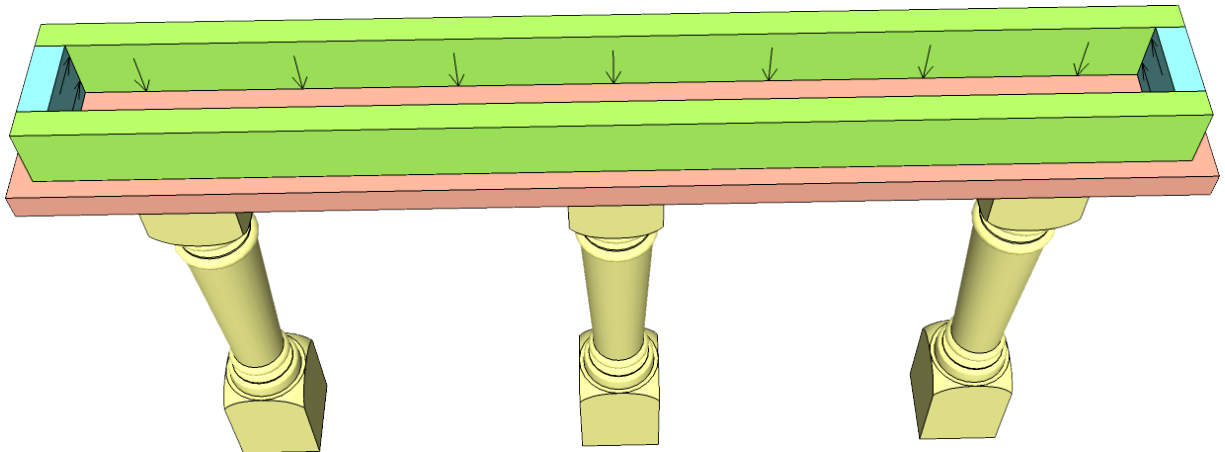
3

With the bottom side of your legs facing up add one of the 2 x 10 boards with wood glue and at least two 3-1/2" SPAX screws per leg according to the spacing in the diagram. These measurements should center everything if you are using a 5" square leg like me.



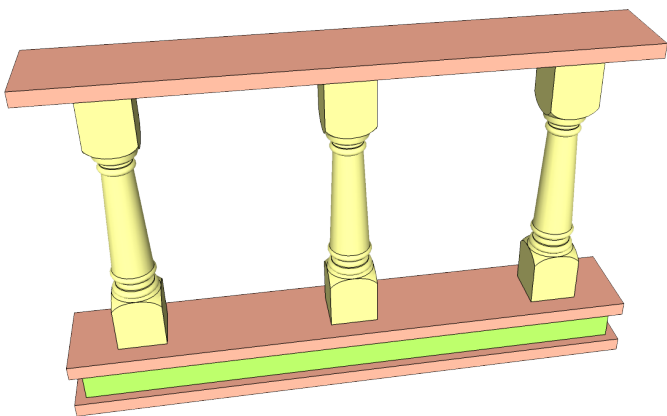
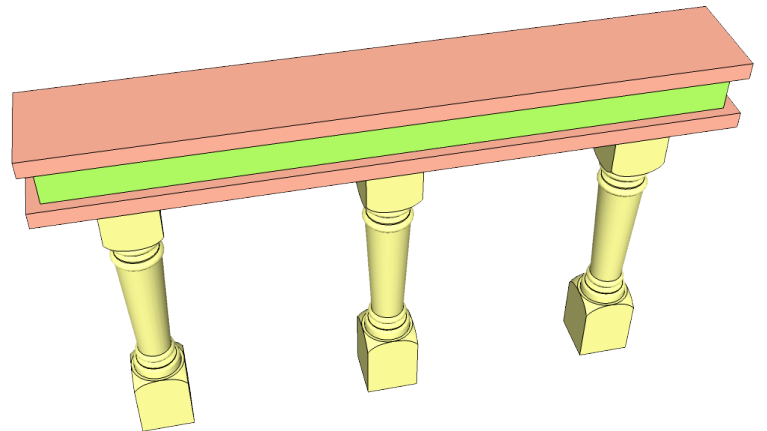
4

Attach one of your completed 2 x 4 assemblies to the 2 x 10 with 2-1/2" pocket hole screws as shown. The 2 x 4 assembly is centered on the 2 x 10.



5

Add another 2 x 10 board and secure it to the 2 x 4 boards with 2-1/2" screws. Because we are building the bottom first these screws will not be seen when we flip it over.

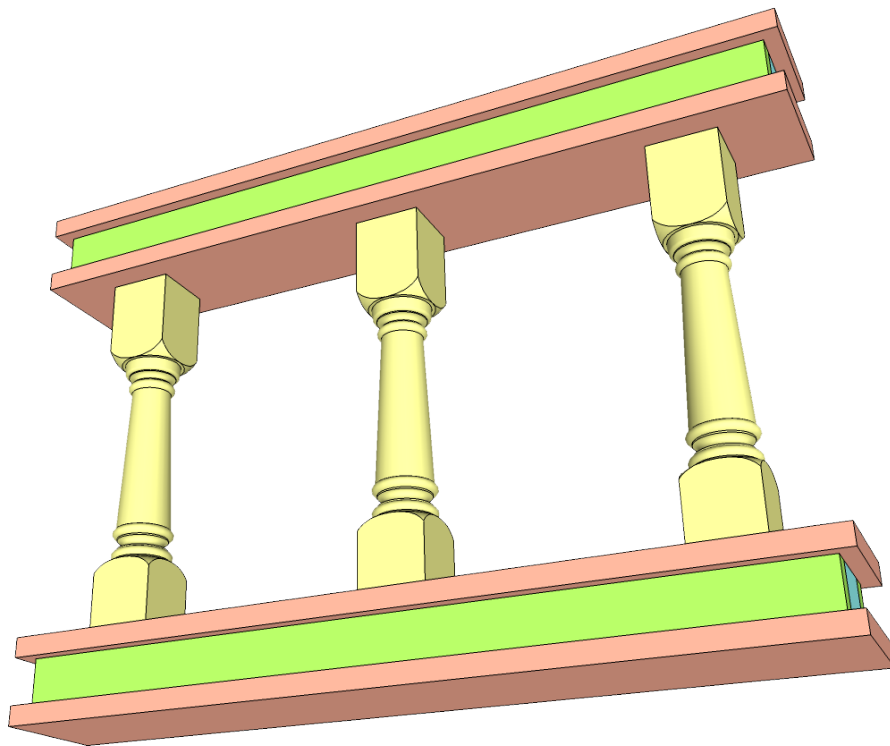
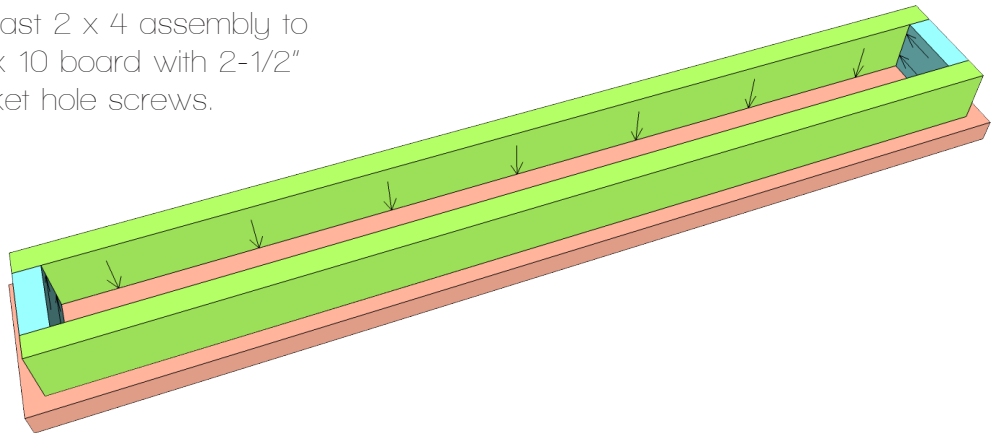


Flip the table over and attach another 2 x 10 board to the legs using the same spacing used in step 1. Use glue and at least two 3-1/2" SPAX screws per leg.

6

7

Attach the last 2 x 4 assembly to the last 2 x 10 board with 2-1/2" pocket hole screws.



8

And finally attach the assembly from step 7 to the top of the table. Secure it with 2-1/2" screws from the bottom of the 2 x 10 board into the 2 x 4 frame.

9

Sand your table and apply the finish of your choice. Add some accessories and show it off to all of your friends. Remember that if you decide to make one be sure to stop by our website and let us know!