

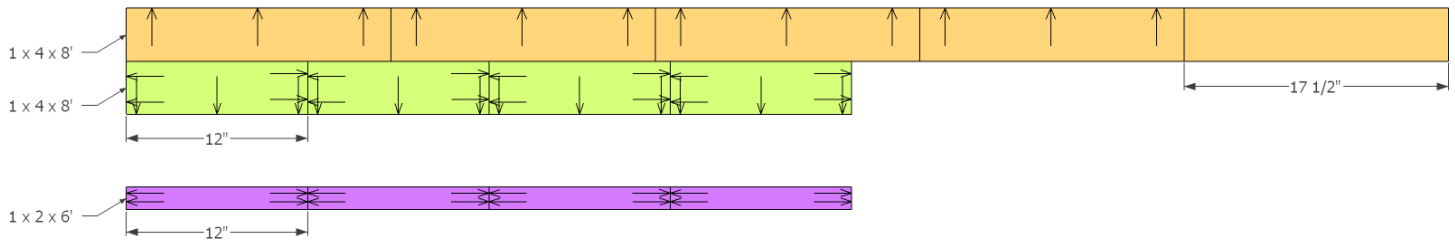
Easy DIY Bar Stool

Copyright © 2014 Shanty-2-Chic.com

Supply List

Item	Quantity	Description
1 x 4 x 8'	2	Pine or whitewood board
1 x 2 x 6'	1	Pine or whitewood board
1-1/4" pocket hole screws	59	Pine or whitewood board
Turned legs	4	See website article for the legs we used
Wood glue		
Finish of choice		

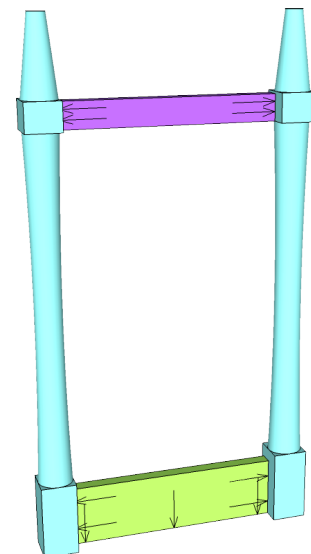
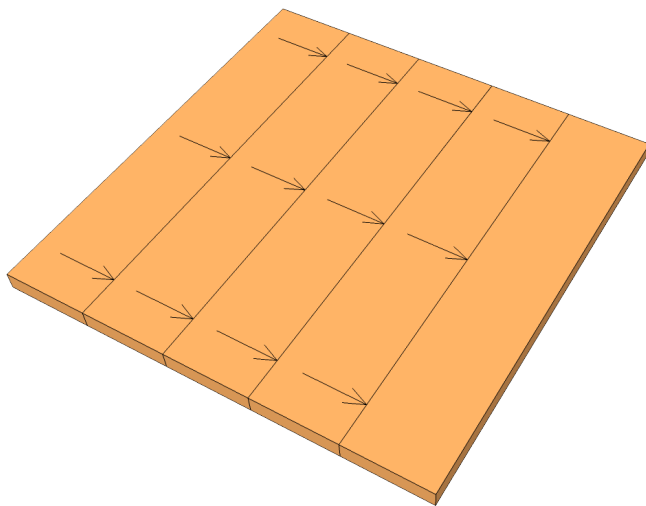
Drill pocket holes for 1-1/4" pocket hole screws as indicated by the arrows.



Use glue and 1-1/4" pocket hole screws to assemble the seat panel. All connections should be glued and screwed in this project. The bar stool will be assembled upside down.

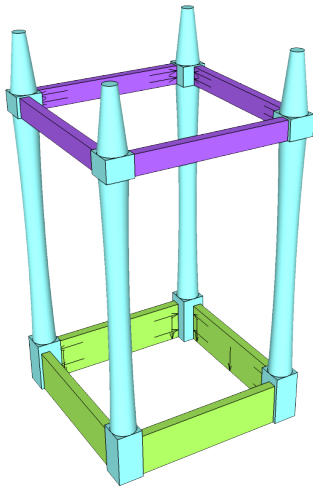


Make two leg assemblies by attaching two legs with the upper and lower rails. Make sure the pocket holes are facing the correct direction to attach the seat later.



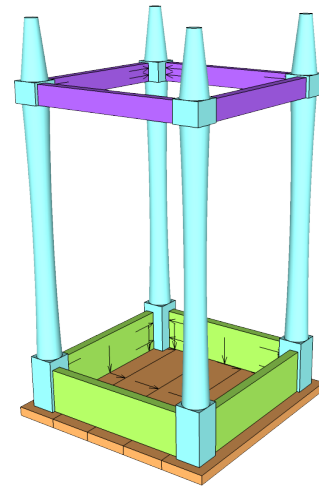
3

Join the two leg assemblies just as before.



4

Attach the seat panel and assembly is done.



5

Fill any pocket holes, sand, and finish as you wish. You can make this project unique by adding any extra moulding or decorative cutouts to the upper rails and you could also upholster a plywood seat if you wish. Remember that if you decide to make one of these be sure to stop by our website and let us know! We love seeing what everyone else comes up with!

