

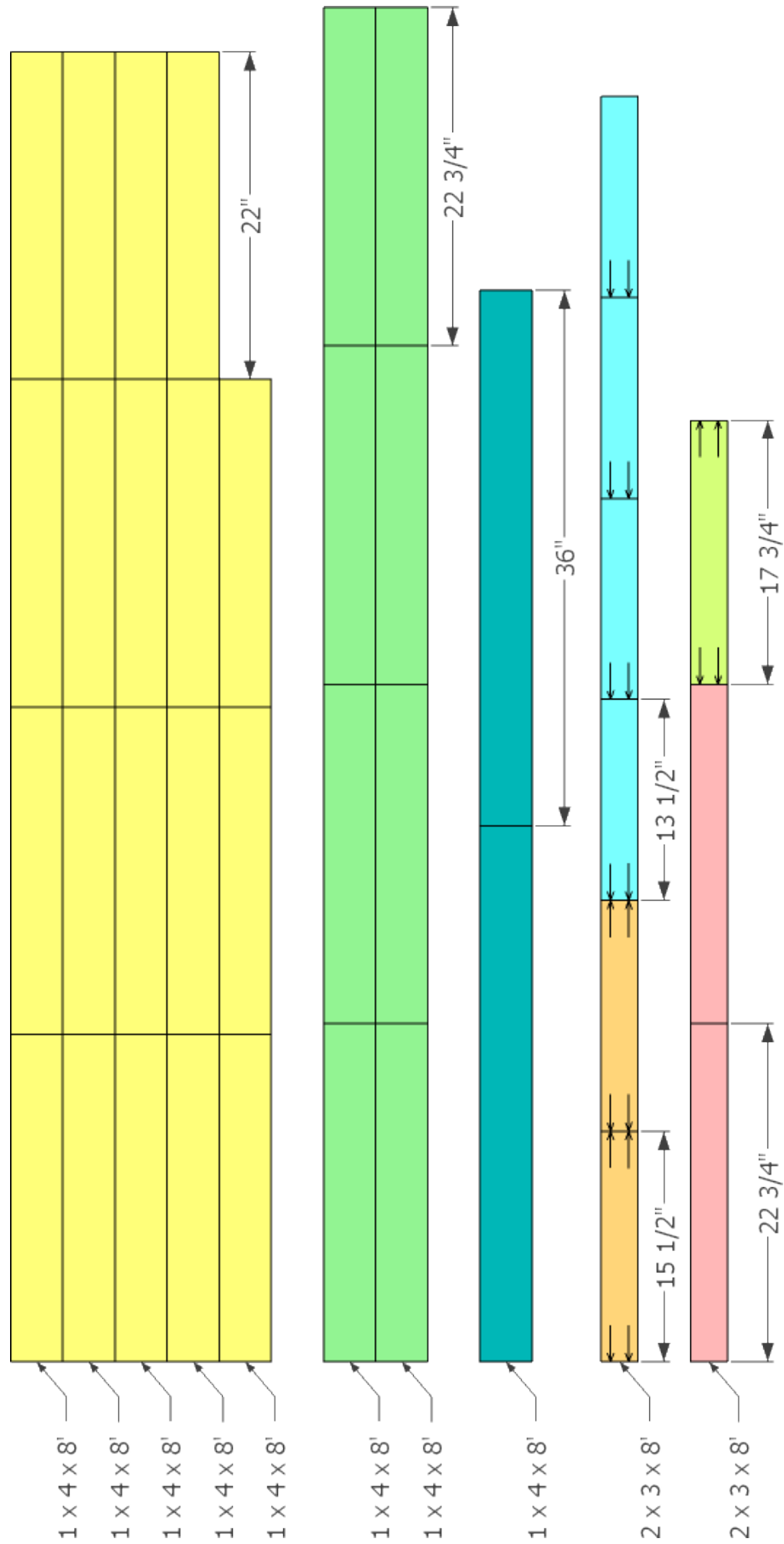
## DIY Modular Outdoor Seats

Copyright © 2014 Shanty-2-Chic.com

### Supply List

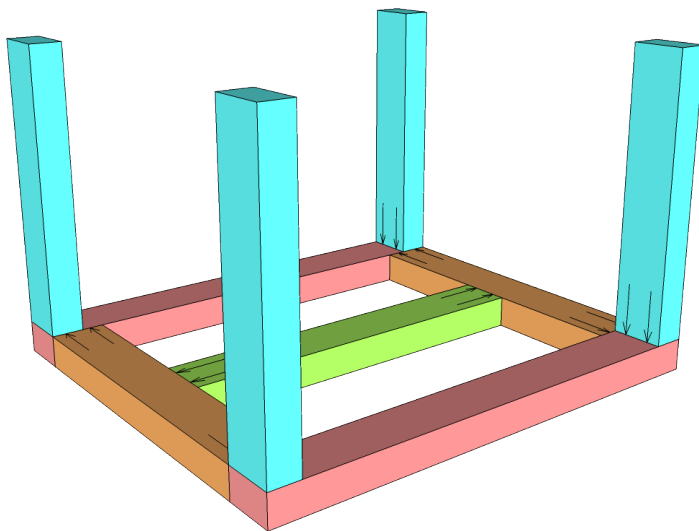
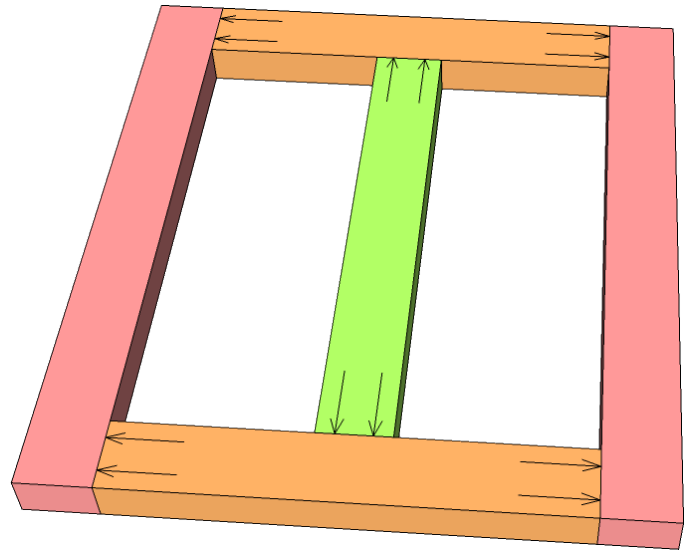
Item	Quantity	Description
1 x 4 x 8'	8	Subtract 3 if you don't want to build the back
2 x 3 x 8'	2	Pine or whitewood board
2-1/2" pocket hole scerws	20	
2-1/2" spax screws	handful	
Brad nails	handful	
Wood glue		
Finish of choice		

This is a modular design so feel free to build as many as you want with or without the back. You could even use one of these as a coffee table or ottoman! Drill pocket holes for 2-1/2" pocket hole screws as indicated by the arrows.



1

Assemble the seat frame with wood glue and 2-1/2" pocket hole screws. Use wood glue at every joint in this project. The center support is centered in the frame.

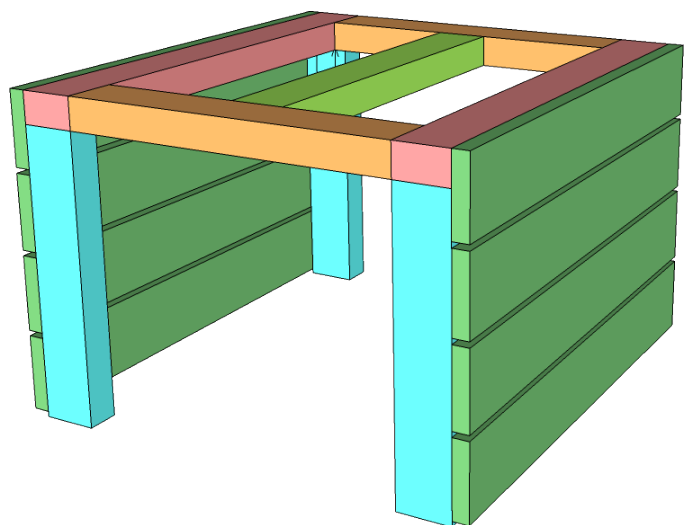


2

Attach the legs with 2-1/2" pocket hole screws as well.

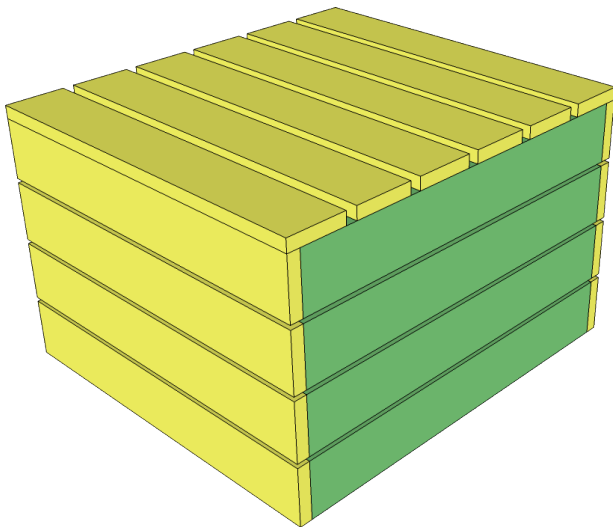
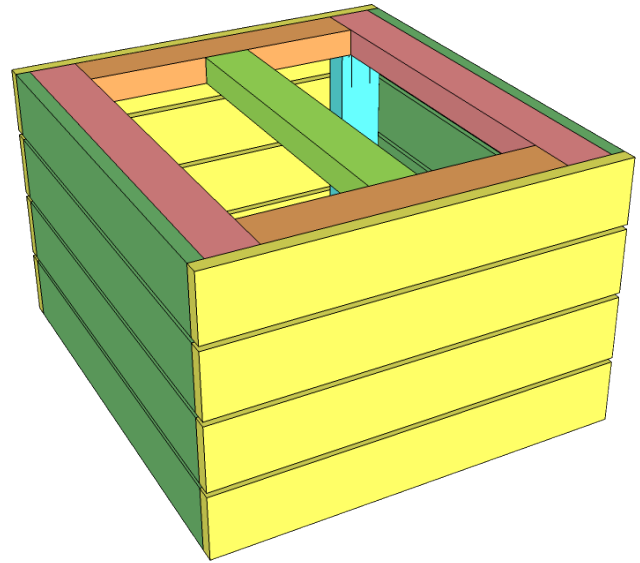
3

Attach the side boards with wood glue and brad nails. These boards are the same length as the long sides of the frame and are spaced 1/4" from each other starting from the top.



4

Rotate the assembly and attach your longer 1 x 4 pieces to the remaining two sides using the same spacing.

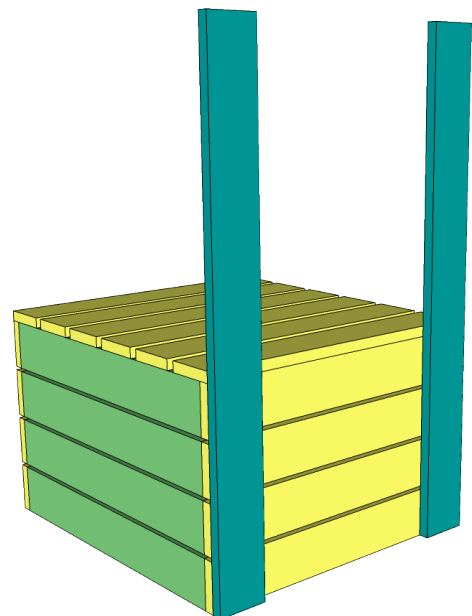


5

Add the top slats with a spacing of 3/4" between slats. If you don't want a back on your project you can call it complete at this step. You can use this as a regular seat, an ottoman, or a coffee table for your outdoor furniture.

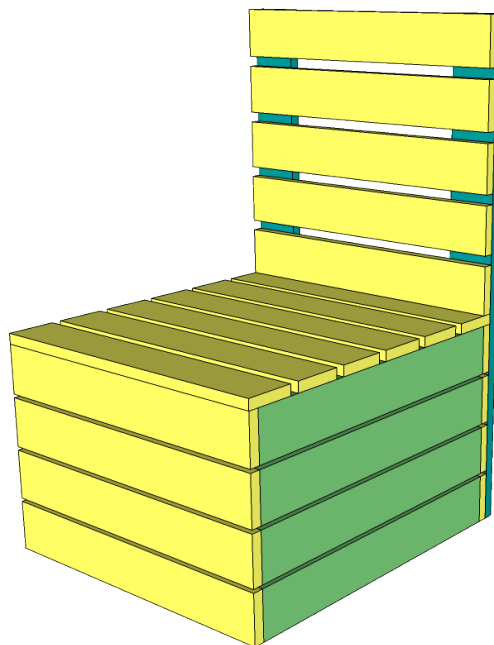
6

If you want to add a back to your project predrill and attach the back supports with 2-1/2" spax screws so that that they are flush with the bottom slat. Attach these to the longer side slats.





Finally add your back slats with even spacing in between and your done! Sand and finish as you wish!



Because this project is modular you can make as many as you want to suit your space. Get creative with it and have fun! If you do make some of these be sure to stop by our website and let us know!

