

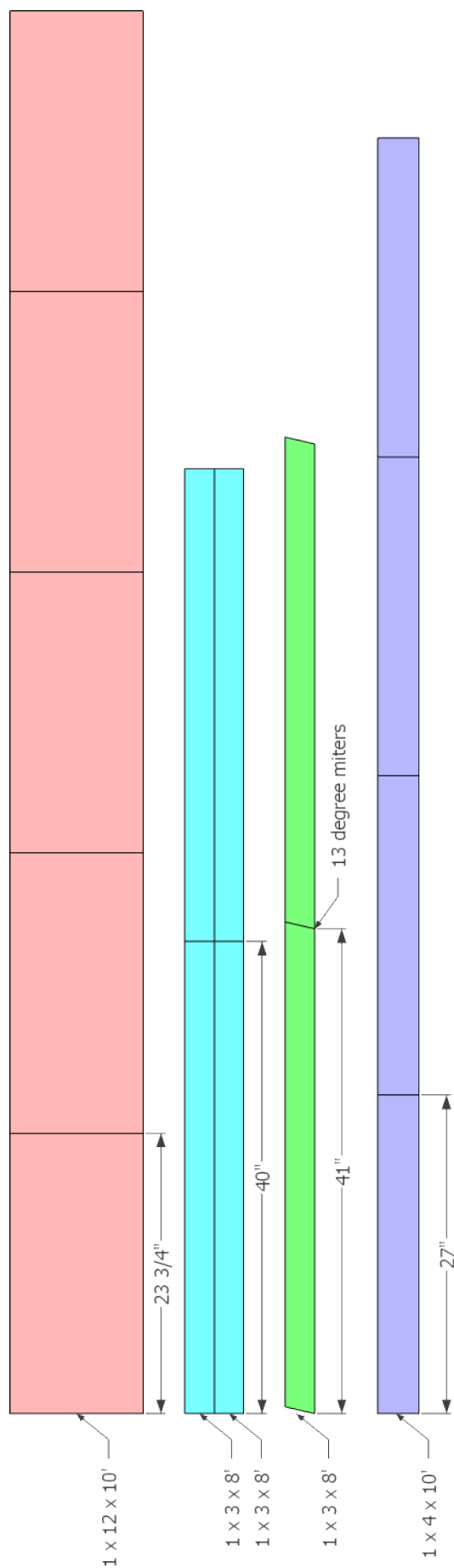
DIY Bookshelves

Copyright © 2014 Shanty-2-Chic.com

Supply List

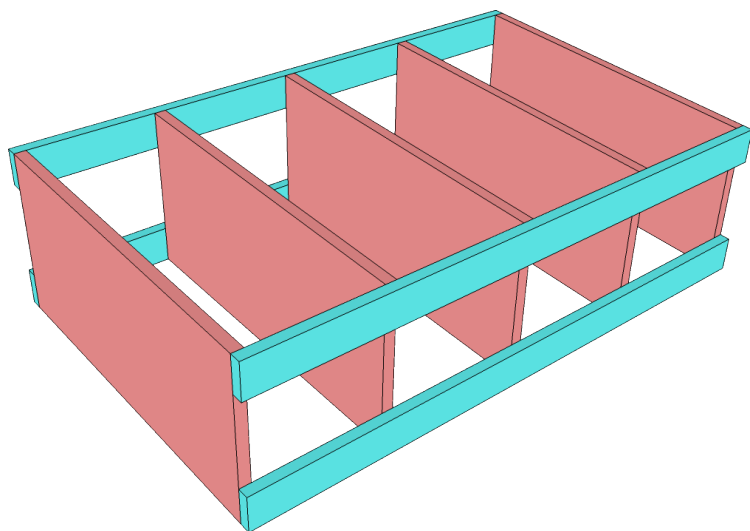
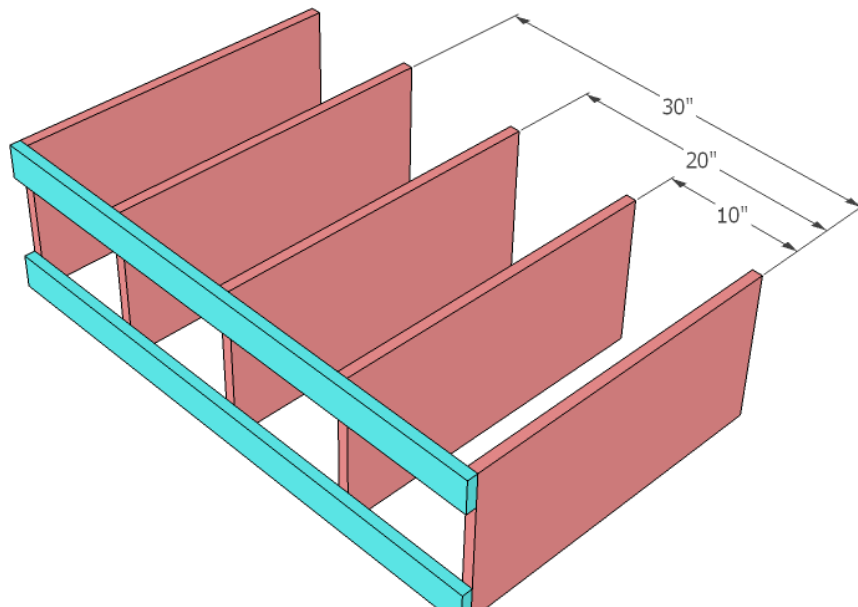
Item	Quantity	Description
1 x 12 x 10'	1	Pine or whitewood board
1 x 3 x 8'	3	Pine or whitewood board
1 x 4 x 10'	1	Pine or whitewood board
Finishing nails	handful	
Wood glue		
Finish of choice		

Use wood glue on every joint in this project.



1

This project is incredibly easy to make. Start by attaching two of the legs to one side of your shelves. Assemble these laying flat on the ground like the diagram. Space the boards every 10" on center. Glue and nail through the legs into the shelves.

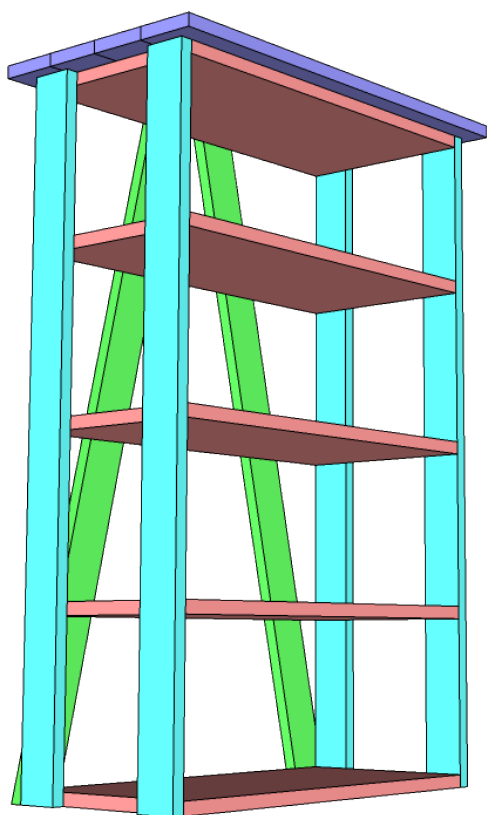
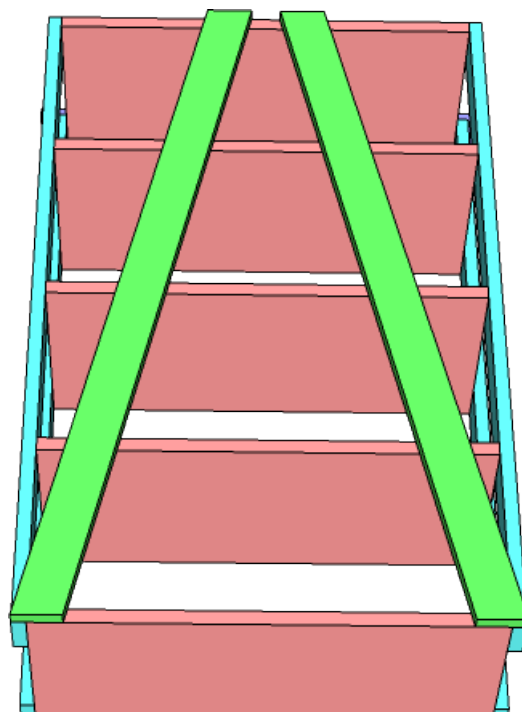


2

Now go to the other side and attach the other legs the same way.

3

Cut the 1 x 3 x 8' board for the diagonals in half first. Then position them the way you want them on the back of the bookshelf with the ends hanging off. Mark your cuts on the overhang and cut them off to your reference line. Then attach them with glue and nails. This step will greatly increase the stability of the bookshelf.



4

Center your top planks and attach them with nails from either the top or through the bottom side of the top 1 x 12 piece.

Fill any nail holes, sand, and finish as you wish. Fill it up with your favorite accessories and show it off! If you decide to make one of these be sure to stop by our website and let us know!