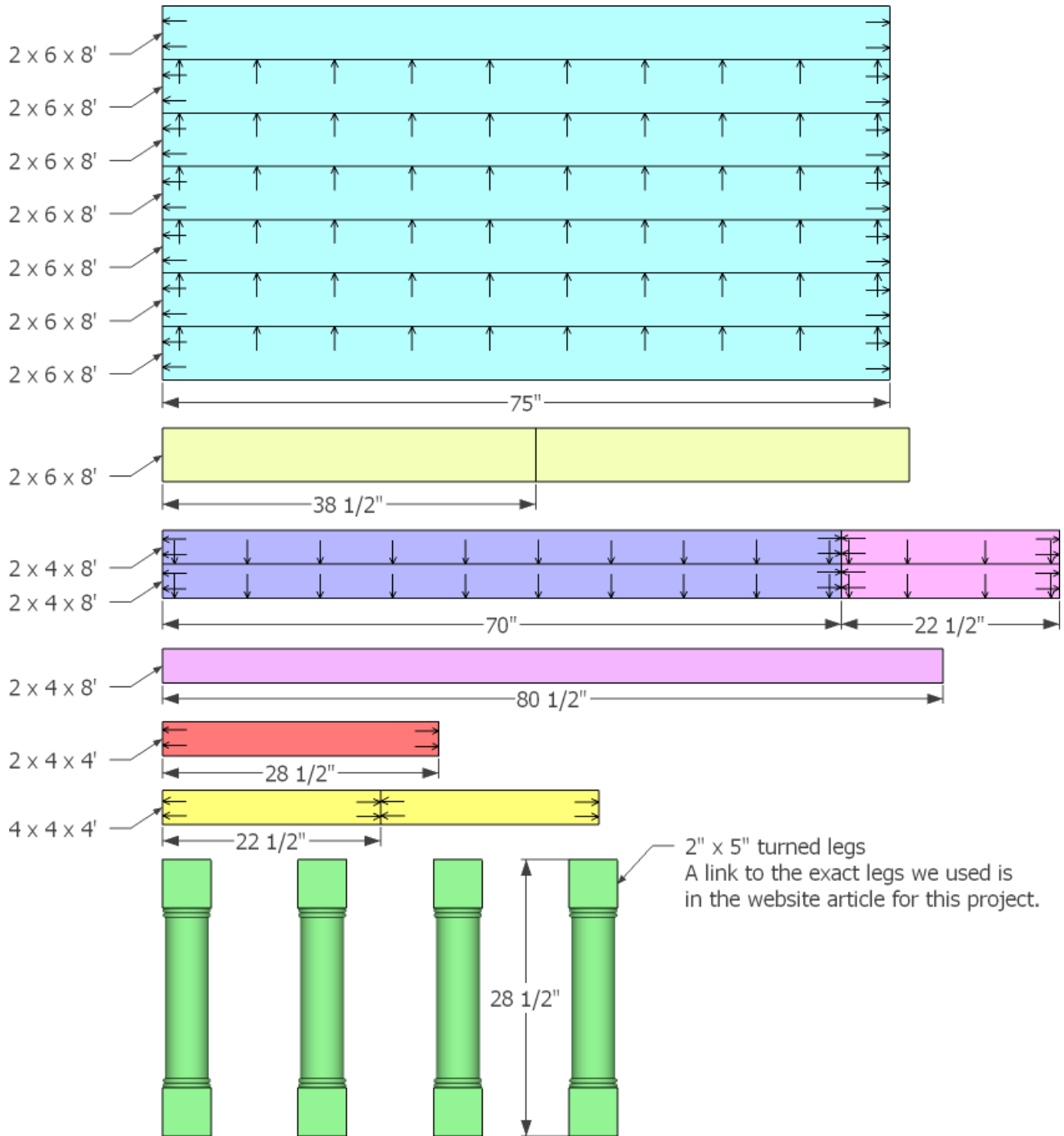


## Turned Leg Dining Table

Copyright © 2014 Shanty-2-Chic.com

### Supply List

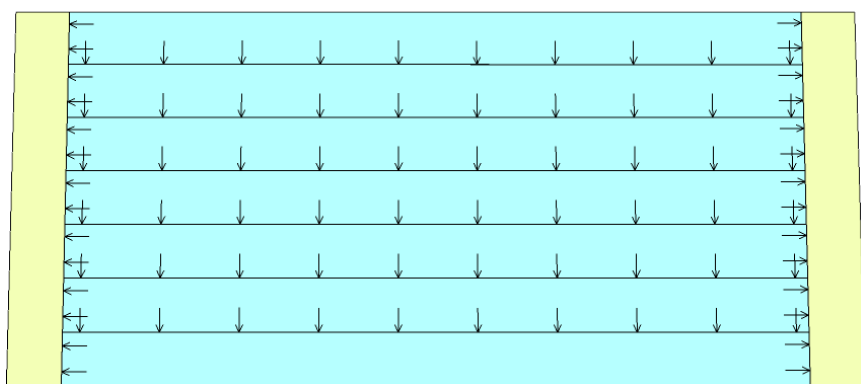
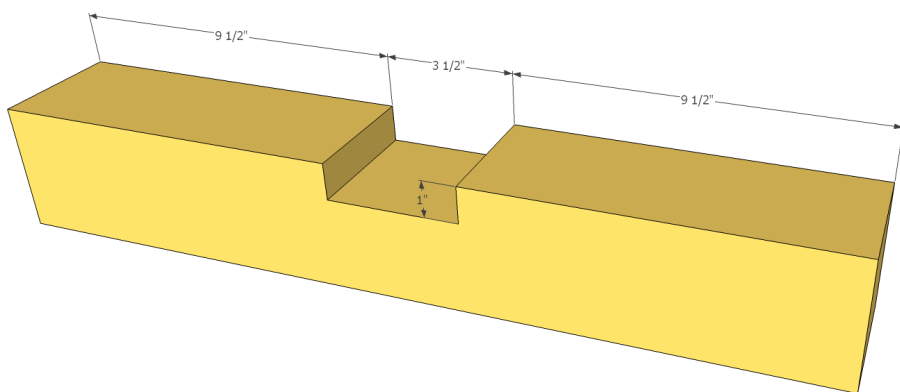
Item	Quantity	Description
2 x 6 x 8'	8	Pine or whitewood board
2 x 4 x 8'	3	Pine or whitewood board
2 x 4 x 4"	1	You only need 28-1/2" (check your scrap bin!!)
4 x 4 x 4"	1	Pine or whitewood board
5" x 5" x 28-1/2" turned legs	4	A link to the legs we used is in our project article
Wood glue		
2-1/2" pocket hole screws	140	
2" finish nails	few	To attach the long leg stretcher into the 4 x 4 notch



Drill for 2-1/2" pocket hole screws as indicated by the arrows.

1

On the opposite side of the 4 x 4 that has the pocket holes make a 1" deep notch wide enough for a 2 x 4. This can easily be done with a circular saw and a strait edge. Just make multiple passes to nibble away at the material.

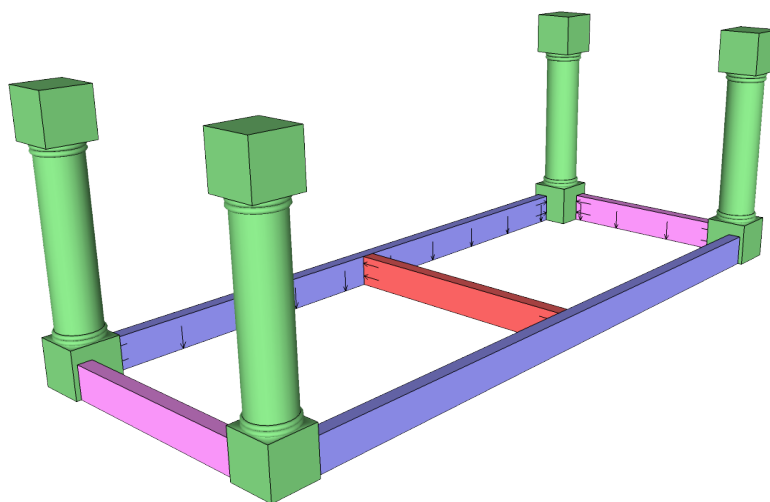


2

Assemble the table top with glue and 2-1/2" pocket hole screws.

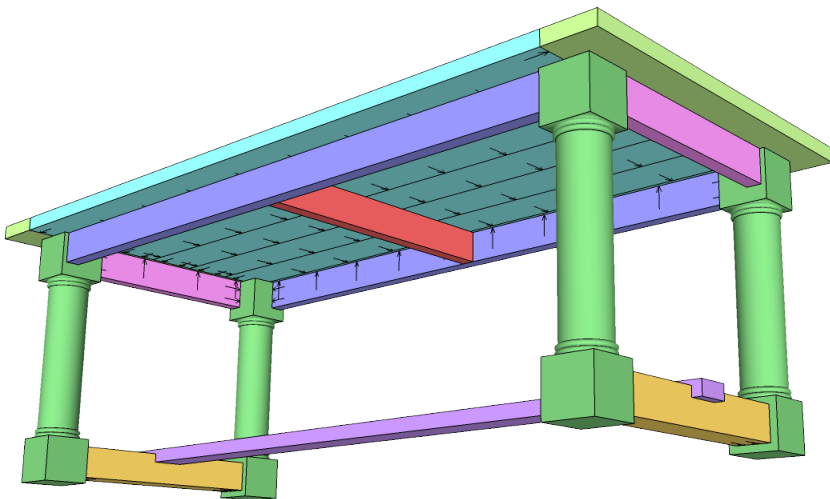
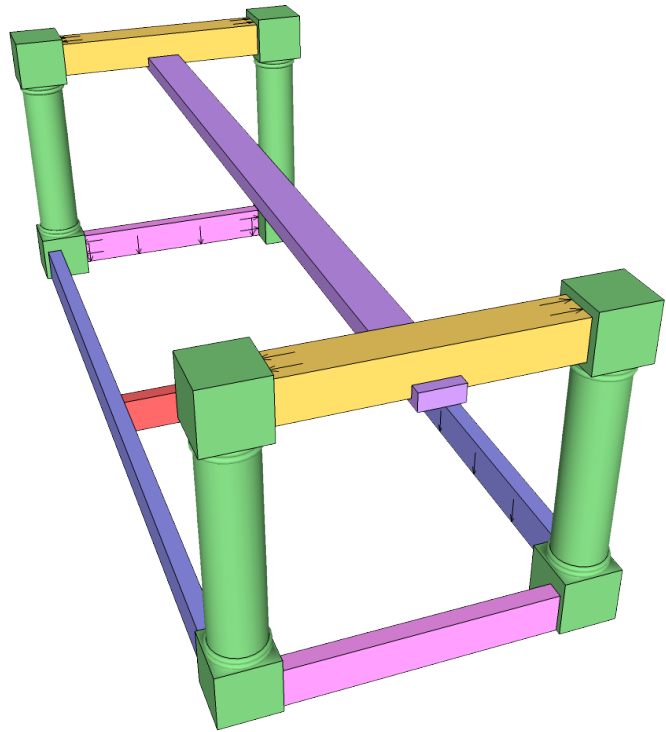
3

Assemble the base upside down. All of the rail pieces are inset 1/2" from the outside faces of the legs. Make sure the pocket holes are in the appropriate direction for installing the top later.



4

Add the 4 x 4 rails with the pocket holes facing the bottom of the feet. Then glue and secure your long leg stretcher into the notch. Secure it with 2" finish nails. At this point you can sand and finish the two assemblies before you put it in it's final destination.



5

After the finish has dried place the top on it's base and secure it with 2-1/2" pocket hole screws from below. If you decide to make one of these awesome tables be sure to stop by our website and let us know!