

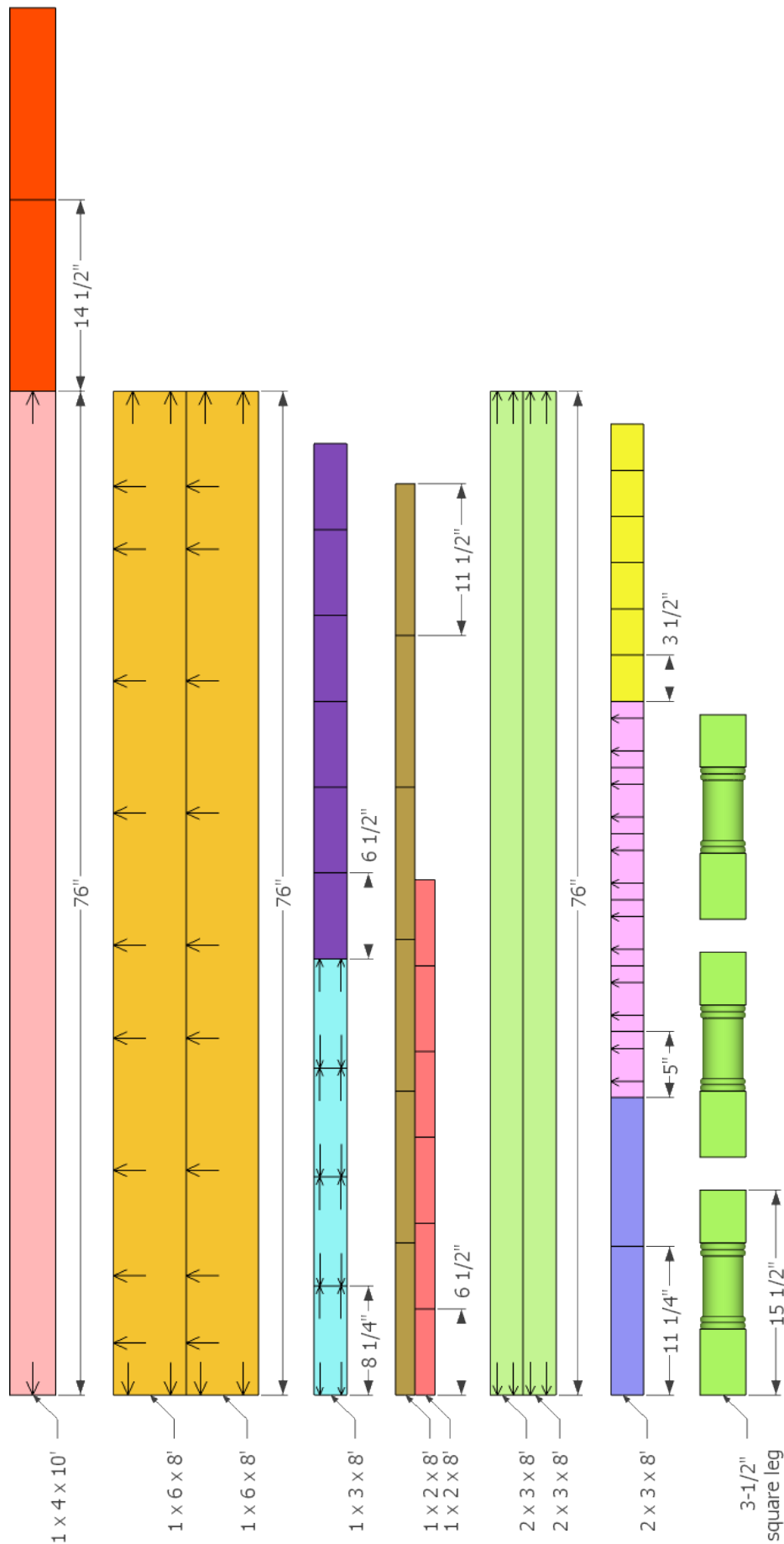
Three Leg Bench

Copyright © 2014 Shanty-2-Chic.com

Supply List

Item	Quantity	Description
1 x 4 x 10'	1	Pine or whitewood board
1 x 6 x 8'	2	Pine or whitewood board
1 x 3 x 8'	1	Pine or whitewood board
1 x 2 x 8'	2	Pine or whitewood board
2 x 3 x 8'	3	Pine or whitewood board
3-1/2" square x 15-1/2" leg	3	
Wood glue		
2-1/2" pocket hole screw	20	
1-1/4" pocket hole screw	44	
2" finish nails	handful	
Finish of choice		

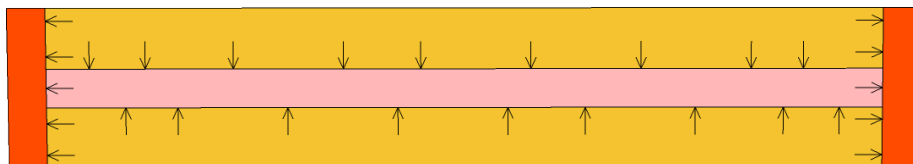
Drill pocket holes for 2-1/2" pocket hole screws in the 2 x material as indicated by the arrows. Drill pocket holes for 1-1/4" pocket hole screws in the 1 x material as indicated by the arrows.



1

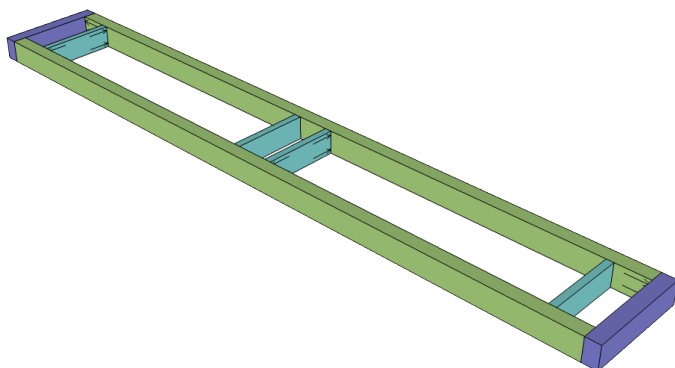
Assemble the bench top with wood glue and 1-1/4" pocket hole screws.

Start with the interior long pieces and add the breadboard ends last.



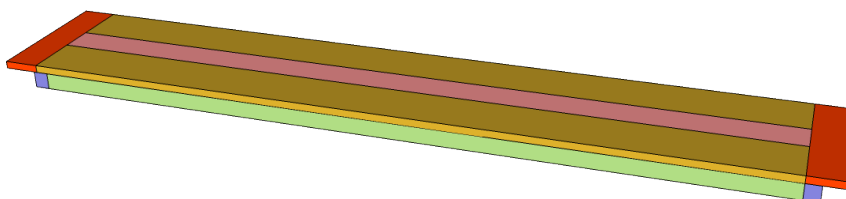
2

Assemble the bench frame with wood glue and pocket hole screws. Start with the perimeter using 2-1/2" pocket hole screws. Then add the interior braces. Each group of braces should leave a space the same width as the legs you are using. Use 1-1/4" pocket hole screws to secure the interior braces.



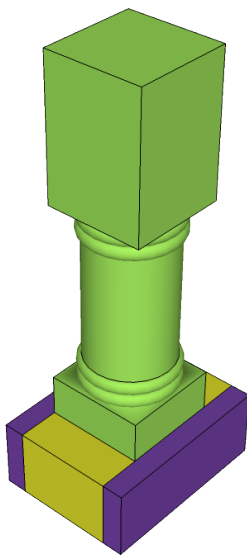
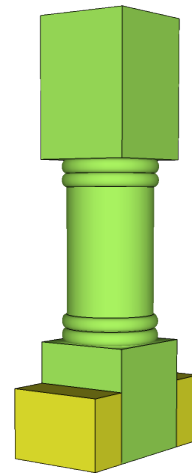
3

Center the top over the frame and secure it with wood glue and finish nails.



4

Start building the three legs. Glue and nail the first blocks in place,

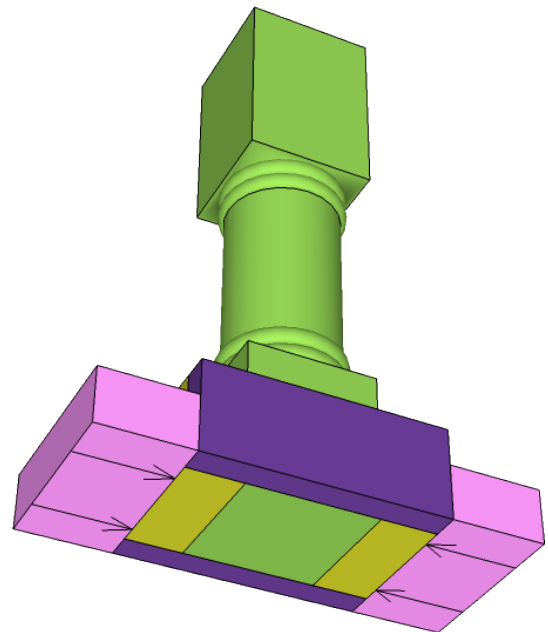


5

Glue and nail the second pair of blocks onto the other sides.

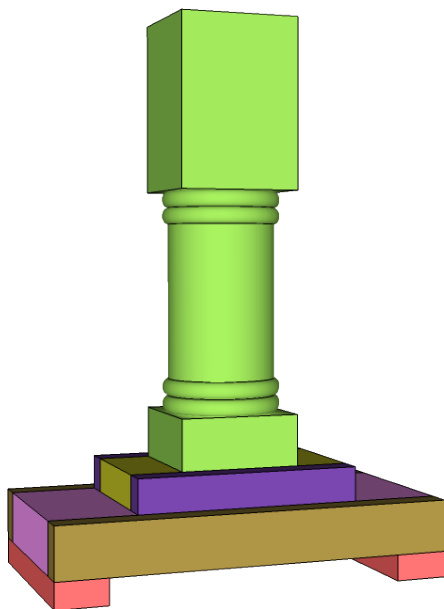
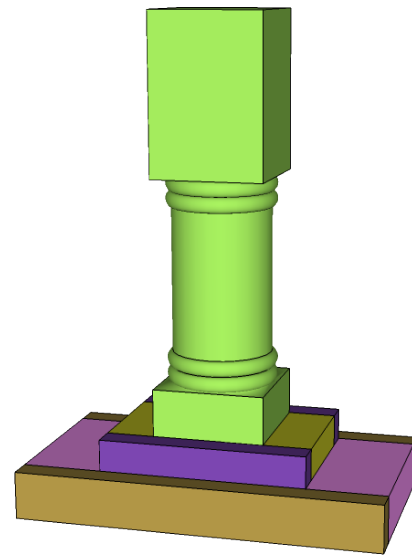
6

Using glue and 2-1/2" pocket hole screws attach the next blocks to the leg. Make sure the pocket holes are on the bottom.





Add the 1 x 2 trim pieces to the long sides of the legs with wood glue and finish nails.



Finish the legs by adding the foot pads to the bottom with wood glue and finish nails. Make sure the nail heads are not sticking out or it will scratch your floor!



Secure the legs to the rest of the bench with wood glue and finish nails. Make sure to very carefully flip the bench over so all of the legs are sitting flat on the ground as the glue dries. Fill any nail holes, sand, and finish as you wish! If you decide to make one of these benches be sure to stop by our website and let us know!

