

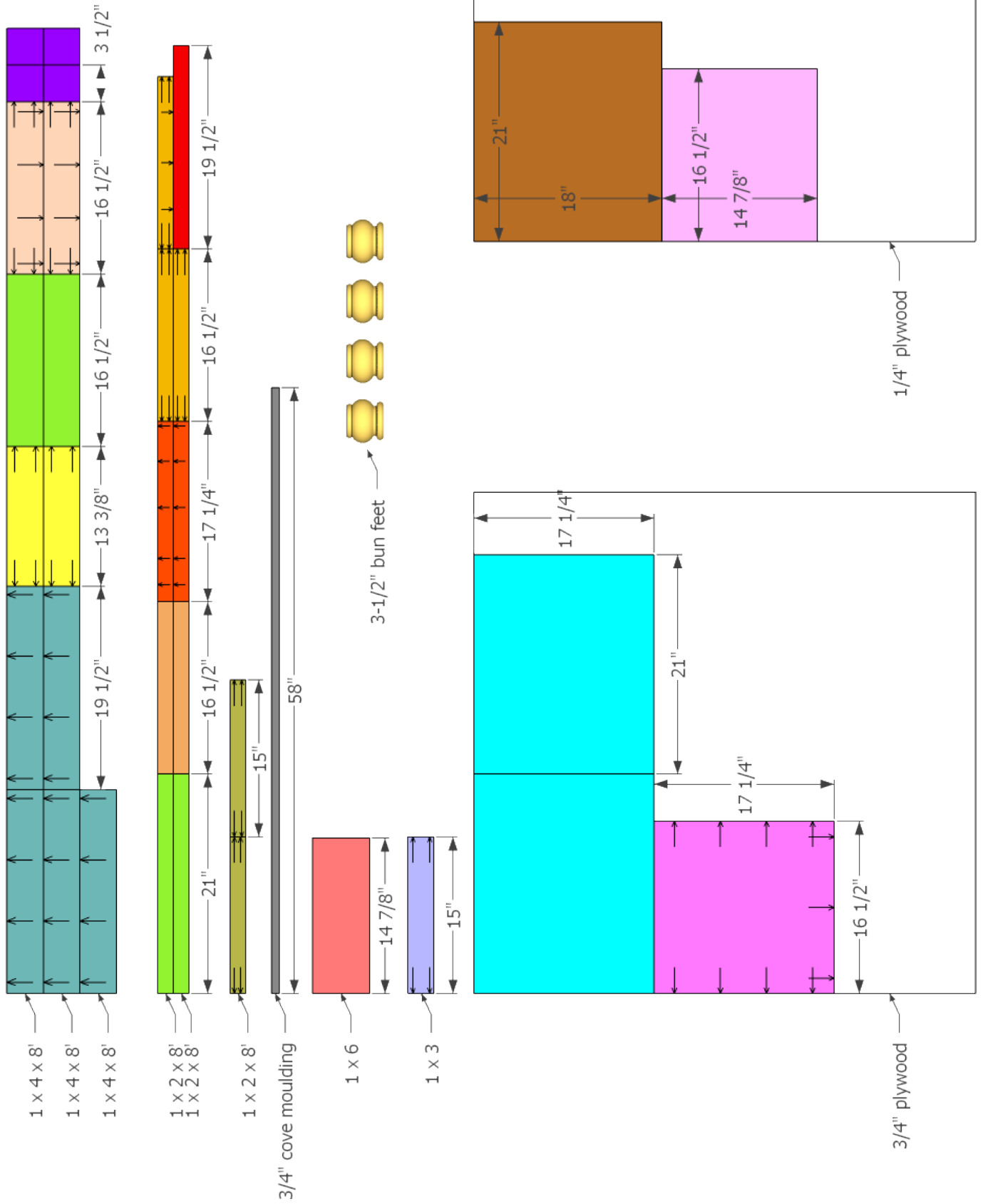
Bun Feet Nightstand

Copyright © 2015 Shanty-2-Chic.com

Supply List

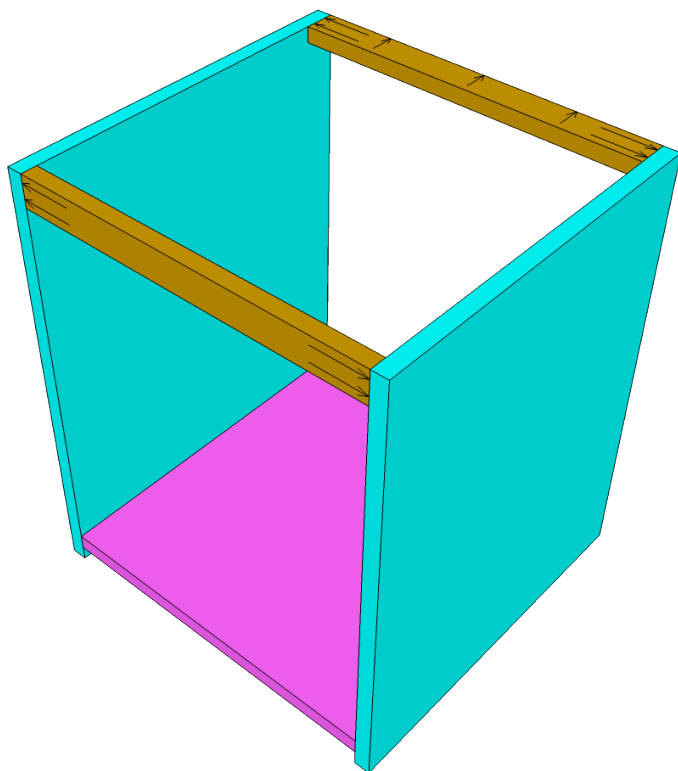
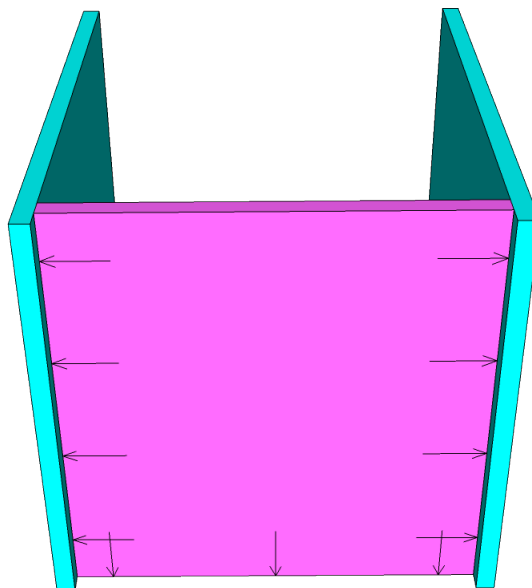
Item	Quantity	Description
48" x 48" x 3/4" plywood	1	
24" x 48" x 1/4" plywood	1	
1 x 4 x 8'	3	Pine or whitewood board
1 x 2 x 8'	3	Pine or whitewood board
3/4" x 8' cove moulding	1	
1 x 6 x 15"	1	Pine or whitewood board
1 x 3 x 15"	1	Pine or whitewood board
3-1/2" bun feet	4	
Wood glue		
1-1/4" pocket hole screws	92	
Brad nails or finish nails	handful	
Drawer pull	1	
Finish of choice		

Drill pocket holes for 1-1/4" pocket hole screws as indicated by the arrows. These measurements are exact for this model. Measure and cut as you go to make sure everything lines up perfectly with your project.



1

Use wood glue at every joint in this project. Attach the bottom panel to the sides with 1-1/4" pocket hole screws making sure the pocket holes are facing down. The top of the bottom panel is 1-1/2" from the bottom of the sides.

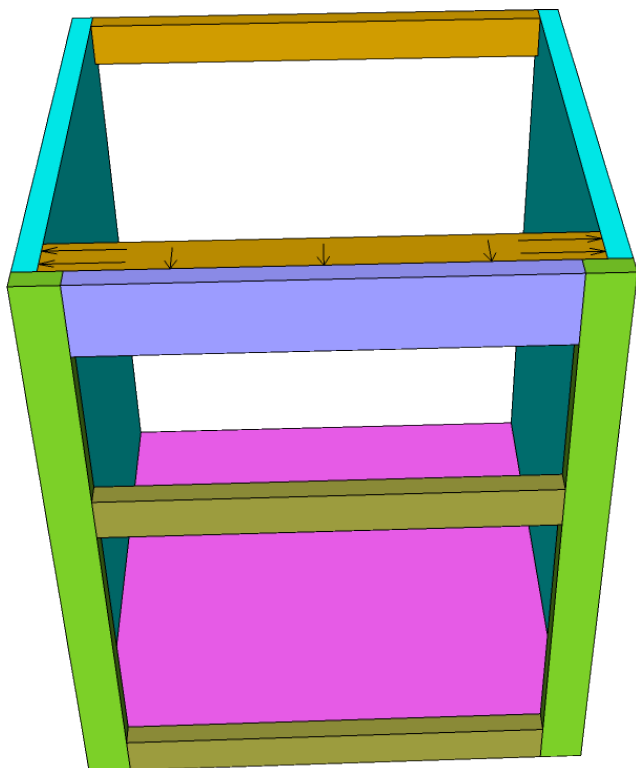
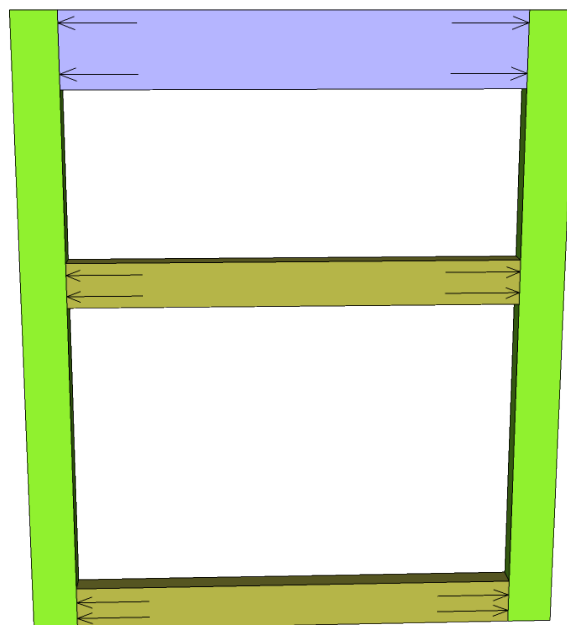


2

Attach the top front and back braces. The front brace should be horizontal and the back brace should be vertical. Make sure the pocket holes are facing the outside of the cabinet.

3

Assemble the front faceframe. There should be a 5-5/8" gap between the top two pieces.

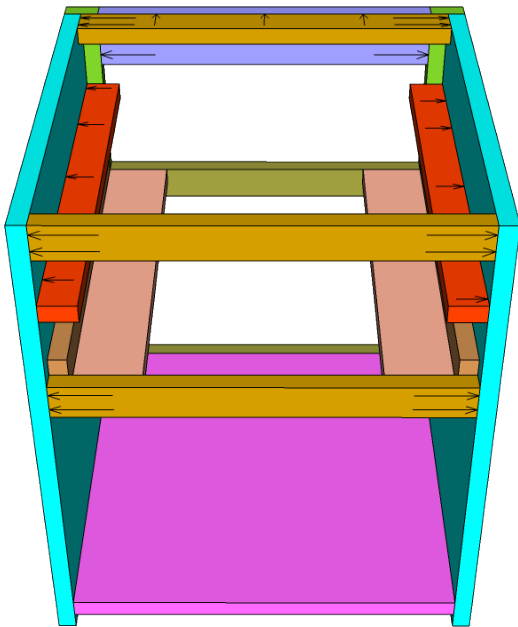
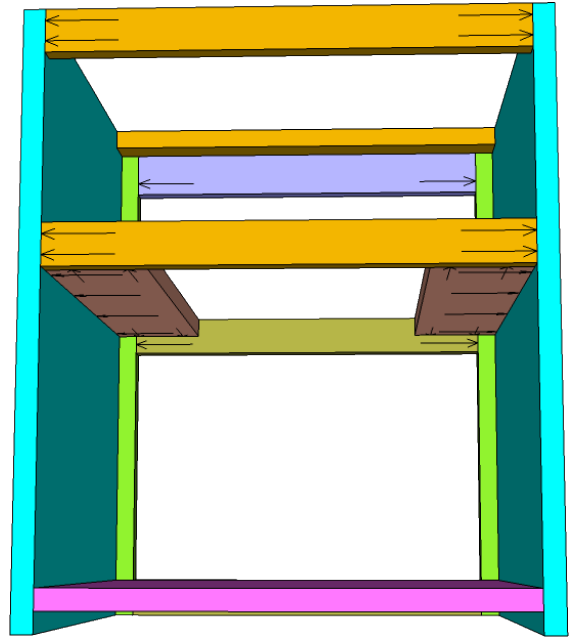


4

Attach the front face frame to the front of the case. Secure it with brad nails on the side panels and pocket hole screws from the bottom panel and top brace.

5

First, attach the horizontal boards for the drawer to run across with pocket hole screws. These should be horizontal and start at the bottom of the drawer opening and go back. Then attach the final cabinet back brace to the sides with pocket hole screws. The bottom of the brace should line up with the bottom of the drawer runners.

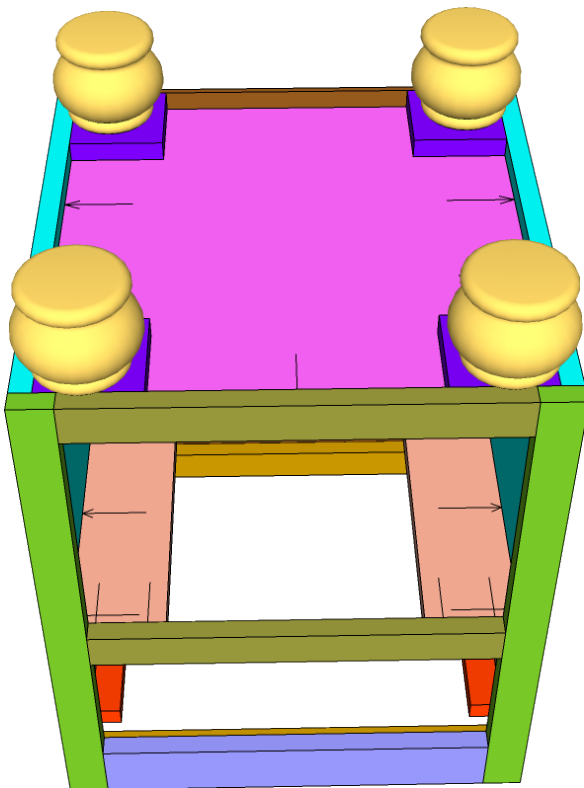
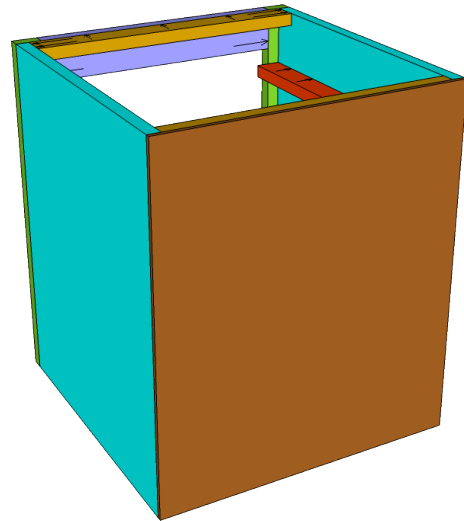


6

Add the 1 x 2 spacers to the side of the drawer opening with wood glue and brad nails to keep the drawer tracking front to back. Then add the top drawer slides 3-5/8" above the drawer runners with pocket hole screws into the side panels.



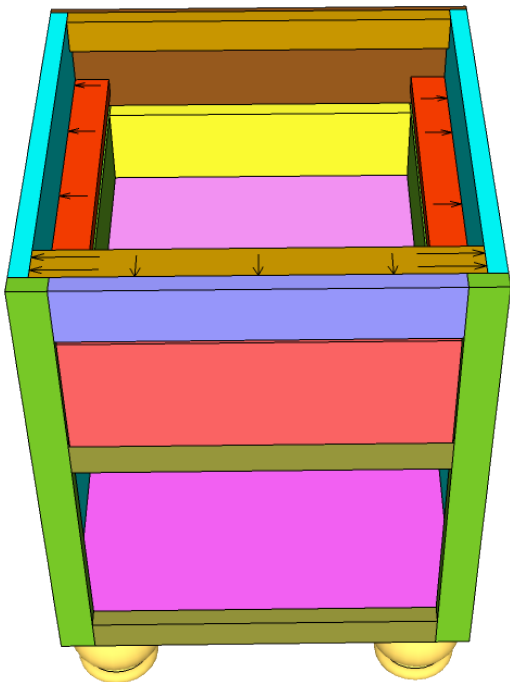
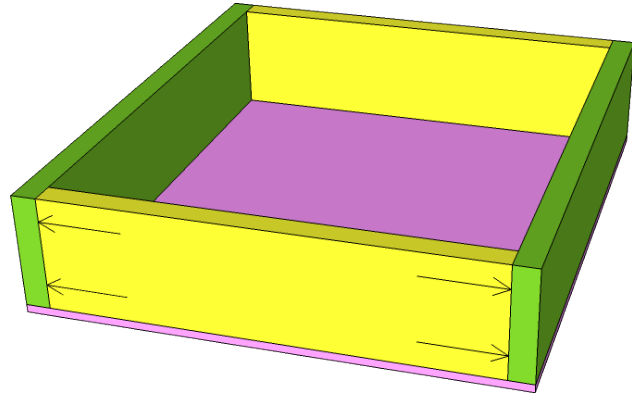
Attach the back with brad nails.



Flip the cabinet upside down and use glue and brad nails to attach the feet support blocks. Then attach the bun feet as needed.

9

Assemble the drawer box with glue and 1-1/4" pocket hole screws. Then attach the drawer bottom with wood glue and brad nails.

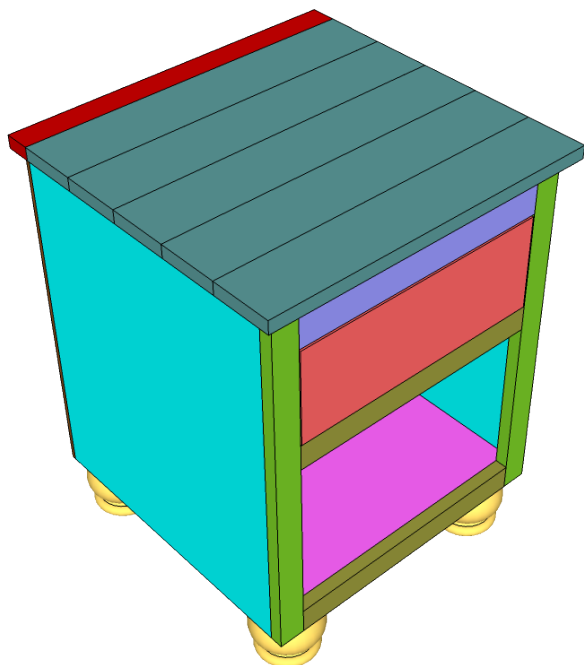
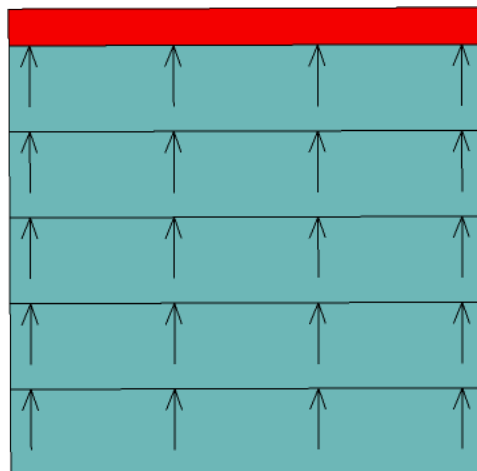


10

Install the drawer and add the drawer front. Add your drawer pull to the drawer as well.

11

Assemble the top planking with wood glue and 1-1/4" pocket hole screws.



12

Attach the top planking to the cabinet with wood glue and brad nails or finish nails.

13

Cut and install the cove moulding below the top. Fill any nail holes, sand, and apply your finish of choice. We hope you are able to make this super easy nightstand and if you do make one be sure to show it off on the reader projects section on website!!

