

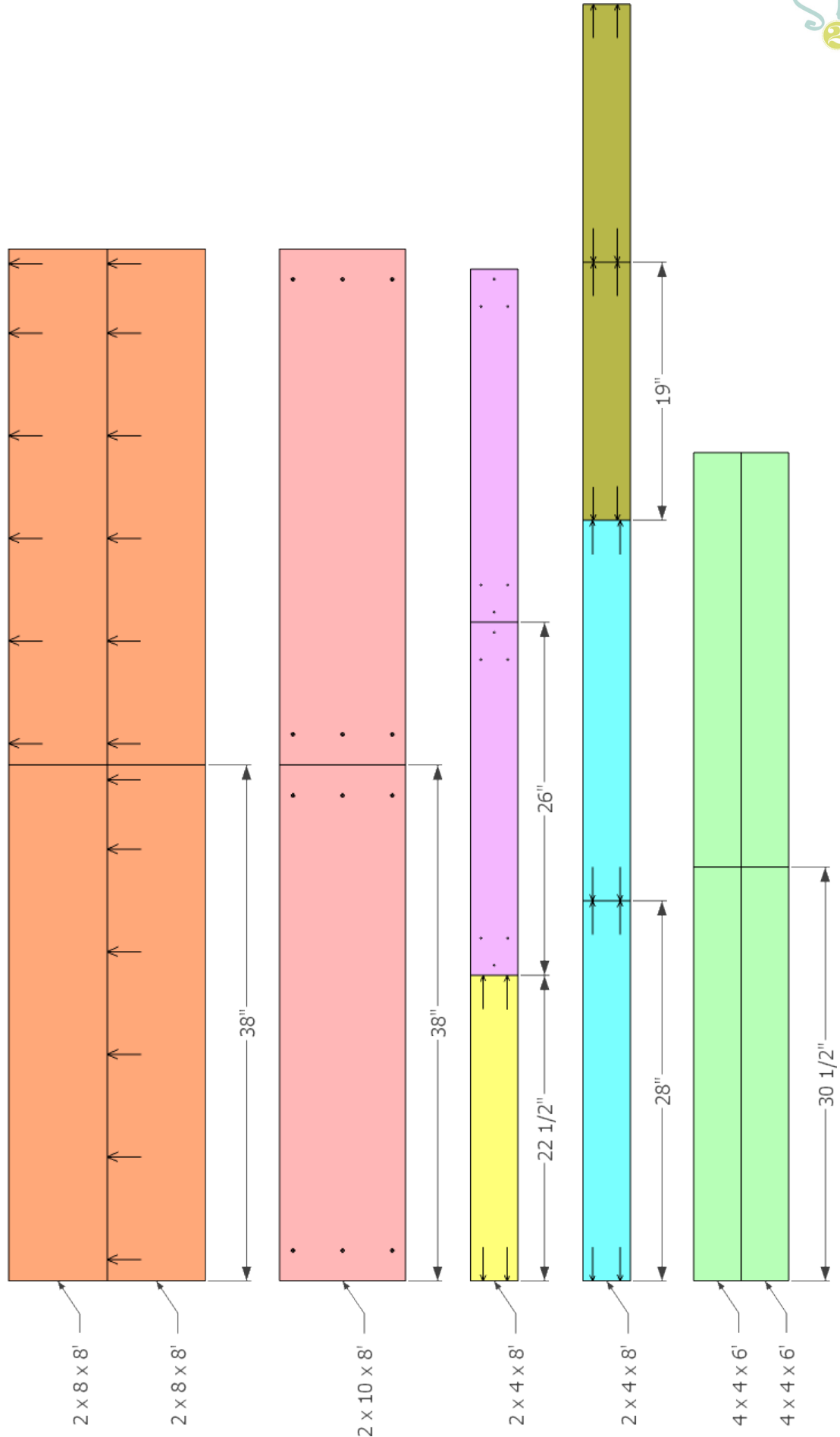
## Rolling Kitchen Island

Copyright © 2015 Shanty-2-Chic.com

### Supply List

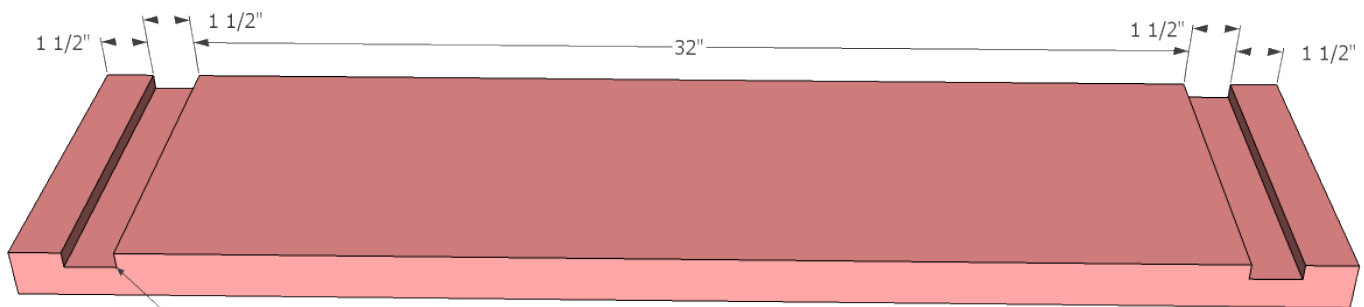
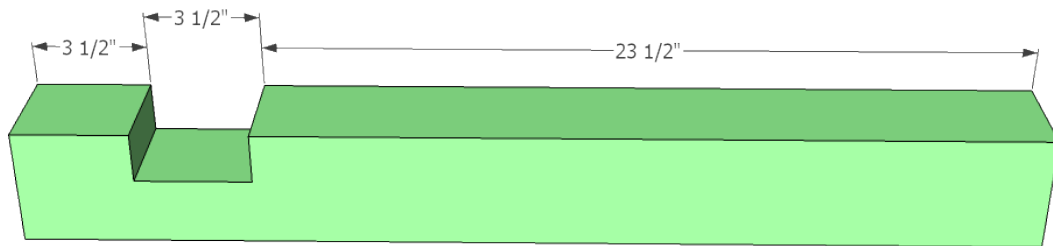
Item	Quantity	Description
2 x 8 x 8'	2	Pine or whitewood board
2 x 10 x 8'	1	Pine or whitewood board
2 x 4 x 8'	2	Pine or whitewood board
4 x 4 x 6'	2	Pine or whitewood board
Wood glue		
2-1/2" pocket hole screws	38	
Figure 8 table top fasteners	12	For attaching the top
2-1/2" wood screws	24	
4" casters	4	
Finish of choice		
1" wood screws	12	For attaching the top

Drill pocket holes for 2-1/2" pocket hole screws as indicated by the arrows.

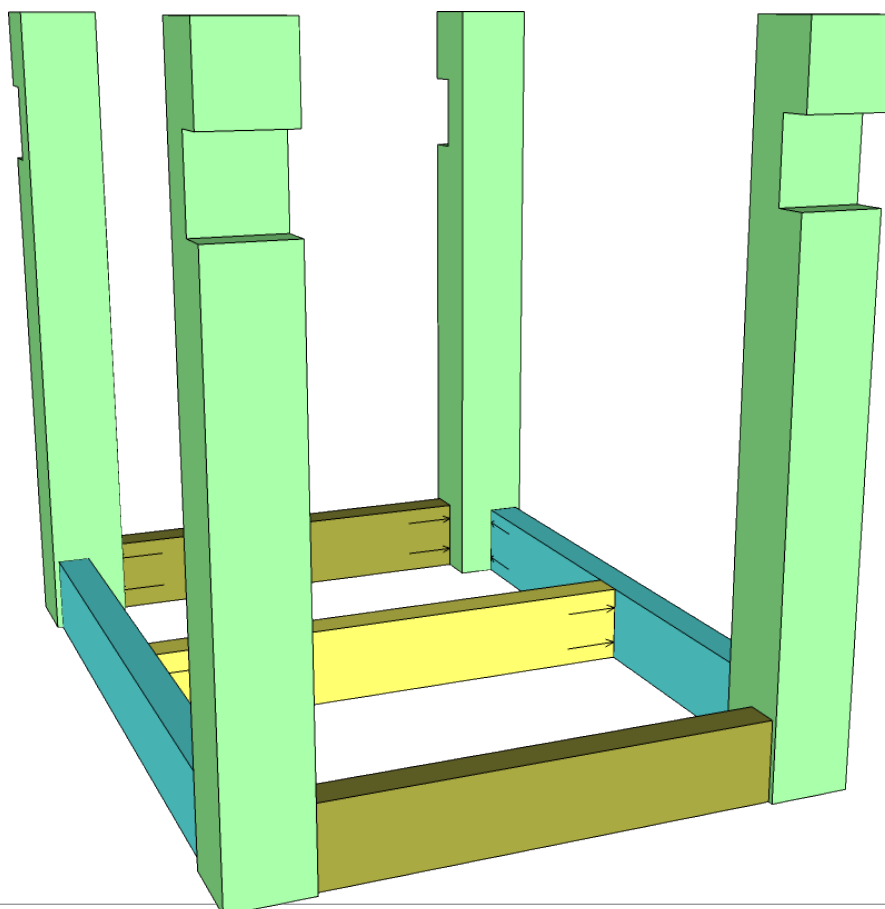


1

With a circular saw cut out a notch on each of the four legs. Use a speed square to guide the saw straight and remove all of the material with multiple passes. The lower shelves will be notched the same way but don't cut them just yet. Make sure you get the exact dimensions from your project at step 4.



Notches on these boards are 1/2" deep

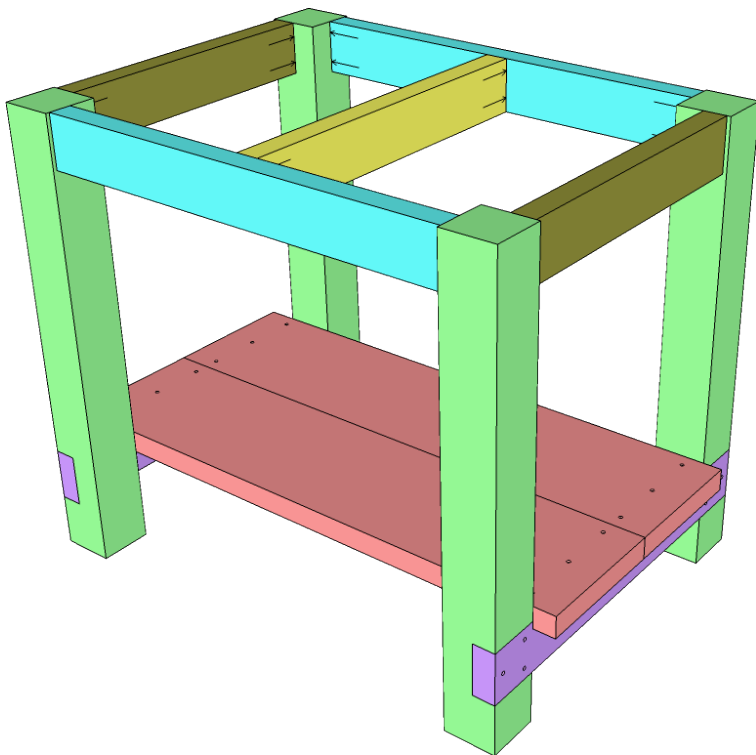
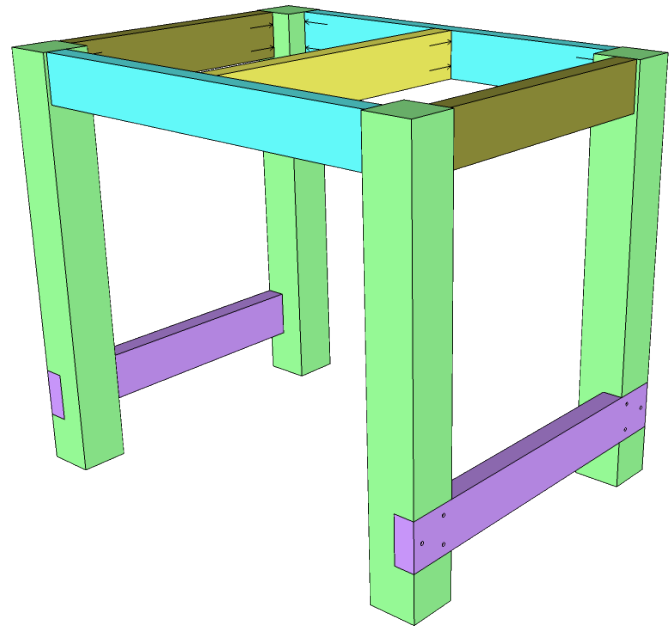


2

With the leg notches facing out assemble the island upside down with glue and 2-1/2" pocket hole screws. The rails should be 1/4" inset from the outside of the legs.

3

Carefully flip the table over and install the lower leg rails inside the notches with glue and three 2-1/2" screws at each leg. Make sure you predrill for these screws so you don't split the wood.

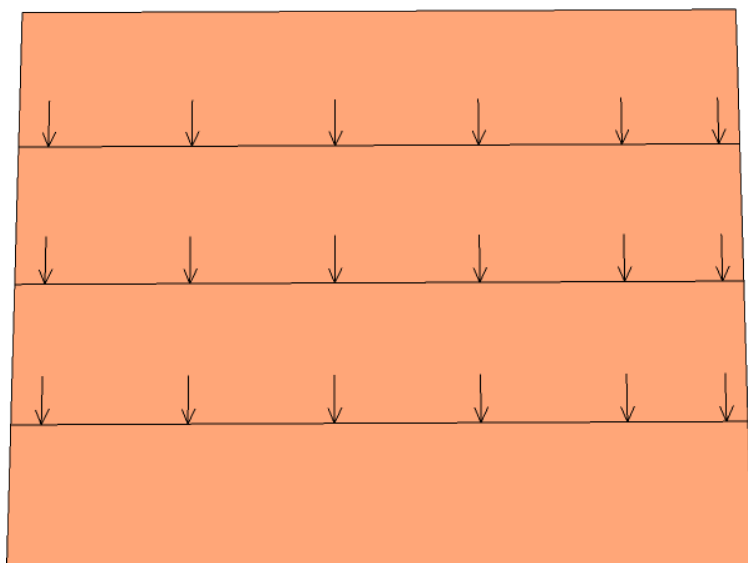
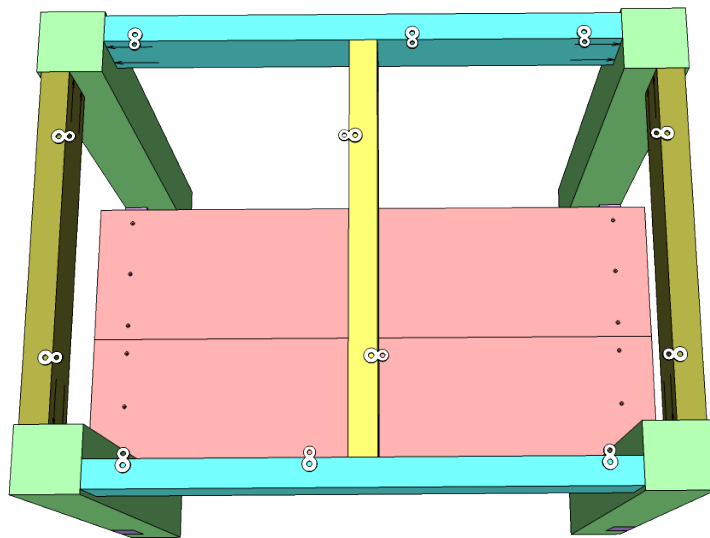


4

Measure and mark the appropriate dimensions for the notches on the bottom of the lower shelves. Once the notches are cut install them over the lower leg rails and secure them with wood glue and 2-1/2" wood screws.

5

Using the appropriate size forstner bit for the figure 8 table top fasteners drill holes on top inside of the table rails that are as deep as the thickness of the fasteners. Then screw them into place with the small side overhanging into the middle of the table area. If you are viewing this on a computer or tablet [CLICK HERE](#) to see a brief demonstration on YouTube.

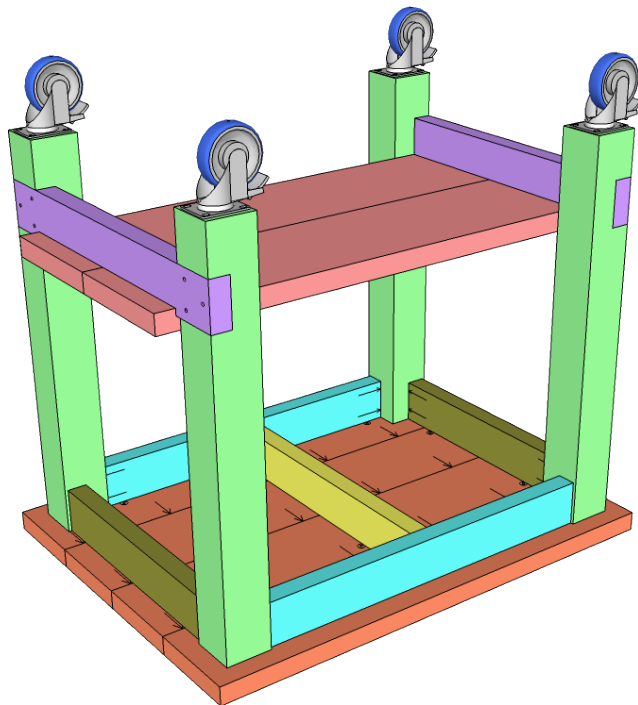
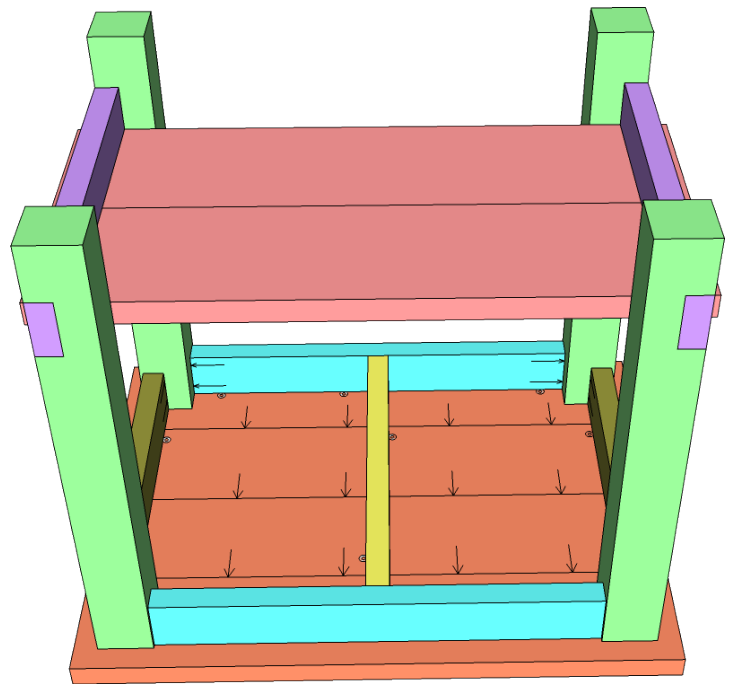


6

Assemble the table top with wood glue and 2-1/2" pocket hole screws.



Carefully flip the table over onto the top assembly and secure it with 1" screws.



Attach the casters to the bottom of the legs. Sand and finish as you wish! If you make this super easy kitchen island or your own version of it be sure to stop by our website and post it in the Submit Your Project section!