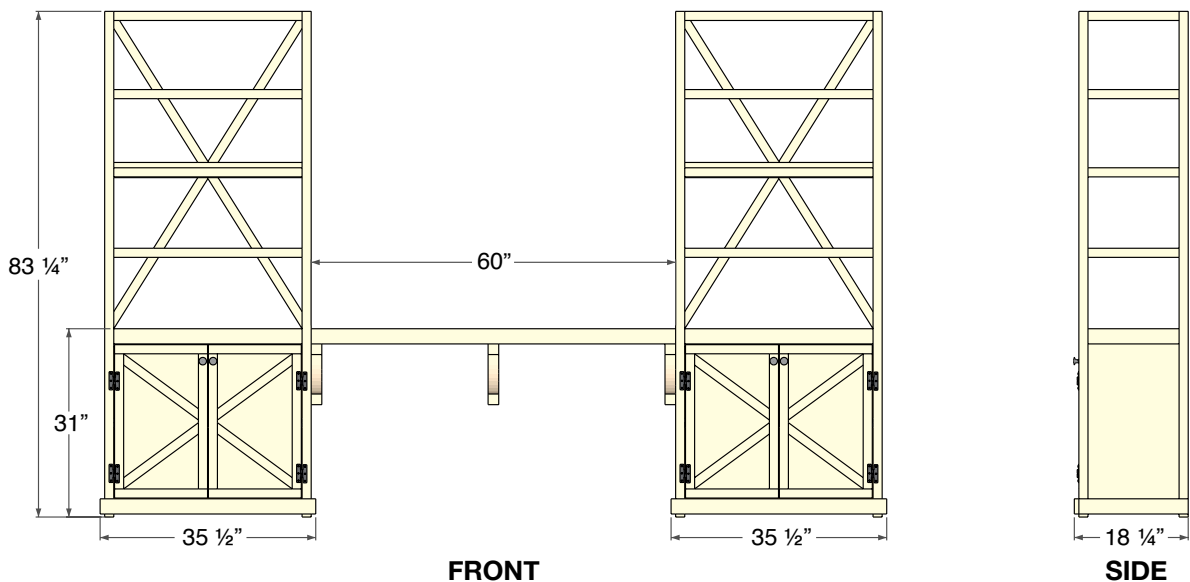


# Office Desk

*T*his simple yet elegant desk is straightforward in its beauty and functionality. Super simple to build, as in an afternoon at most, yet commands attention just the same. Works on it's own but flourishes with it's accompanying towers; perfectly designed to coincide with the adjacent shelving. No matter how you go about it you can't go wrong with this project.

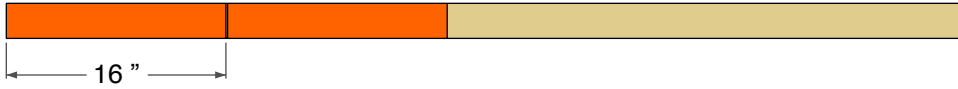


Make sure you read through the instructions carefully and take notice of any special construction notes prior to making any cuts. And always practice safe DIY'ing. Have fun!

**PLEASE NOTE - many pieces may require you to cut them to fit a certain size while you are building it. Its best not to cut pieces until you need them. Take your time and study all the diagrams.**

### CUT LIST

1" x 3" x 8'  
(optional)



2" x 3" x 8'  
(optional)



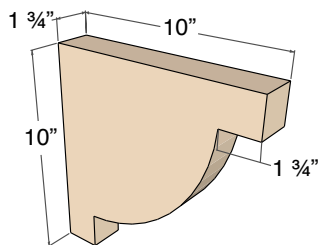
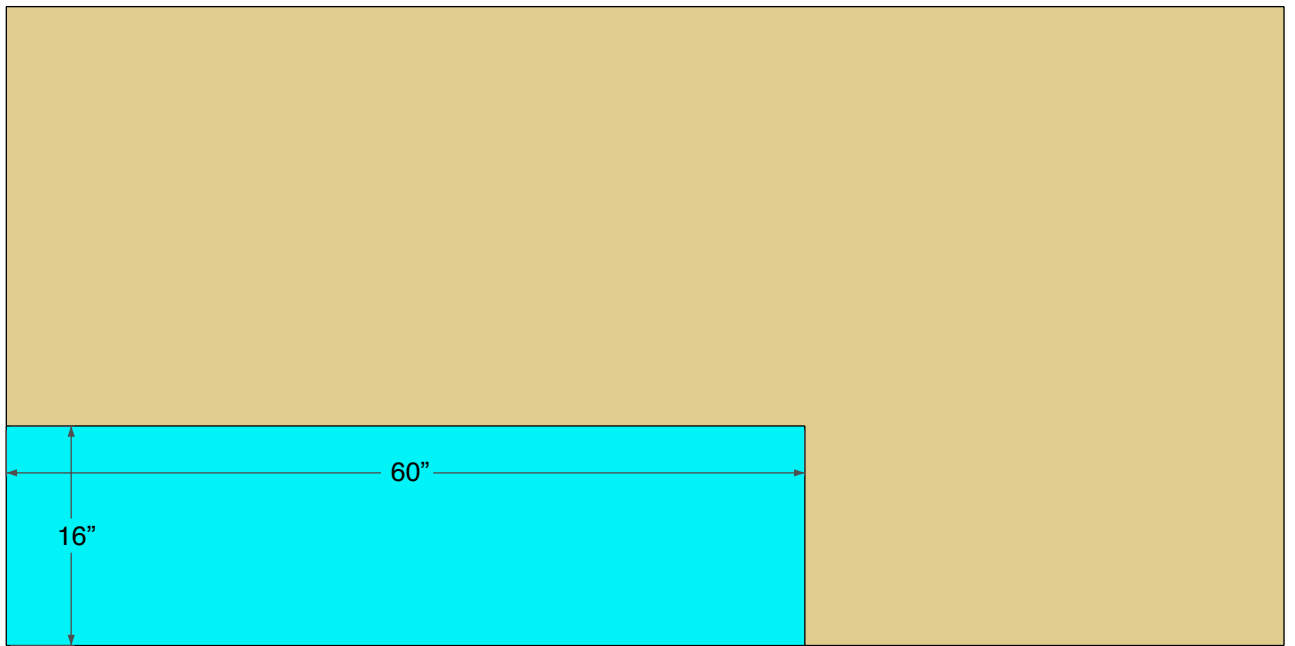
2" x 3" x 8'



2" x 3" x 8'



3/4" x 4' x 8'  
plywood



Lancaster Shaker Bracket; #8374; knotty pine

[www.osbornewood.com/8734.aspx](http://www.osbornewood.com/8734.aspx)

Osborne Wood Products, Inc.  
osbornewood.com

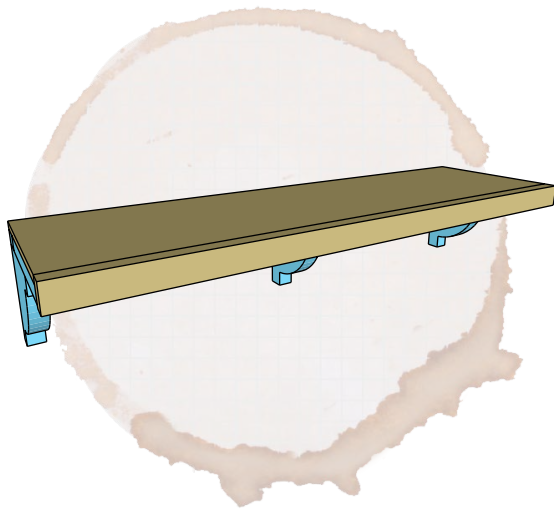
## MATERIALS LIST

Material	Qty
¾" x 4' x 8' plywood	1
2" x 3" x 8' pine board	2
1" x 3" x 8' pine board (optional)	1
Lancaster Shaker Bracket #8374 knotty pine	3

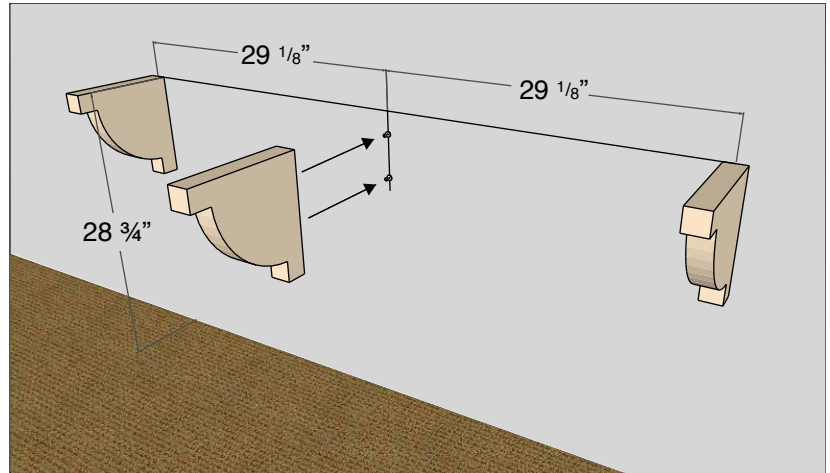
Material	Qty
2-½" pocket screws	
3" wood or spax screws	
2" spax screws	
1-¼" brad nails	
2" brad nails	
wall anchors	6
wood glue	

---

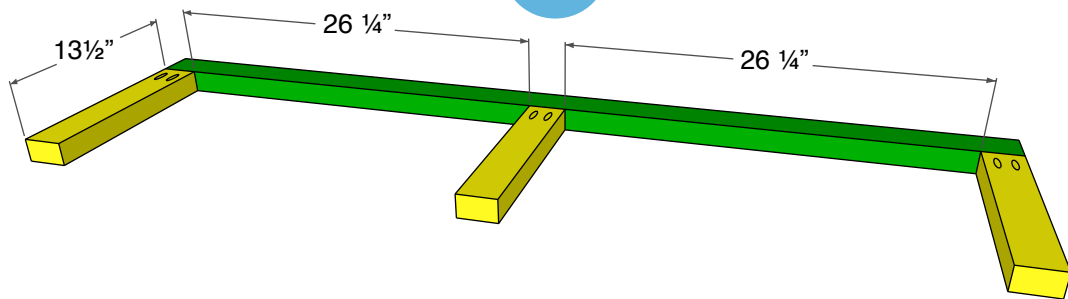
## NOTES



1



2



1.

First we will attach the corbels to the wall. We wanted the top of our desk to be 31" off the floor therefore the tops of our corbels will be 28 <sup>3</sup>/<sub>4</sub>" off the floor. Using a level draw a horizontal line 58 <sup>1</sup>/<sub>4</sub>" long 28 <sup>3</sup>/<sub>4</sub>" off the floor. Draw an 8" vertical line going down at either ends of the horizontal line. Now draw a vertical line going down from the middle of the horizontal line.

The vertical lines dictate the centers of all three corbels.

Follow the instructions that came with your corbels for mounting to the wall. Measure the openings on the back side of the corbel and reference those measurements to show where to put the wall anchors on the vertical lines. Leave about 1/2" of the screw head proud of the wall. The corbels will slip over these screws and then line up with your horizontal line.

2.

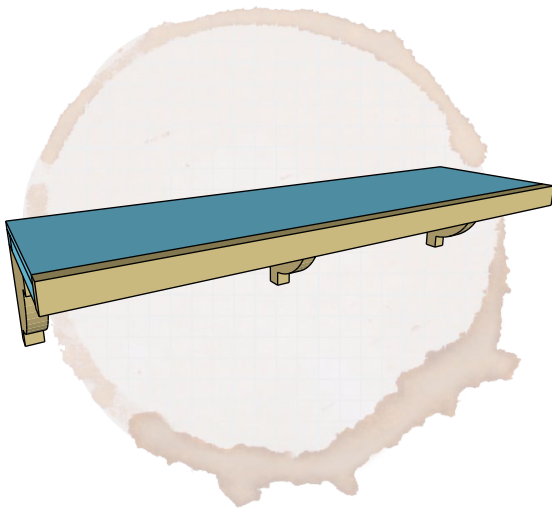
Next we will construct the skeleton of the desk that mounts to the wall.

#### VERY IMPORTANT NOTE

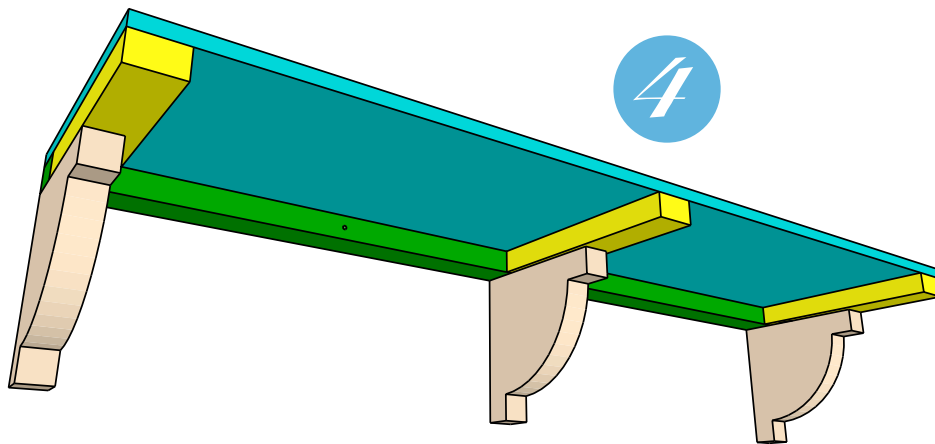
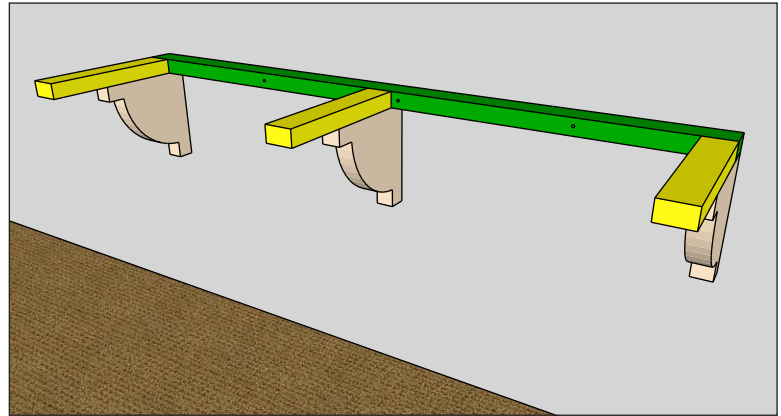
**If you are building this desk to stand alone then continue with the measurements given. However, if you are building this desk to accompany the two adjacent towers you need to do a little math to get all three pieces of furniture flush at the front. Since the desk mounts to the wall you have to take into consideration the thickness of any baseboards and shoe trim you have at the base of your walls. That thickness will push the towers out in front of the desk. You need to add up those thicknesses and add them to the length of your YELLOW boards above and to the width of your plywood panel in Step 4. Our measurements in these plans are as if there is NO baseboard OR shoe.**

Double check the distance of the outer sides of the end corbels, this will give you the length of the longer 2x3. Cut to length.

Drill 1-1/2" pocket holes into the shorter 2x3 boards and attach with wood glue and 2-1/2" pocket screws as shown.



3



4

3.

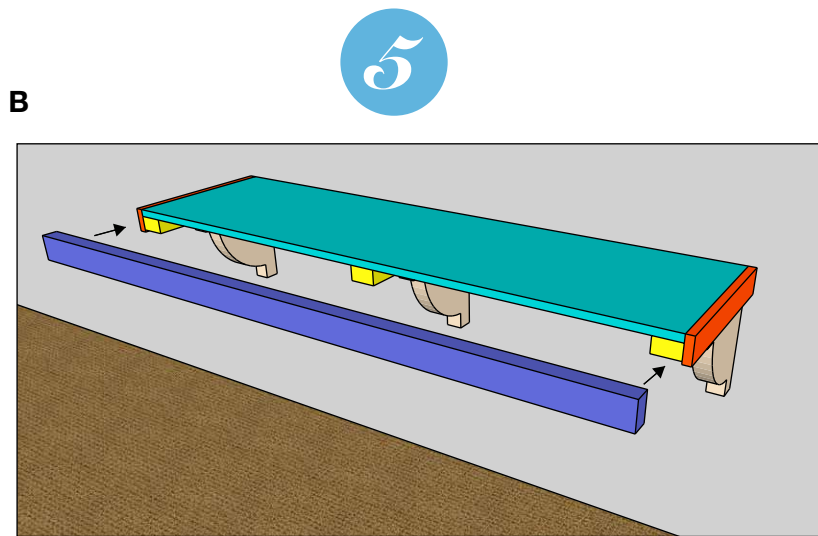
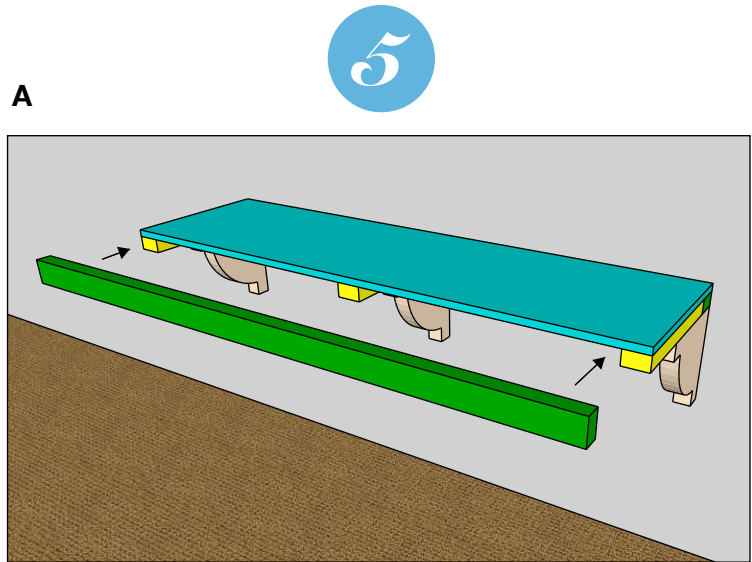
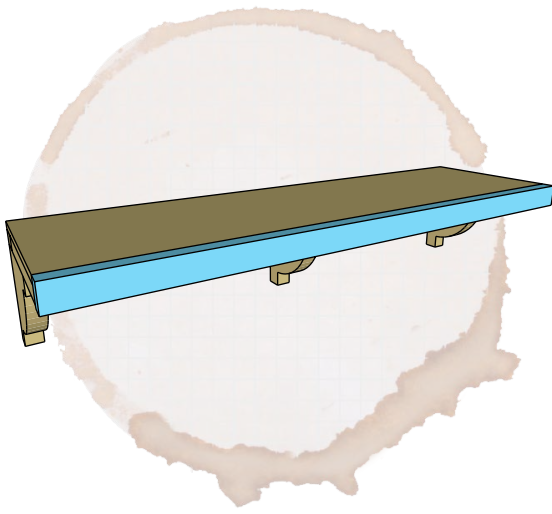
Now we will mount the skeleton structure to the wall. Lay it on the corbels. Make sure the outsides are flush with the corbels. Locate the studs in the wall between the two outer corbels and drill pilot holes at each location in the horizontal 2x3.

You should be able to hit 2-3 studs. Attach to the wall with 3" spax screws.

Now drill pilot holes to attach the corbels to the skeleton. You can either drill from the top of the 2x3 skeleton down into the corbels or up from the bottom of the 1<sup>3</sup>/<sub>4</sub>" nub that protrudes to the front of the corbel and the 2x3 above it. Attach with 2" spax screws.

4.

Time for the plywood top. Cut to fit and then, making sure it is flush on the outsides, attach with wood glue and 1-<sup>1</sup>/<sub>4</sub>" brad nails.



## 5.

You have two ways to finish this desk with trim.  
 First we will show you how to trim out the desk if you plan to combine this desk with the Office Towers.  
 The second version is if it will be a stand alone desk:

**A.)** If you are building with the towers you only need to attach the front 2 x 3 board.  
 Cut the 2x3 to fit flush with the outsides and attach with wood glue and 2" brad nails.

Or

**B.)** If it will be a stand alone desk cut the 1x3 boards so that they run from the wall out flush  
 to the front of the plywood and skeleton. Attach with wood glue and 1-1/4" brad nails.  
 Then cut the front 2x3 to be flush with the outside 1x3s and attach with wood glue and 2" brad nails.

### NOTE

If you are combining with the Office Towers you will want to secure the three pieces to each other. After the desk and Towers are installed drill a few pilot holes to connect the systems together from inside the Tower's lower storage cabinet and into the side of the desk. Drive 2" spax screws so that the entire set feels sturdy.

Then you will want to secure the towers to the wall with the 2" angle braces.