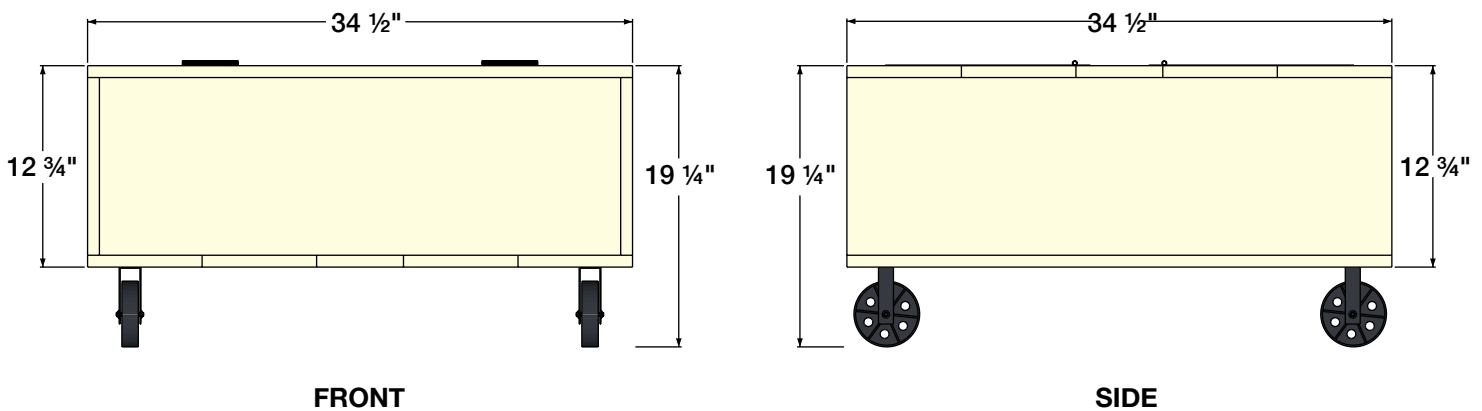




Storage Coffee Table

*W*hat a great beginner project to get you started! Build this rustic coffee table that is as much storage as it is table. Two separate compartments will keep your living space organized and made out of only 8 boards this project will keep your wallet full.

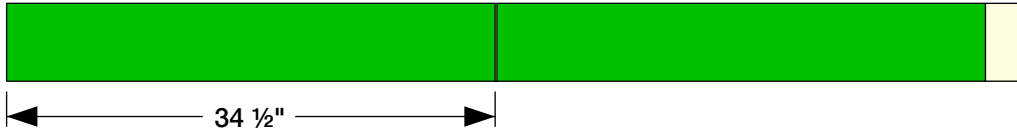


Make sure you read through the instructions carefully and take notice of any special construction notes prior to making any cuts. And always practice safe DIY'ing. Have fun!

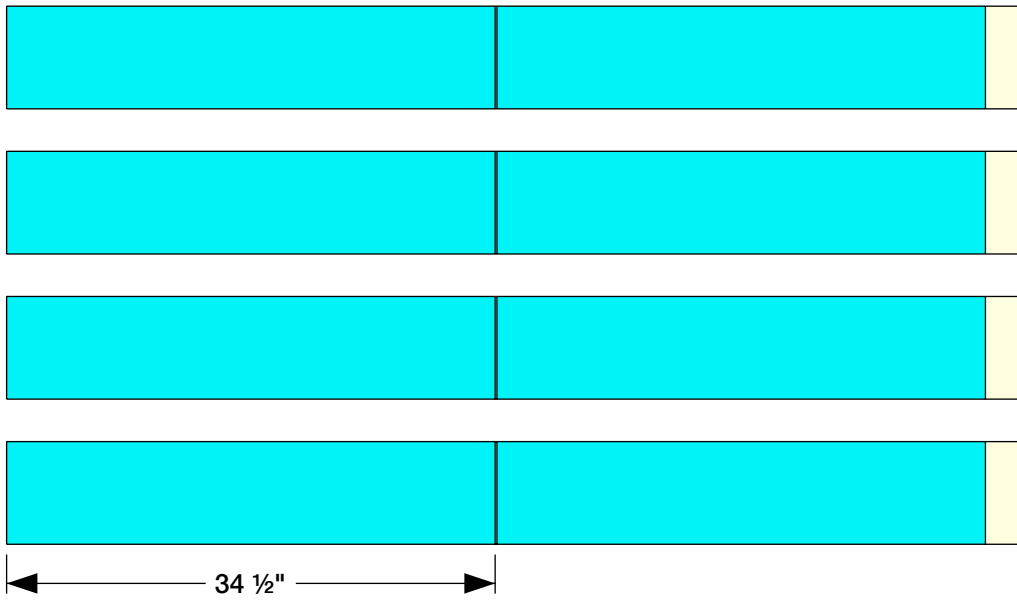
PLEASE NOTE - many pieces may require you to cut them to fit a certain size while you are building it. Its best not to cut pieces until you need them. Take your time and study all the diagrams.

CUT LIST

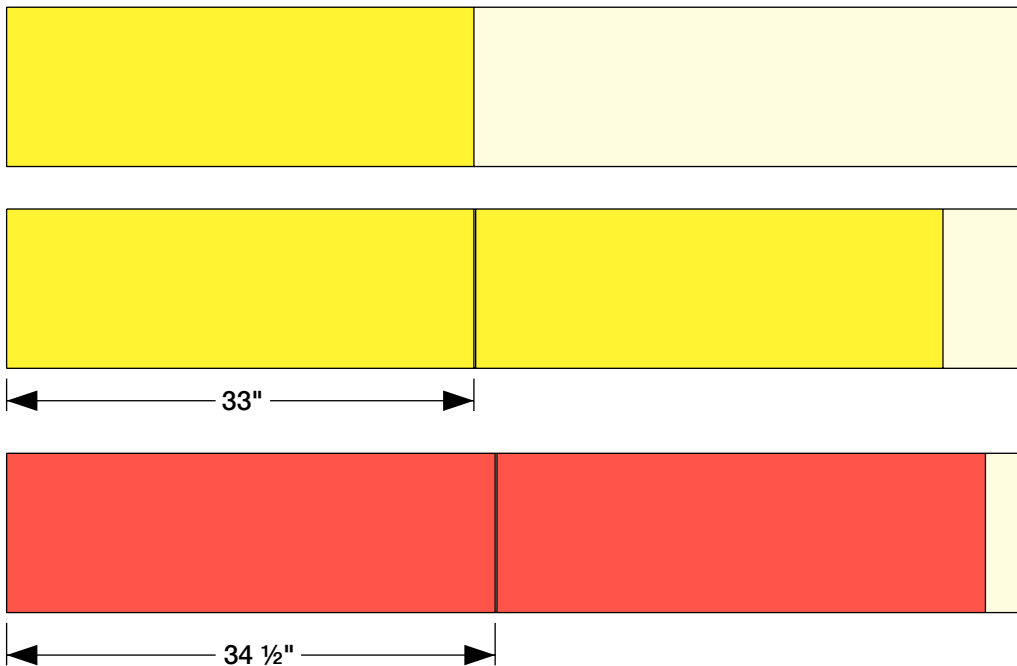
1" x 6" x 6'



1" x 8" x 6'



1" x 12" x 6'

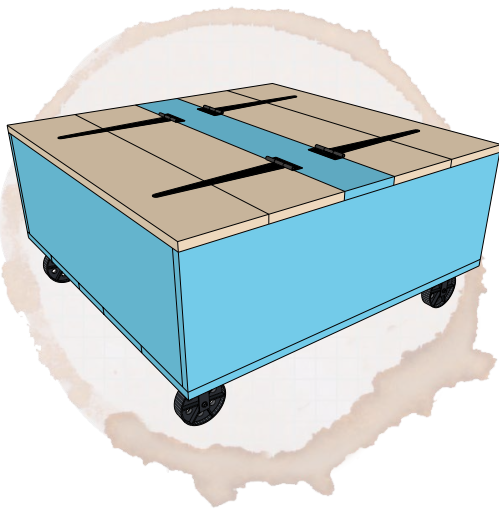


MATERIALS LIST

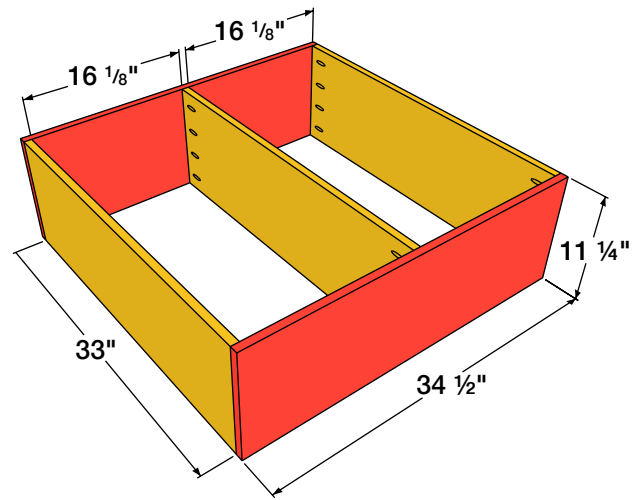
Material	Qty
1" x 12" x 6' pine board	3
1" x 8" x 6' pine board	4
1" x 6" x 6' pine board	1

Material	Qty
1-1/4" pocket screws	
1-1/4" brad nails	
5" casters (6 1/2"H x 5"D)	4
strap hinges	4
wood glue	

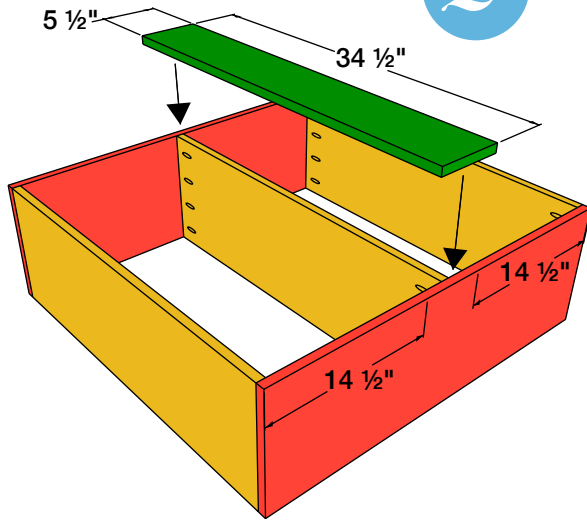
NOTES



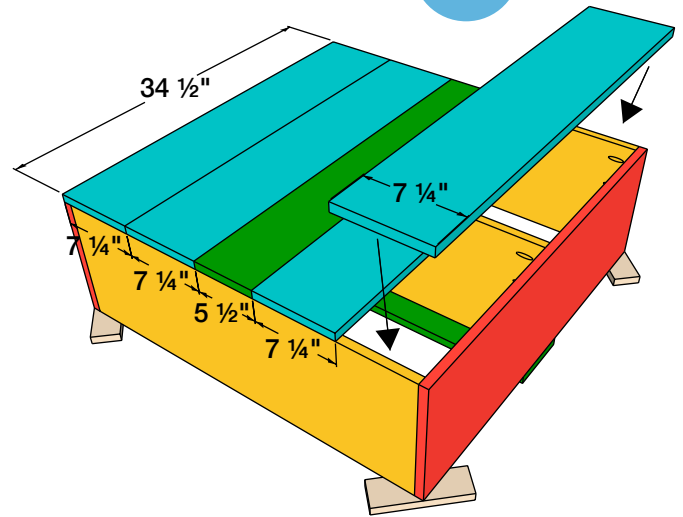
1



2



3



BEFORE YOU BEGIN Lay your 1x6 and 1x8s edge to edge. The measurement of that width should be about 34 1/2". Slight differences in the width of boards may affect this measurement. This measurement will dictate the square size of your overall project. These plans are assuming 7-1/4" for 1x8s and 5-1/2" for 1x6s. You will get two cuts out of each board, a top piece and bottom piece. Keep them separate and you will ensure your top and bottom are exactly the same size.

1.

Now cut your 1x12s to length.

Drill pocket holes for 3/4" material as shown. When assembling make sure the 33" boards are inside the 34-1/2" boards at the corner as shown. Attach with wood glue and 1-1/4" pocket screws.

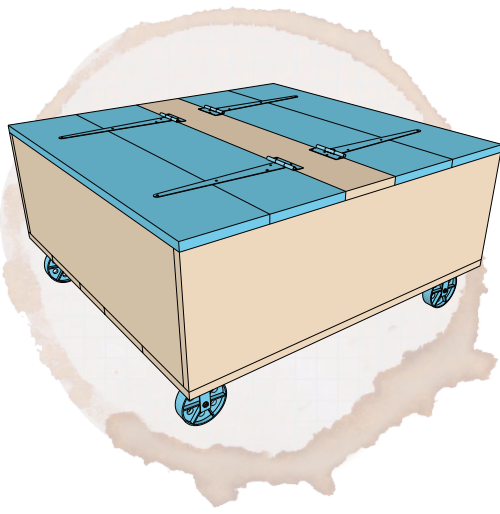
2.

Now you will attach the top middle 1x6. Check your box for square by measuring the outside corner to opposite outside corner and then the other corners. Make sure they are the same, adjust as needed. Locate the center as shown and attach with wood glue and 1-1/4" brad nails.

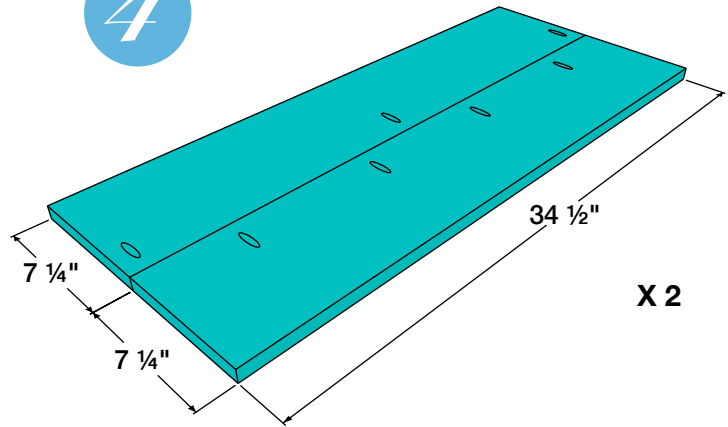
3.

Flip the piece over and place spacers at each corner to level the box. Check the box for square again. Adjust as needed.

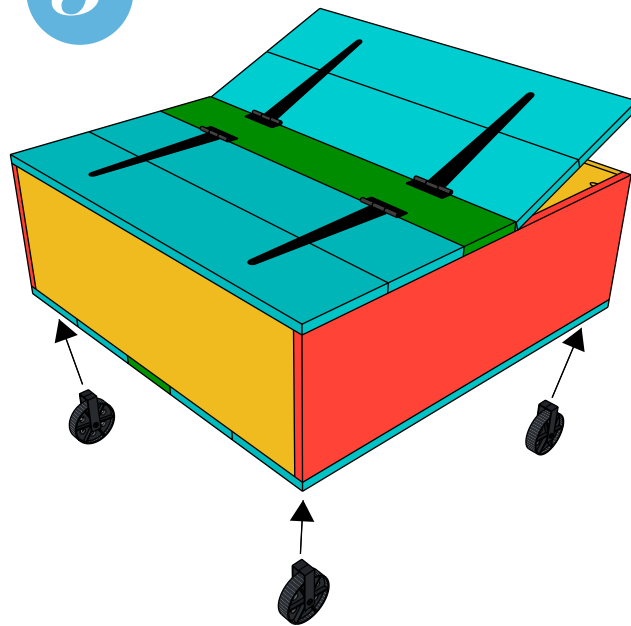
Make sure you are attaching these boards perpendicular to the divider. Starting with the middle 1x6 and working your way out, attach your remaining boards as shown with wood glue and 1-1/4" brad nails.



4



5



4.

Edge your join your remaining 1x8s with wood glue and 1-1/4" pocket screws as shown to make a swinging door. Repeat for remaining door.

5.

Attach the doors with hinges so that the outsides are flush with the main body of the coffee table as shown.

Attach casters inset approx 2" from all sides.