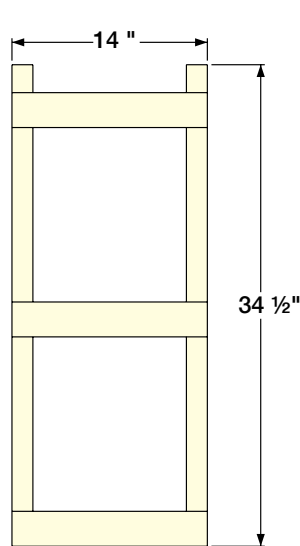


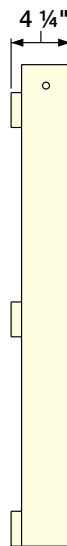


Mason Jar Caddy

*L*ooking for a beginner project to finally quench that woodworking bug? But you want it to be stylish and functional? Then this is the project for you. First watch our YouTube video for the lowdown on the build, then take this document along with you during the build. You'll be feeling like a DIY'er in no time.



FRONT



SIDE

Make sure you read through the instructions carefully and take notice of any special construction notes prior to making any cuts. And always practice safe DIY'ing. Have fun!

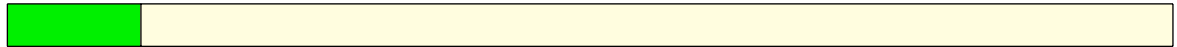
PLEASE NOTE - many pieces may require you to cut them to fit a certain size while you are building it. Its best not to cut pieces until you need them. Take your time and study all the diagrams.

CUT LIST

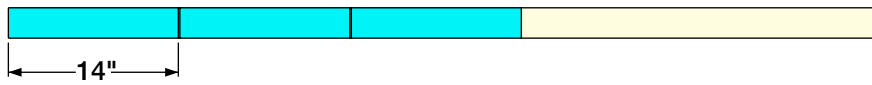
2" x 4" x 8'



2" x 4" x 8'



1" x 3" x 6'

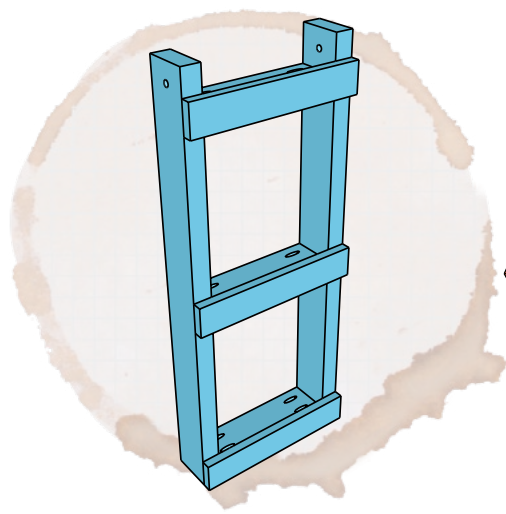


MATERIALS LIST

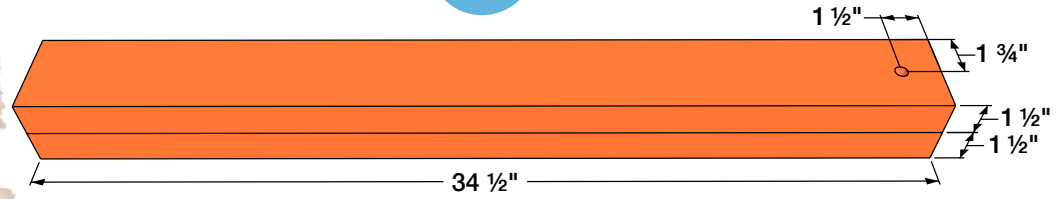
Material	Qty
2" X 4" X 8' wall stud	2
1" x 3" x 6' pine board	1

Material	Qty
2-½" pocket screws	
1-¼" brad nails	
drill bit the thickness of your rope	
2' of rope	
wood glue	

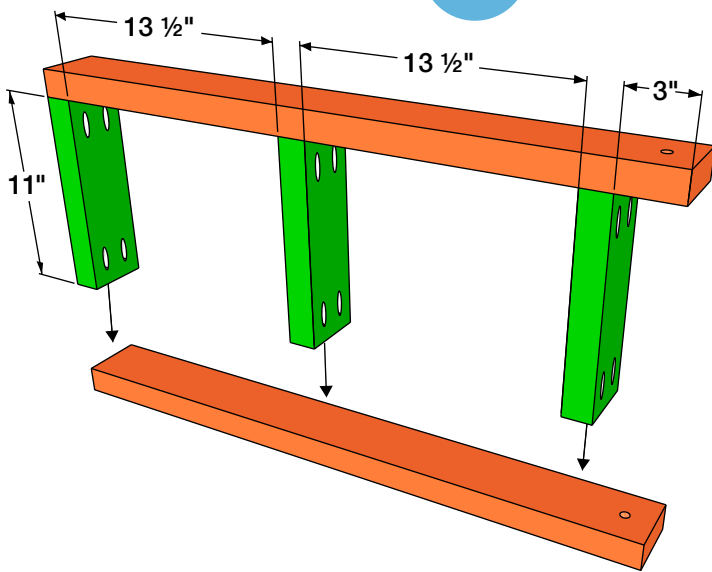
NOTES



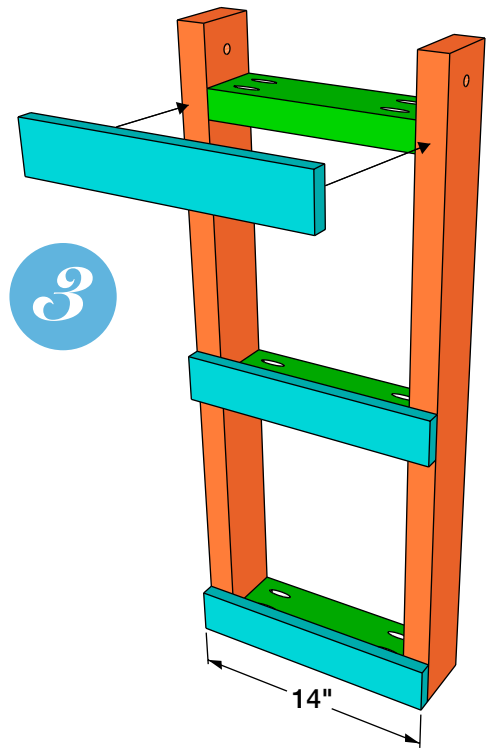
1



2



3



1.

Begin by cutting your 2x4 vertical braces to length.

Then, to make sure your holes for the rope are at that the exact same spot for both vertical braces you will drill them at the same time. Clamp the boards together and drill a hole the thickness of your rope in the location shown in the above illustration. When drilling holes make sure your boards are on a sacrificial surface and drill through the boards and into the surface. This will help prevent tearout around your holes.

2.

Now cut your 2x4 cross braces that will act as your shelves. Drill 1-1/2" pocket holes into both ends on all three boards and attach with wood glue and 2-1/2" pocket screws, making sure the outside edges are flush. Space the cross braces as shown and make sure your holes are located as shown.

3.

Cut your shelf fronts to length and attach with wood glue and 1-1/4" brad nails. Make sure the outside edges are flush and the bottom edges of the shelf fronts are flush with the bottom edge of the cross brace shelf bottoms.

Sand the caddy with 150 grit sandpaper and finish to your liking. Allow to dry thoroughly.

Finally, cut your rope to length. Tie a knot into one end and feed the other end through one hole and then into the other hole. Tie a knot into the second end.

Hang and enjoy. It's that easy!