



©2017 WWW.SHANTY-2-CHIC.COM



MODERN FARMHOUSE WALL PLANTERS

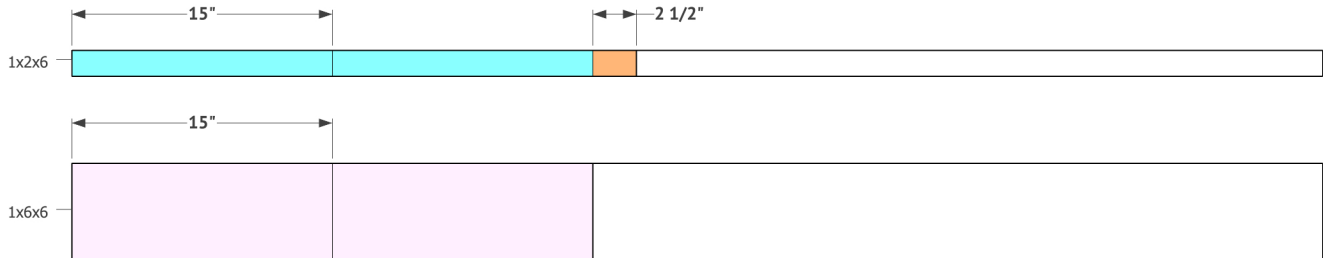
SUPPLY LIST

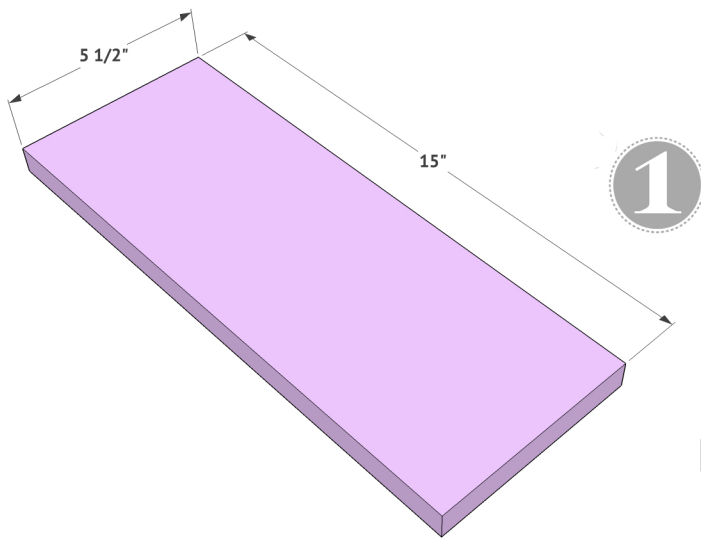
Item	Quantity	Description
1x6x6	1	pine or whitewood
1x2x6	1	pine or whitewood
wood glue		
brad nails		

Remember!

Many of these cuts are best made as you go. If you have questions, check out the tutorial on our site!

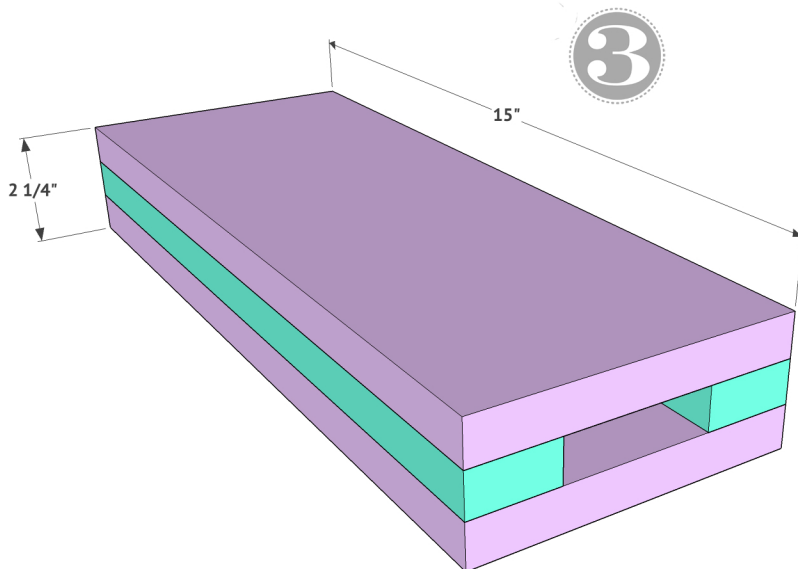
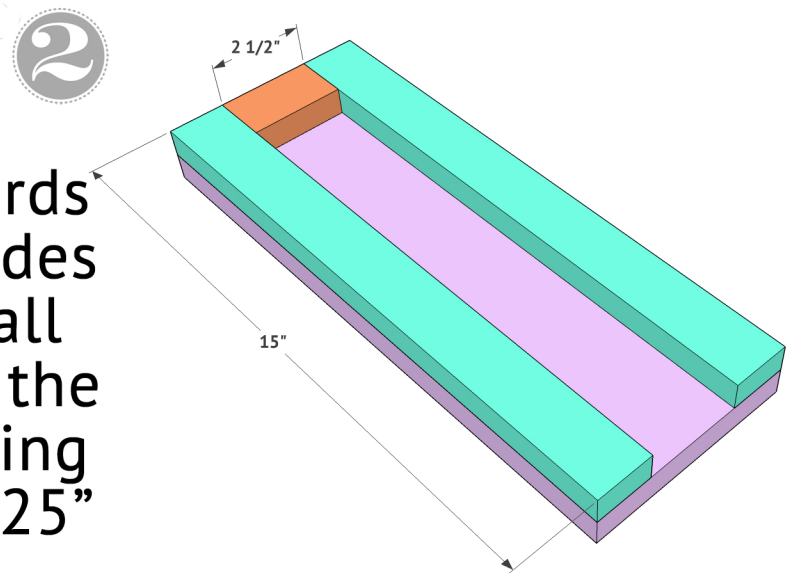
CUT LIST





Make your cuts first. These are 1x6 boards at 15" long. You will need 2 for each planter.

Now attach the 1x2 boards. The longer boards will be flush with the sides of the 1x6 and the small piece will be flush with the bottom. Attach everything using wood glue and 1.25" brad nails.



Final step is attaching the top 1x6 board. Use wood glue and 1.25" brad nails to attach it to the top of the 1x2 boards and flush.