



©2017 WWW.SHANTY-2-CHIC.COM



# HANGING BENCH

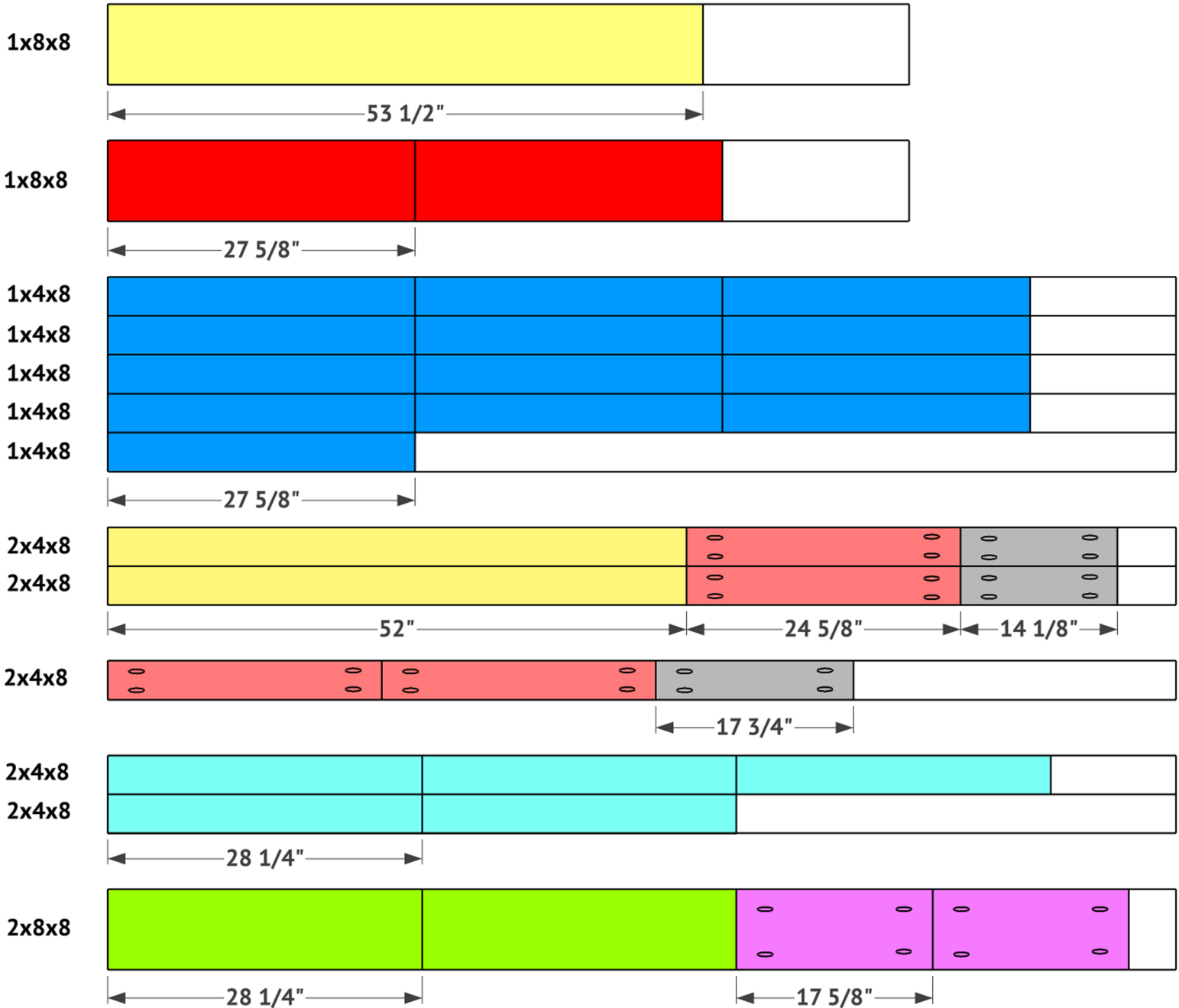
## SUPPLY LIST

Item	Quantity	Description
1x8x8	2	Pine or Whitewood
1x4x8	5	Pine or Whitewood
2x4x8	5	Pine or Framing Lumber
2x8x8	1	Pine or Framing Lumber
1 1/4" brad nails		
1 1/4" wood screws		
2 1/2" wood screws		
2 1/2" pocket hole screws		
3" wood screws		
Metal Angles	4	Link in Post
Wood Glue		
Hanging Hardware and Leather		
Mattress		Link in Post

*Remember!*

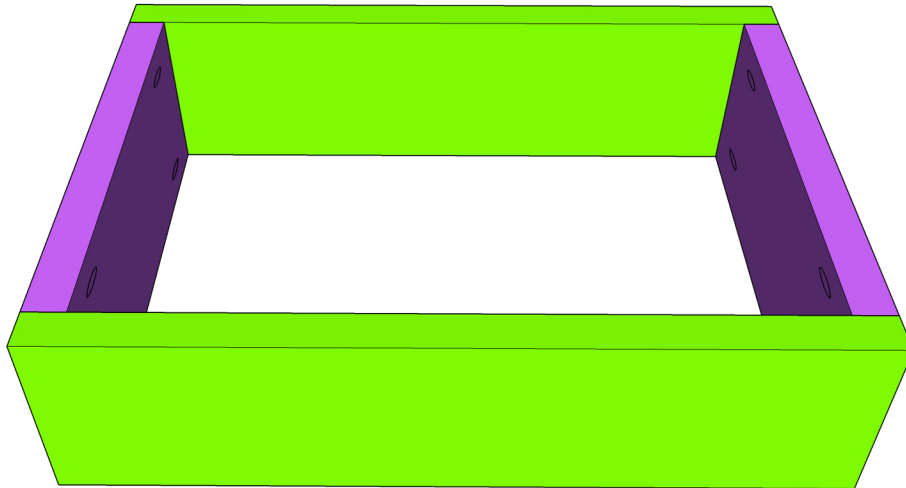
Many of these cuts are best made as you go. If you have questions, check out the tutorial on our site!

## CUT LIST



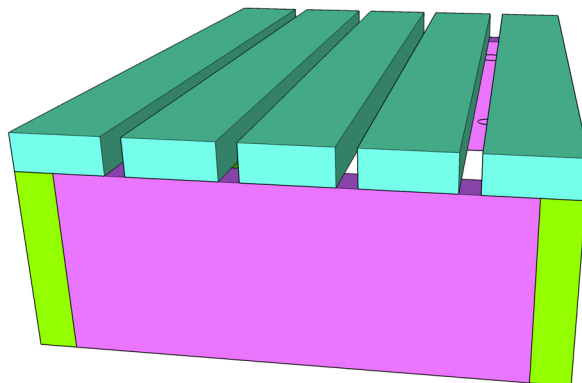
1

Make the cuts for the base, drill 1 1/2" pocket holes in the side pieces and attach them to the front and back pieces with 2 1/2" pocket hole screws and wood glue.



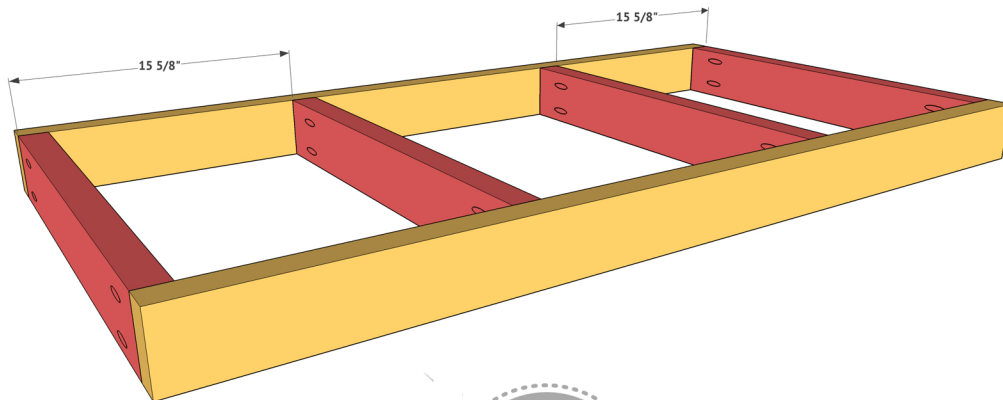
2

Cut the slats for the base and attach them to the top of the base with 2 1/2" wood screws and wood glue. Start by attaching the outside slats and space the rest out evenly.



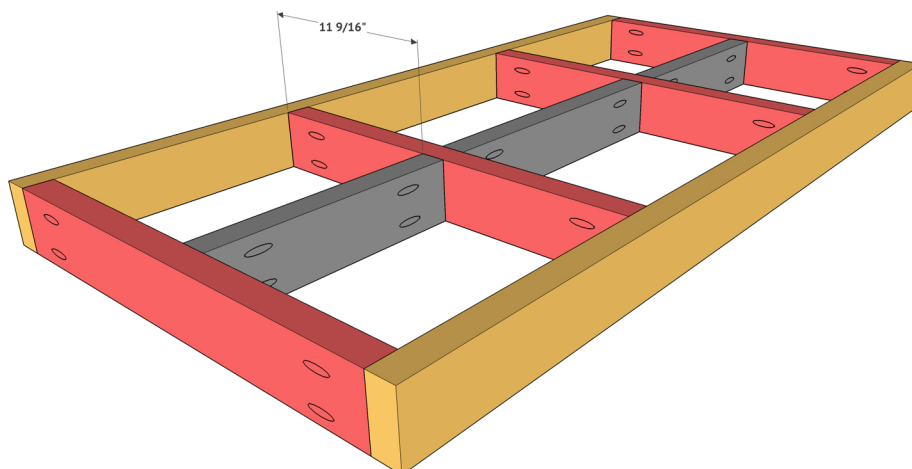
3

Make the cuts for the frame and drill 1 1/2" pocket holes into each end of the short pieces. Attach them to the long pieces with 2 1/2" pocket hole screws and wood glue.



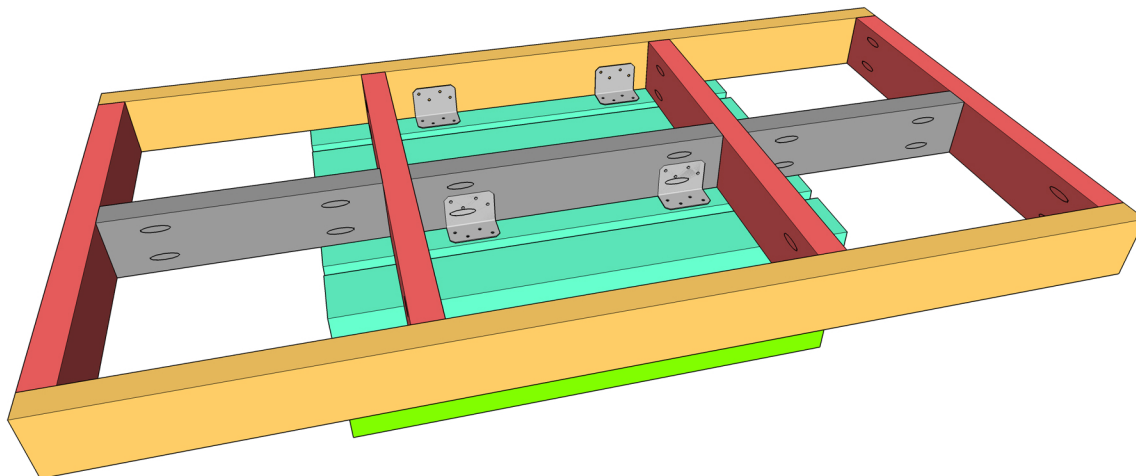
4

Cut the cross supports, drill 1 1/2" pocket holes in each end and attach them to the short frame pieces with 2 1/2" pocket hole screws and wood glue.



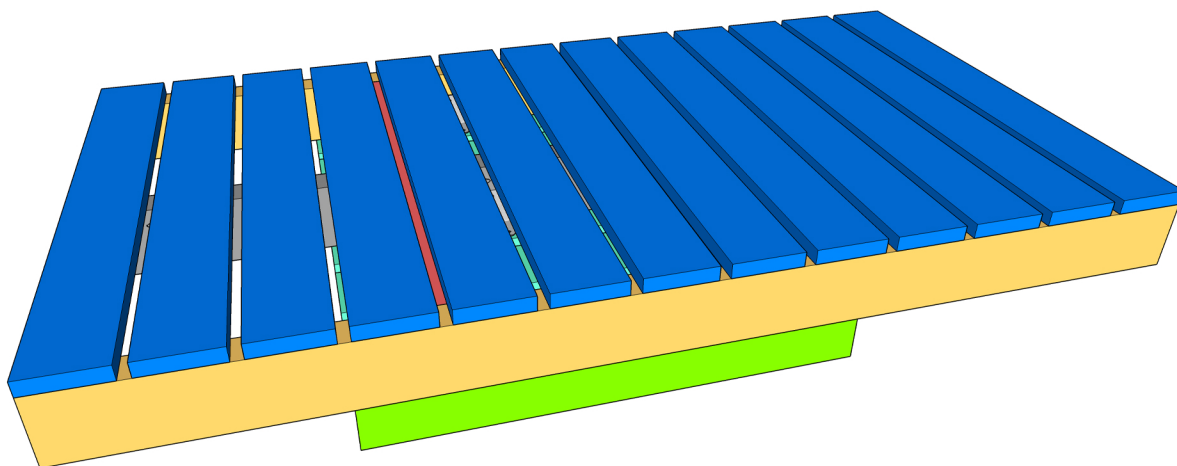
5

Center and attach the frame to the base with metal angles and wood screws. You can find a link to the metal angles on our site!



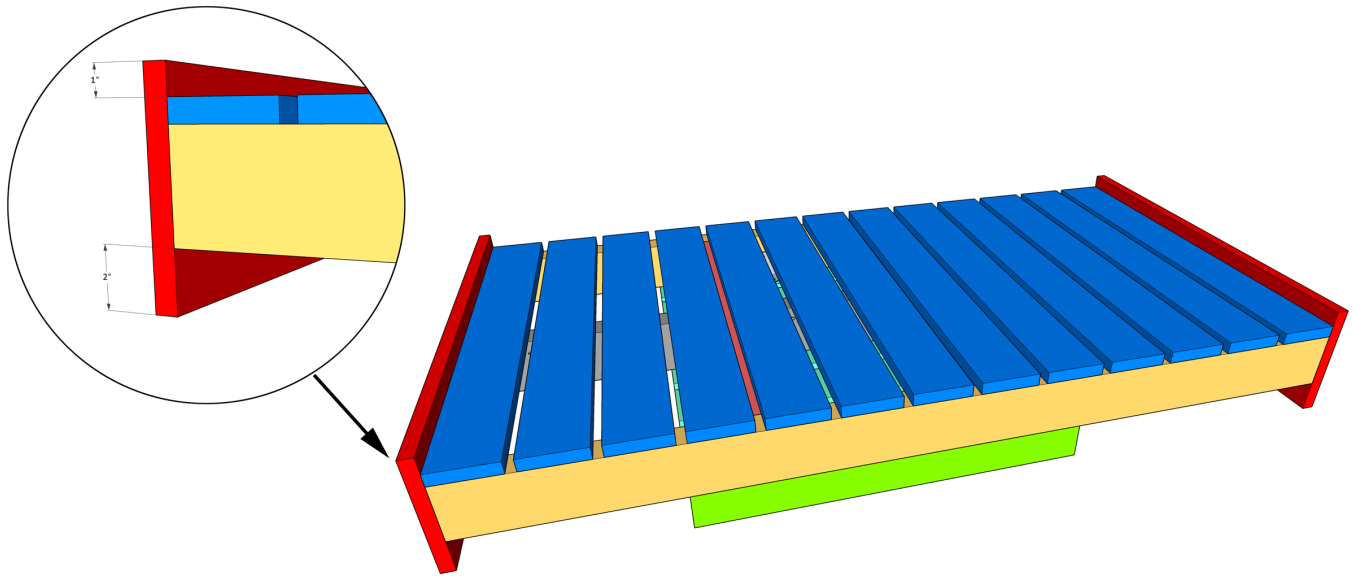
6

Cut the slat pieces, for the frame, and attach them to the frame with 1 1/4" brad nails and wood glue. Start by attaching the outside pieces and evenly space the rest.

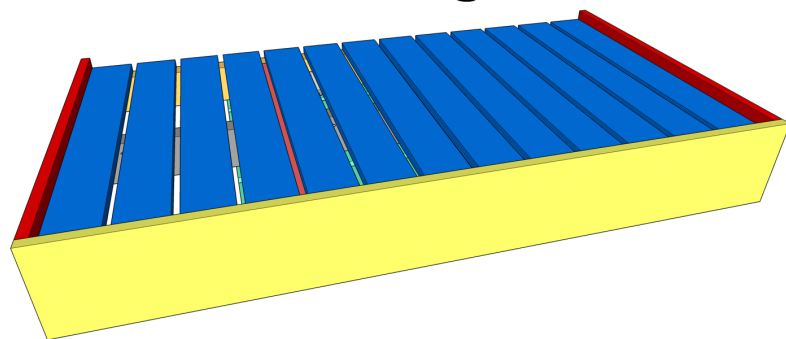




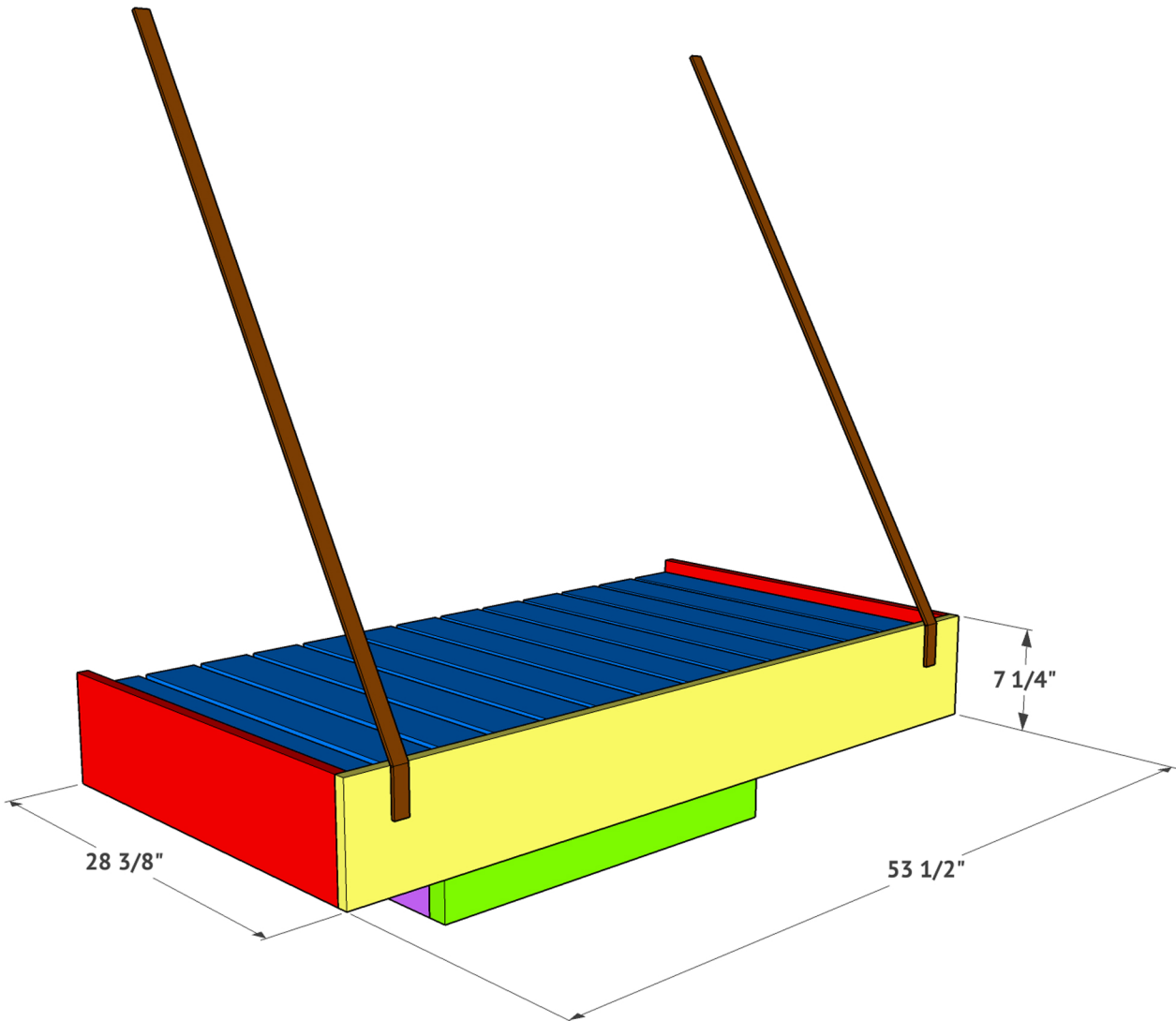
Cut the sides of the bench to size. Attach them to the side of the frame with 1 1/4" brad nails and wood glue. Note the spacing below!



Cut the front of the bench to size. Attach it to the front of the frame with 1 1/4" brad nails and wood glue.



Finally, add a finish! Once the finish dries, attach to a wall, from the back frame piece into studs behind the wall.



We added leather straps and hardware to make then bench look like it's hanging. You can find the link to the mattress we built this for on our site! Make it your own! Be sure to share your builds with us on social and use #shanty2chic so we can share them too!

Happy Building!

---

[WWW.SHANTY-2-CHIC.COM](http://WWW.SHANTY-2-CHIC.COM)