



©2017 WWW.SHANTY-2-CHIC.COM



# PEDESTAL DINING TABLE

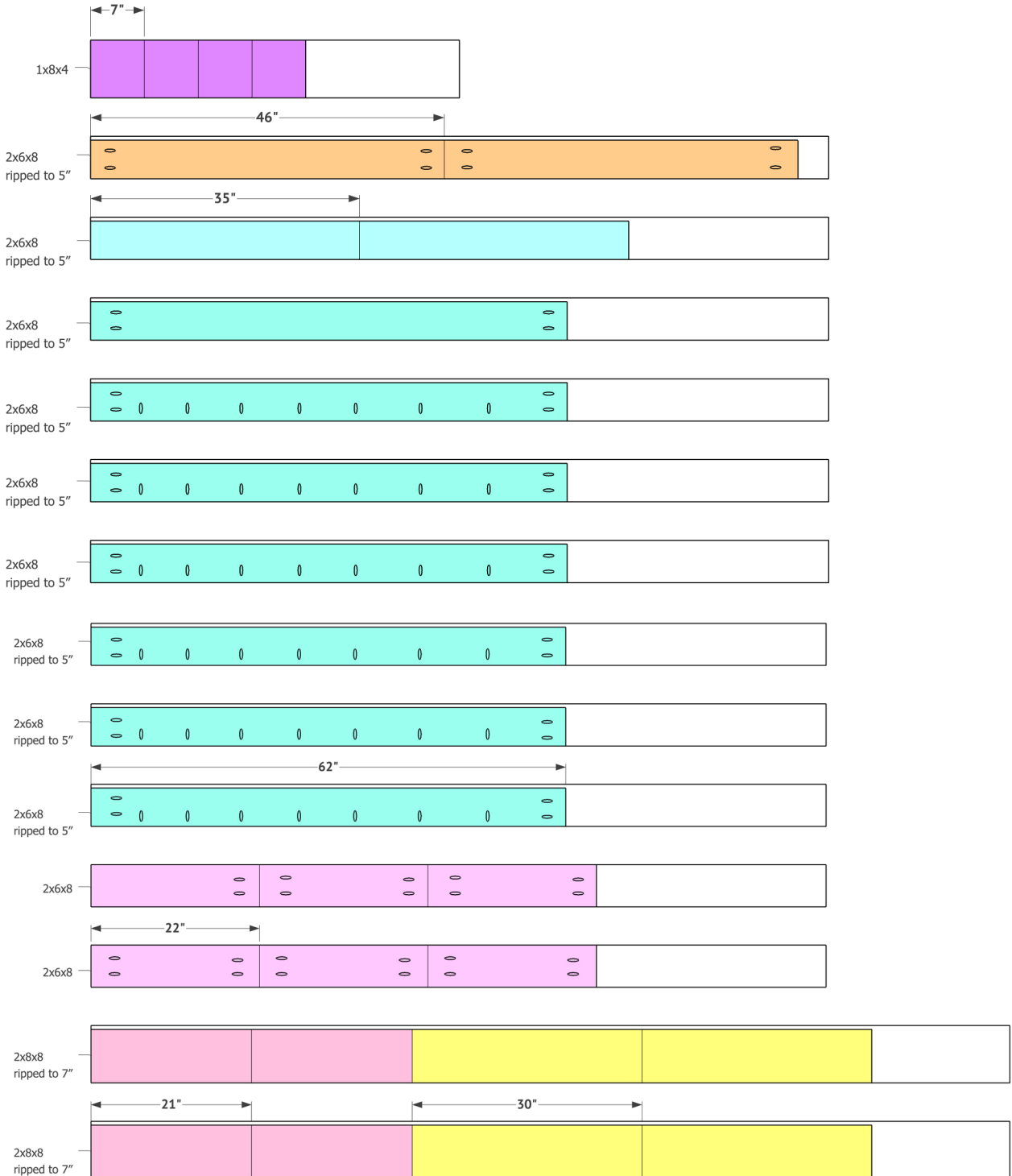
## SUPPLY LIST

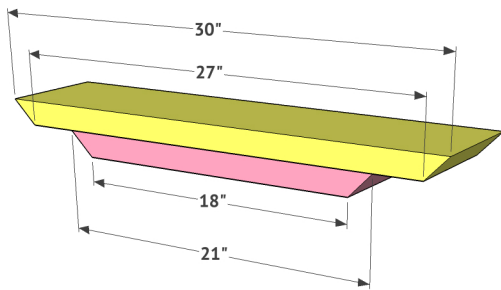
Item	Quantity	Description
2x8x8	2	framing lumber
2x6x8	11	framing lumber
1x8x4	1	pine or whitewood
2.5" pocket hole screws	several	
3" Spax screws	several	
2.5" Spax screws	several	
1.5" Spax screws	16	
base molding and casing	several	Purchase based on style you choose

*Remember!*

Many of these cuts are best made as you go. If you have questions, check out the tutorial on our site!

## CUT LIST

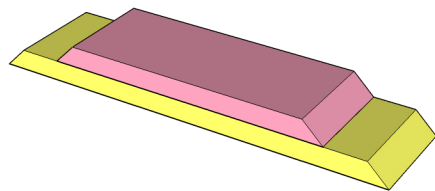




x4

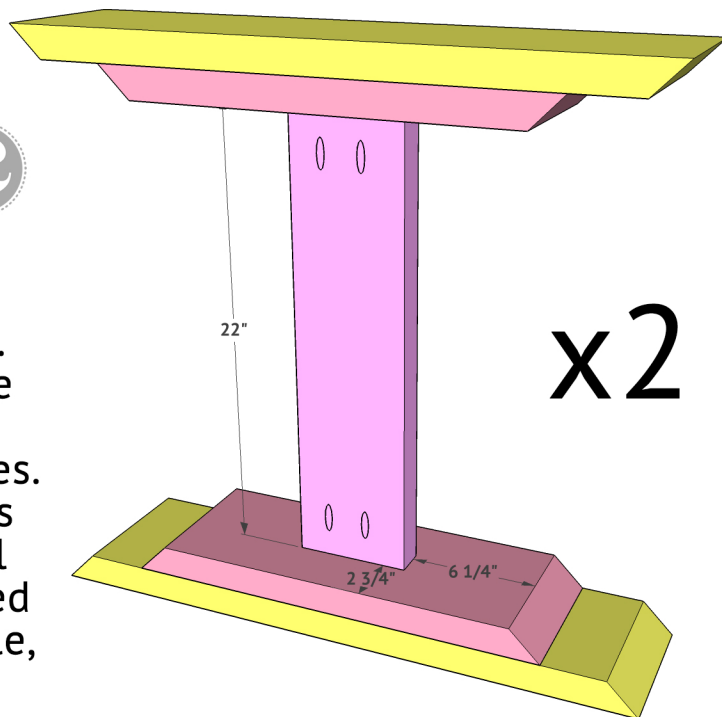
1

Start by building 4 feet assemblies. These are 2x8 framing boards that we ripped to 7" with our table saw. You don't have to rip them with this plan, but it will change the dimensions just a bit. These are 30° angles on each board. Attach the small piece on top and center of each larger piece using lots of wood glue and 2.5" Spax or wood screws.

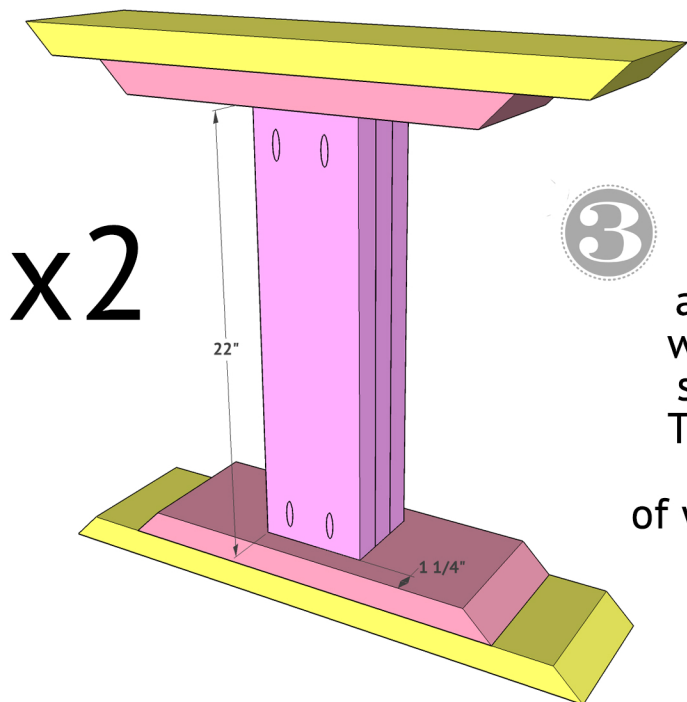


2

Now attach the first of the 6 leg boards to 2 of the leg assemblies. Attach it centered on both and use wood glue and 2.5" pocket hole screws through the 1.5" pocket holes. The leg boards are just 2x6 boards that we didn't rip down. They will be covered with trim and we wanted to keep the legs as large as possible, so no need to rip these boards.



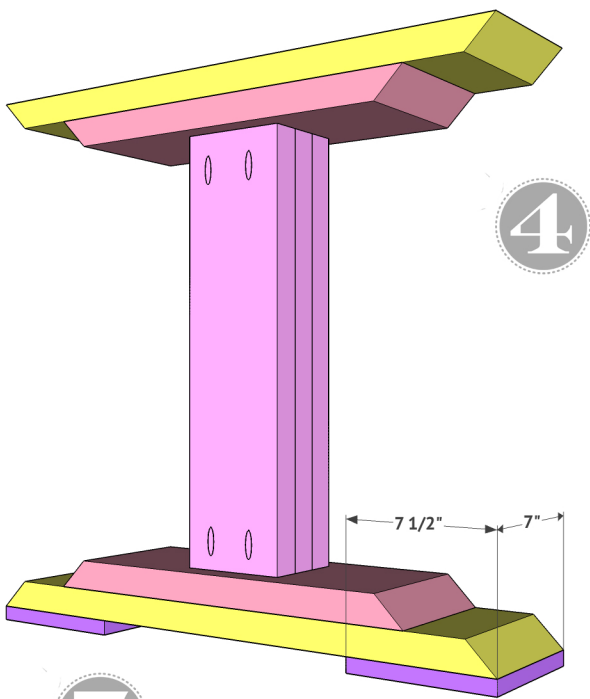
x2



x2

3

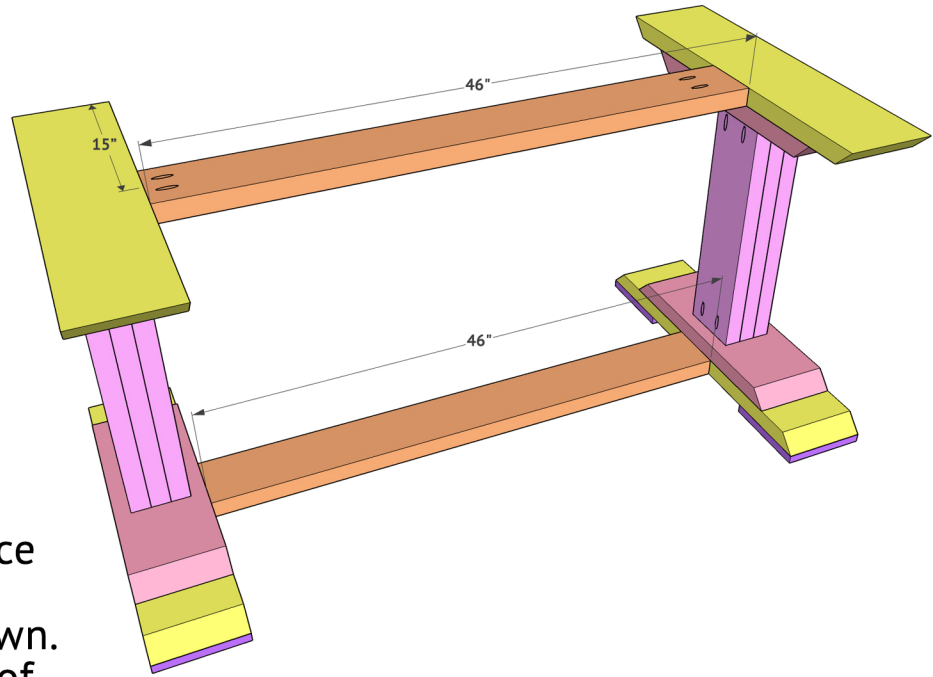
Now attach the other 2 boards the same way. They will sit flush against the middle leg board and you will attach them with 2.5" pocket hole screws through the 1.5" pocket holes. The pocket holes will face the outside on both sides. Be sure to use lots of wood glue in between each leg as well.



Now add the footpads. These are 1x8 boards that will sit the table off the ground a bit. It will give it stability and we love the look! Attach each footpad using wood glue and 1.5" Spax or wood screws.

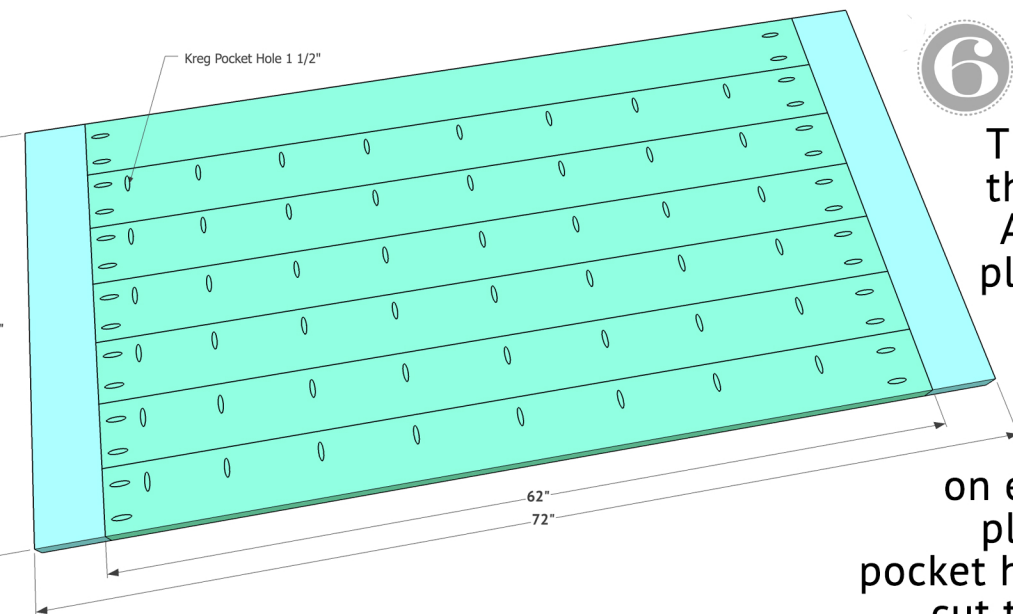
5

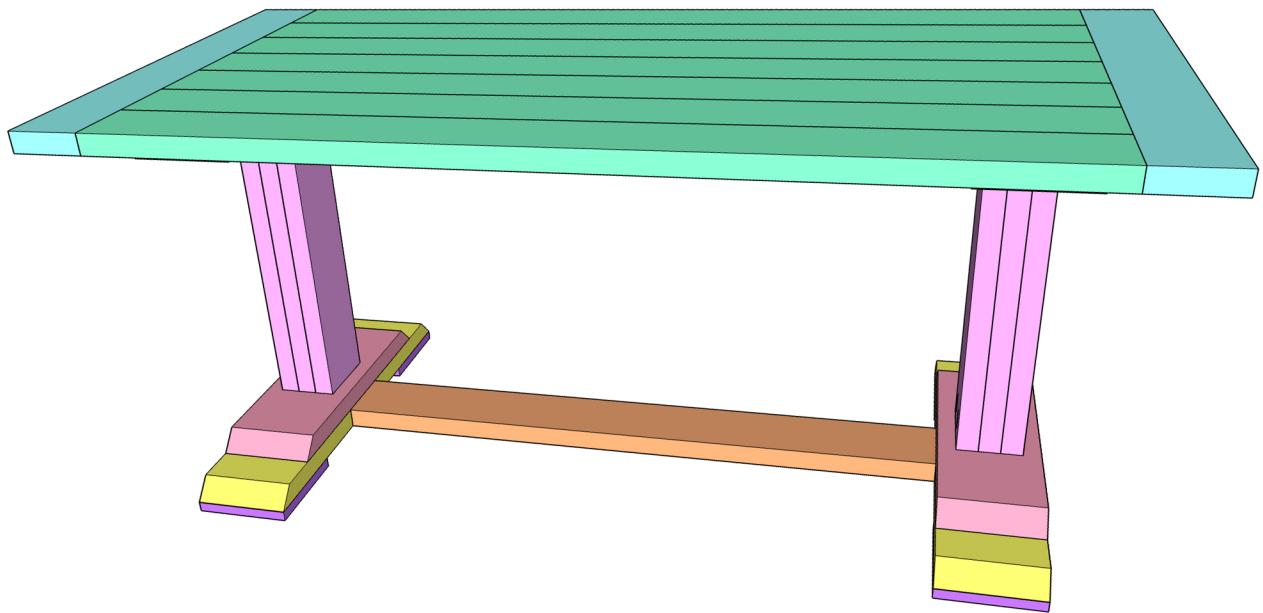
Attach both runners next. These are 2x6 boards that we ripped to 5". The top runner will have 1.5" pocket holes that face up, and the bottom runner will have 1.5" pocket holes that face down. Attach both runners to the center of each leg assembly using wood glue and 2.5" pocket hole screws.



6

Now build the top! These are also 2x6 boards that we ripped down to 5". All but one of the longer plank boards will have 1.5" down one long side. All of the longer plank boards will also have 1.5" pocket holes on each short end. Attach the planks together using 2.5" pocket hole screws. Then, measure and cut the bread boards and attach them with the same screws through the end of each plank.





Attach the top of the table to the base with 3" Spax screws and wood glue through the top feet assemblies and the top runner and into the table top. Then, it's time for the fun part! TRIM! You can have fun with this part. Go as basic or as ornate as you want. Starting at the bottom, attach different types of casing trims and baseboard trims around each leg. Work your way up until you have covered the 2x6 leg boards completely. Attach the trim using wood glue and a pin or brad nailer and wood glue. Be sure to watch our video on tips for this part!

