



©2017 WWW.SHANTY-2-CHIC.COM



BARN DOOR PULL BLANKET LADDER

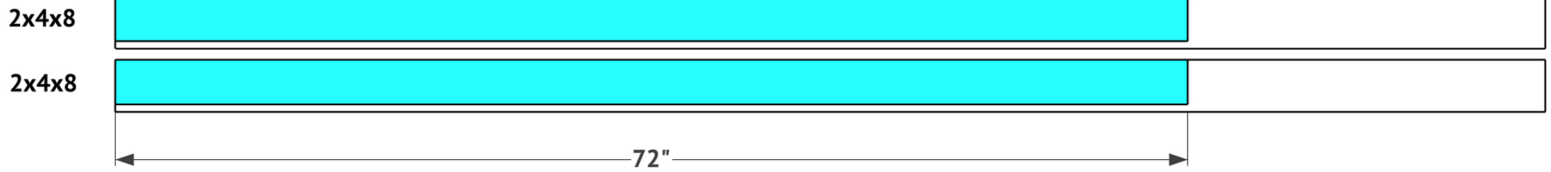
SUPPLY LIST

Item	Quantity	Description
2x4x8 (ripped to 3" wide - optional)	2	Framing Lumber
Barn Door Pulls	5	Link in Post
Wood Screws for Pulls	10	

Remember!

Many of these cuts are best made as you go. If you have questions, check out the tutorial on our site!

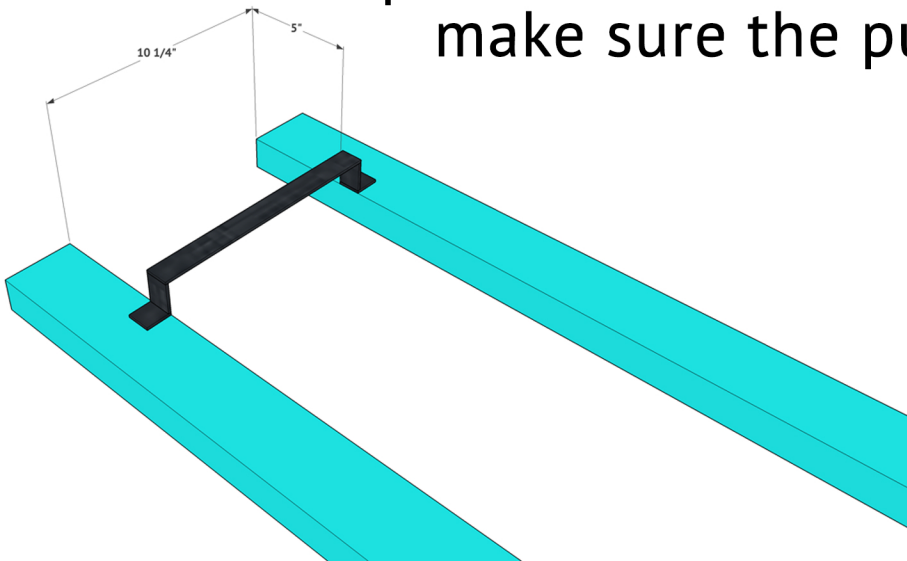
CUT LIST



Note: I ripped the round edges off of my 2x4 boards, which made them 3" each. This is not a necessary step and no modifications need to be made if you choose not to rip your edges.

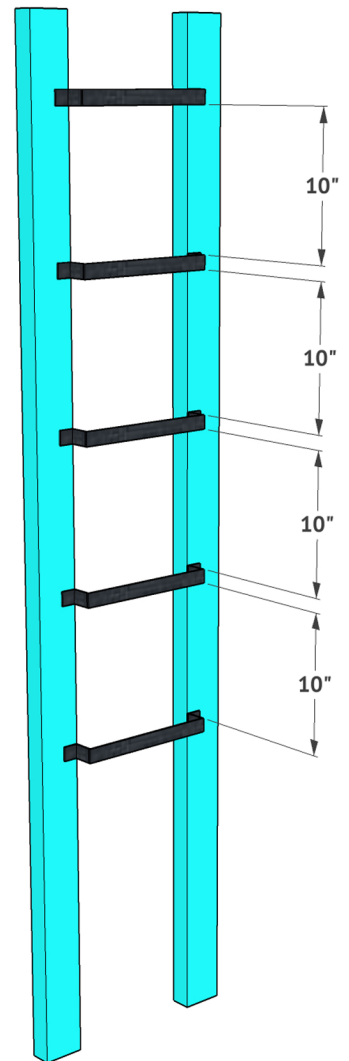
1

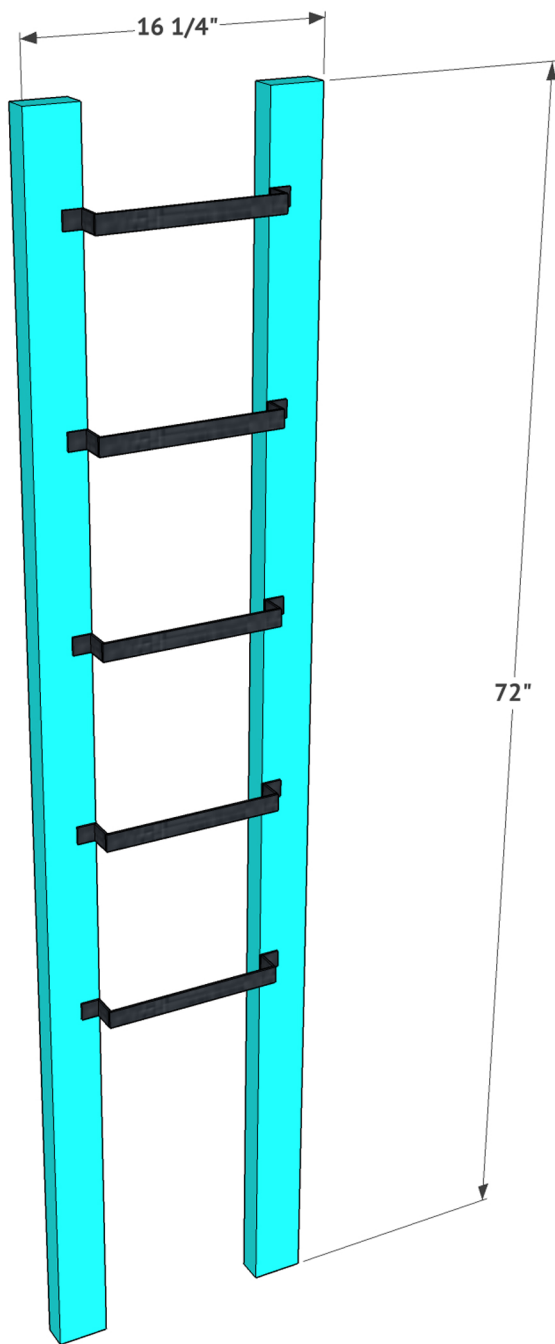
Cut the 2x4's to size and then apply a finish (adding a finish before attaching the hardware will make finishing easier). Once the finish is dry, attach the first barn door pull 5" from the top of the 2x4's. Mark 5" on both 2x4's to make sure the pulls will be level.



2

Attach the remaining barn door pulls 10" apart. Make sure to mark 10" on each 2x4!





All finished! Make sure to share your builds with us on social media and use #shanty2chic so we can share them too!

Happy Building!