



©2017 WWW.SHANTY-2-CHIC.COM



# TIN DOOR COFFEE CABINET

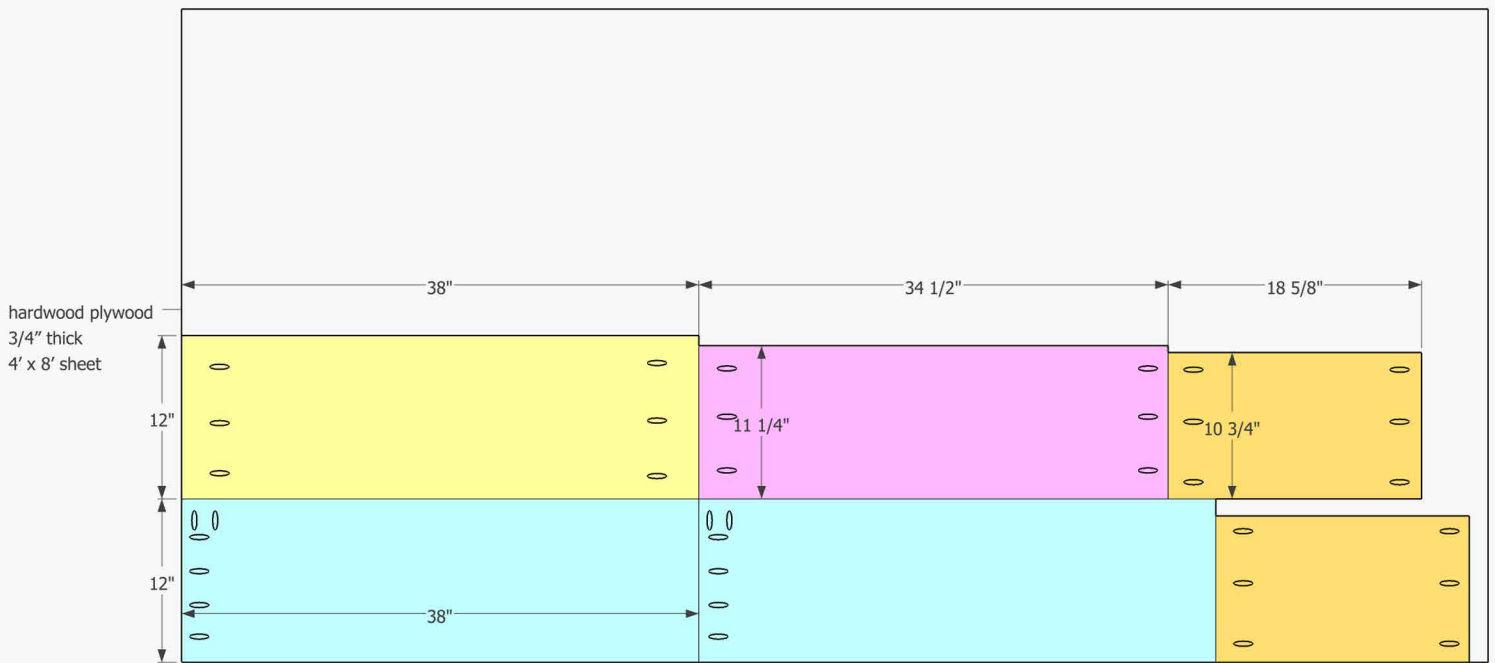
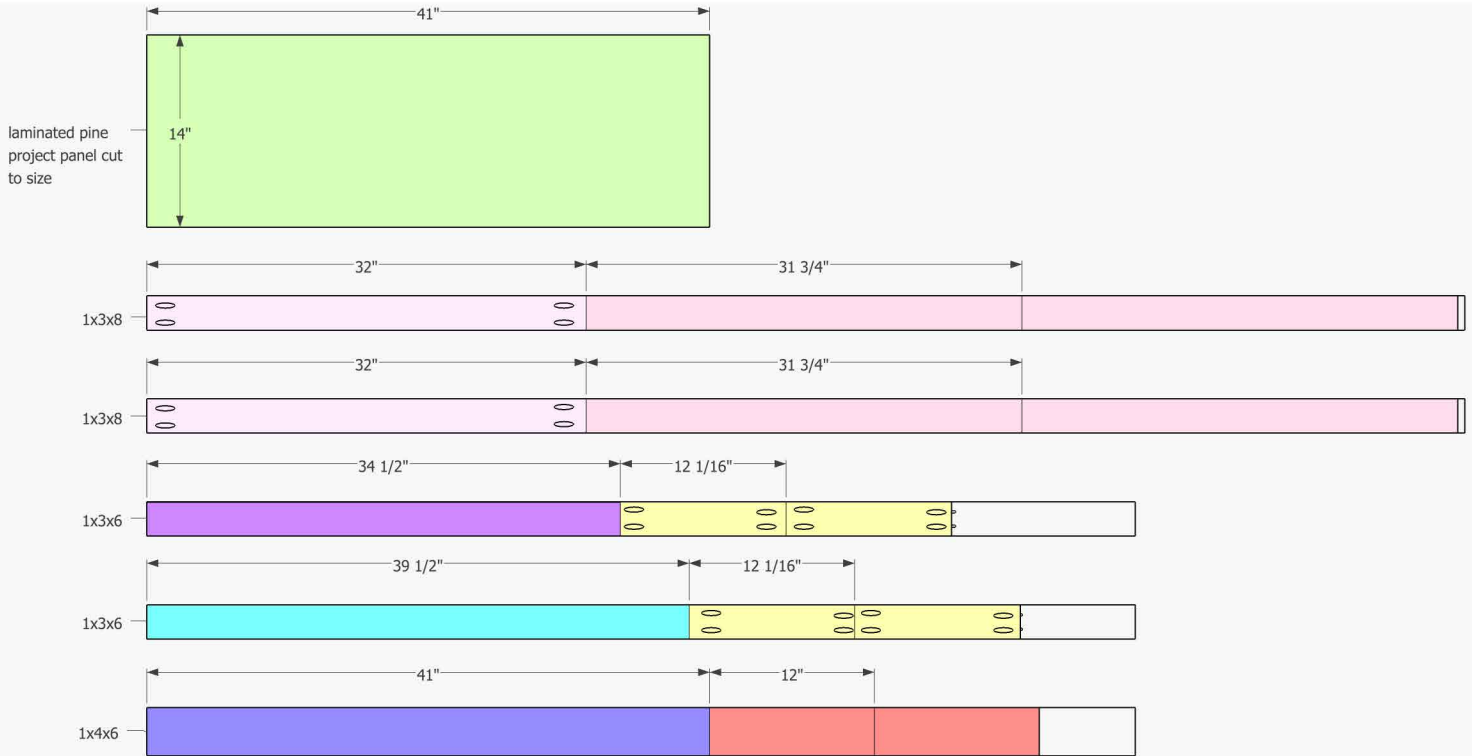
## SUPPLY LIST

Item	Quantity	Description
1x3x8	2	pine or whitewood
1x3x6	2	pine or whitewood
1x4x6	1	pine or whitewood
laminated project panel	1	at least 14" x 41" *can also use leftover plywood with trim
3/4" hardwood plywood	1	4' x 8' sheet
1/4" hardwood plywood	1	4' x 8' sheet
hardware		check website for link
faux tin panels		check website for link
wood glue		
brad nails and 1.25" pocket hole screws	several	

*Remember!*

Many of these cuts are best made as you go. If you have questions, check out the tutorial on our site!

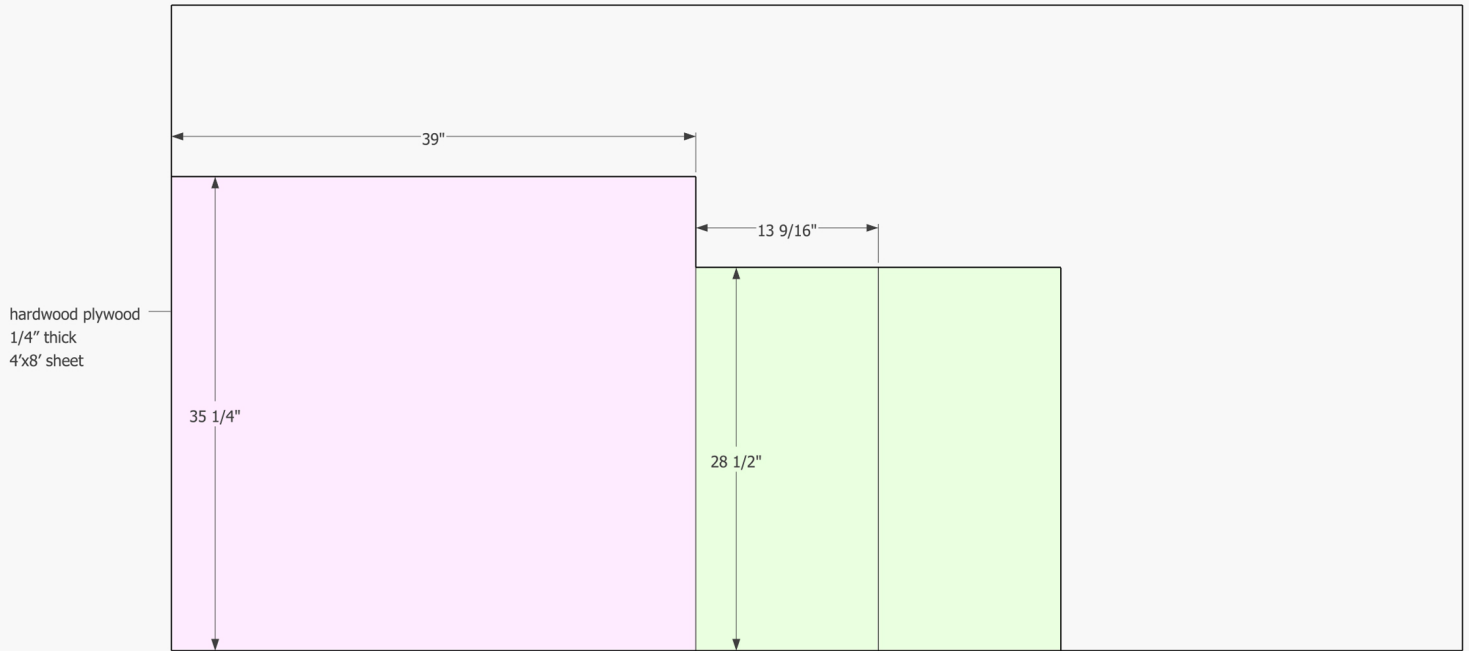
## CUT LIST

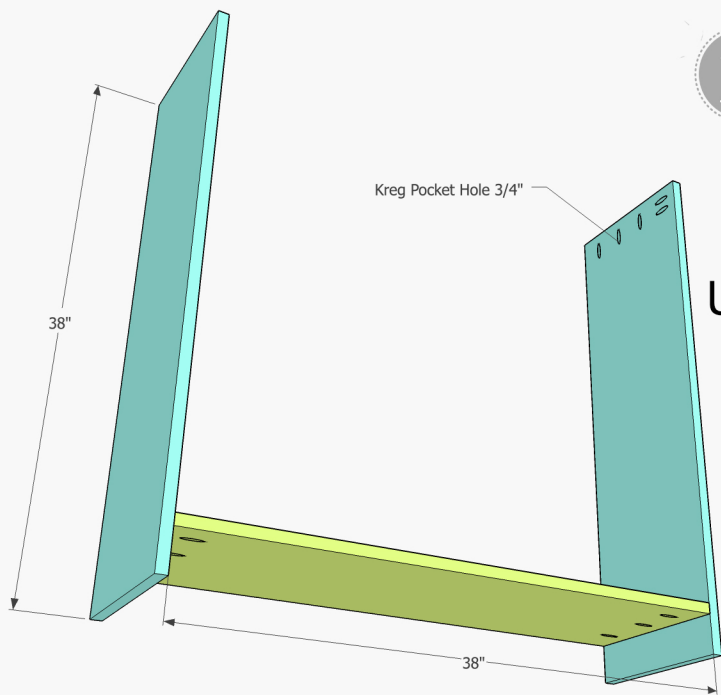


*Remember!*

Many of these cuts are best made as you go. If you have questions, check out the tutorial on our site!

## CUT LIST

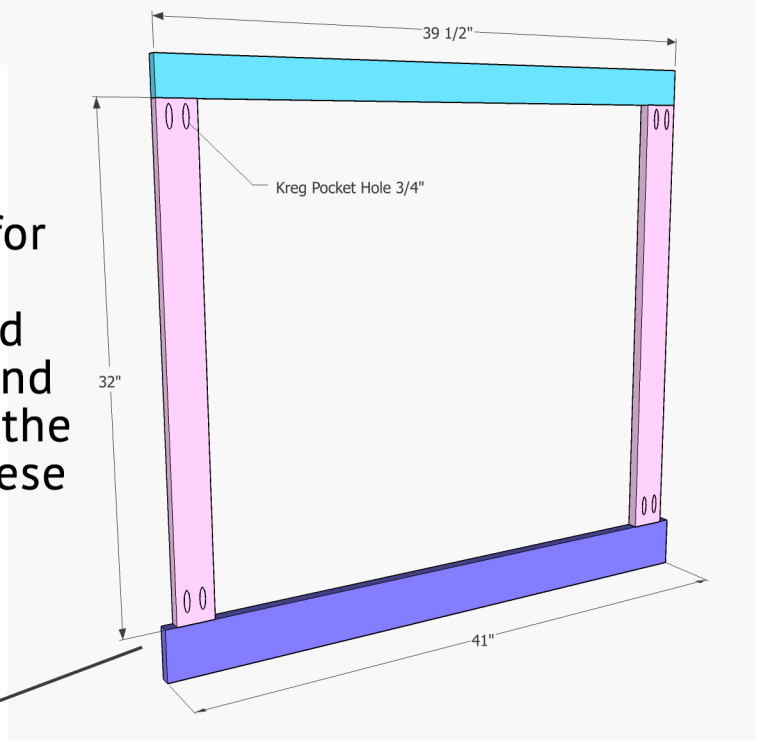




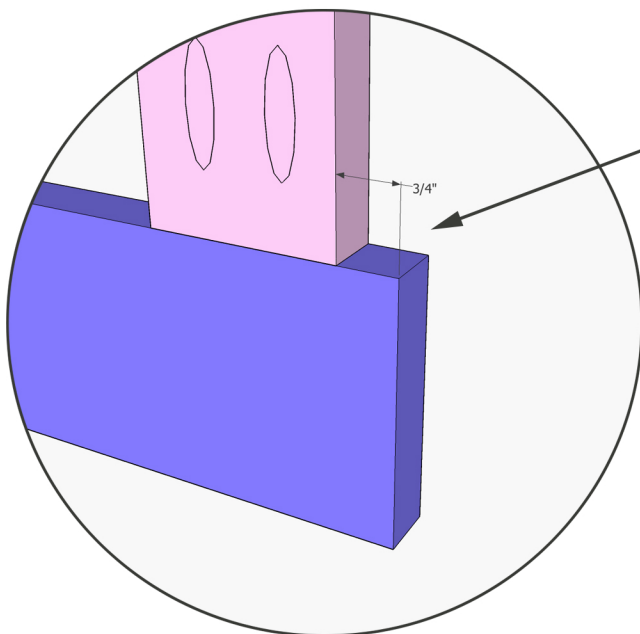
**1** The first step is building the box of the cabinet. This uses 3/4" hardwood plywood. We have the hardware store rip it for us, and we make the smaller cross cuts at home. Use a Kreg Jig to make 3/4" pocket holes on the base and side pieces. Attach the base piece to the side pieces using 1.25" pocket hole screws and wood glue. Line the board up 2.75" from the bottom of the boards like shown.

**2**

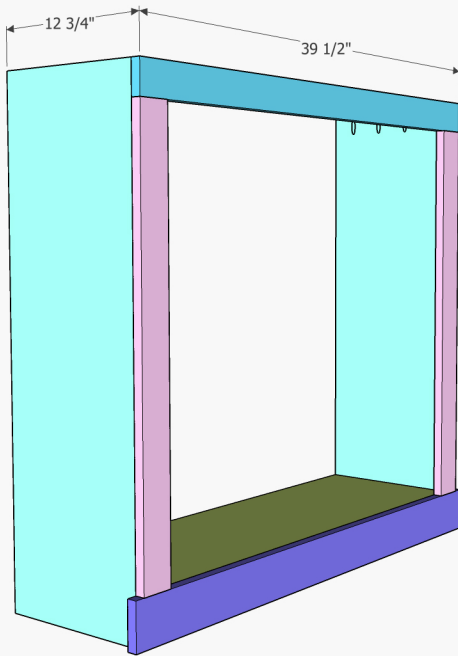
Next, cut and attach the boards for the face frame. Attach the side boards to the bottom base board and top board using wood glue and 1.25" pocket hole screws through the 3/4" pocket holes. Note where these need to line up!



Line the boards up 3/4" from each side of the bottom board.

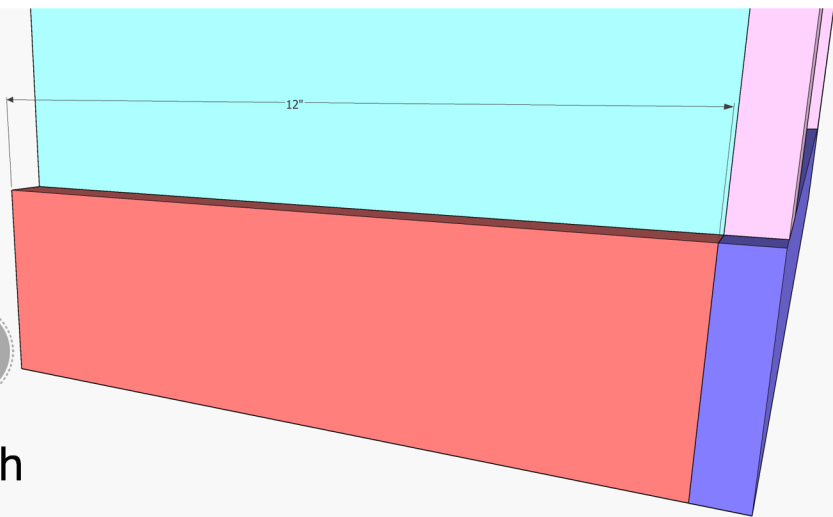






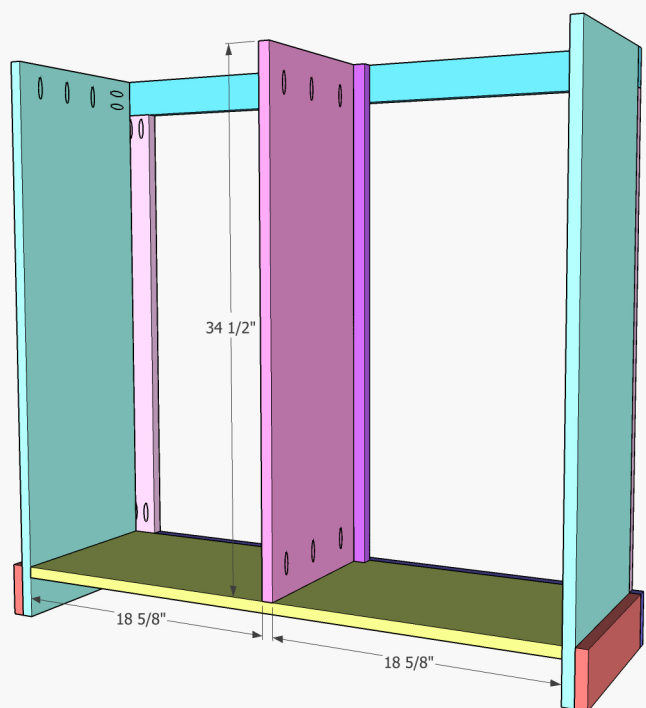
3

Next attach the face frame to the front of the cabinet using wood glue and 1.25" brad nails. The base board will overhang on each side by 3/4".



4

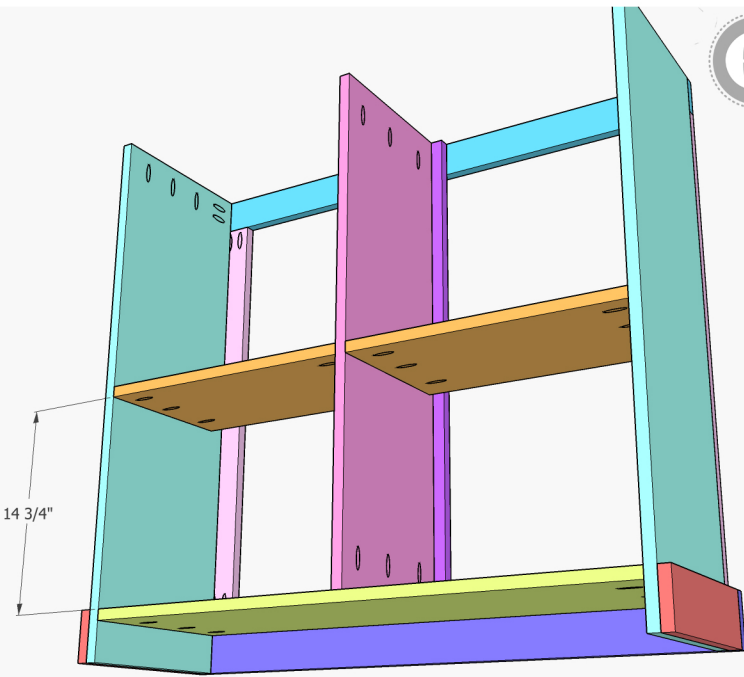
Attach the side base boards with wood glue and 1.25" brad nails.



5

Attach the divider to the center of the base using wood glue and 1.25" pocket hole screws. Attach the front and top of the center divider to the back of the front face frame using wood glue and 1.25" nails.

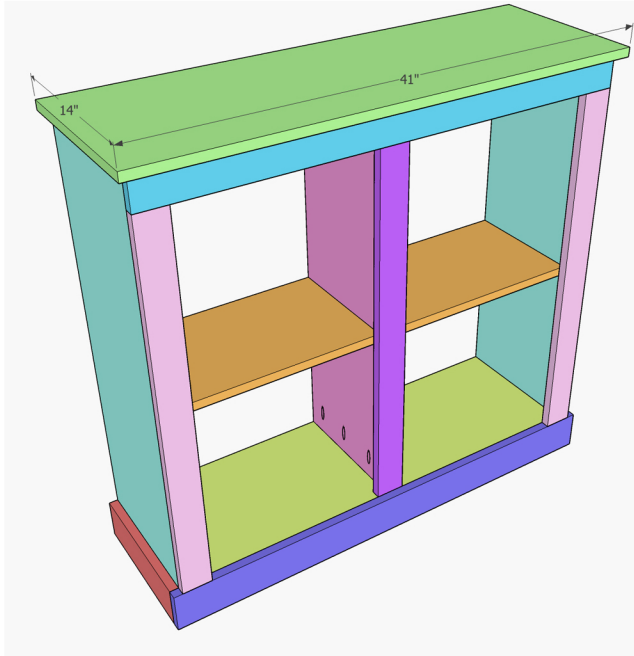
6



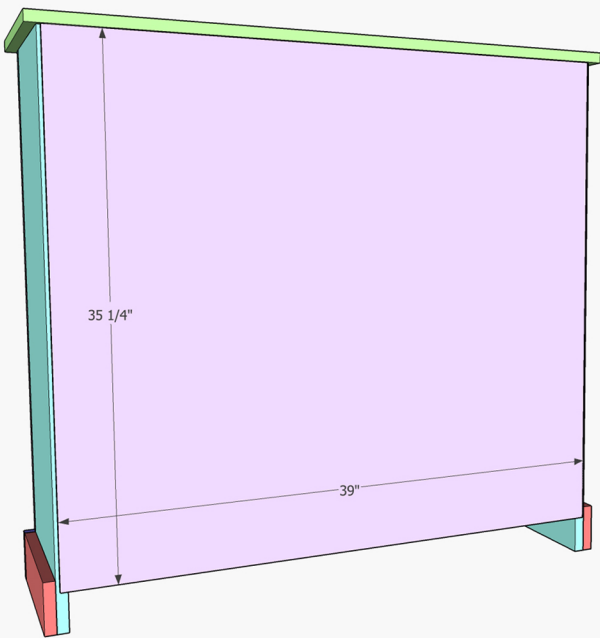
Attach the shelf boards next. These will also have 3/4" pocket holes on the bottom of both sides of each shelf board. Attach them to the cabinet using wood glue and 1.25" pocket hole screws. You can line your shelf boards up at any position that best fits your storage needs!

7

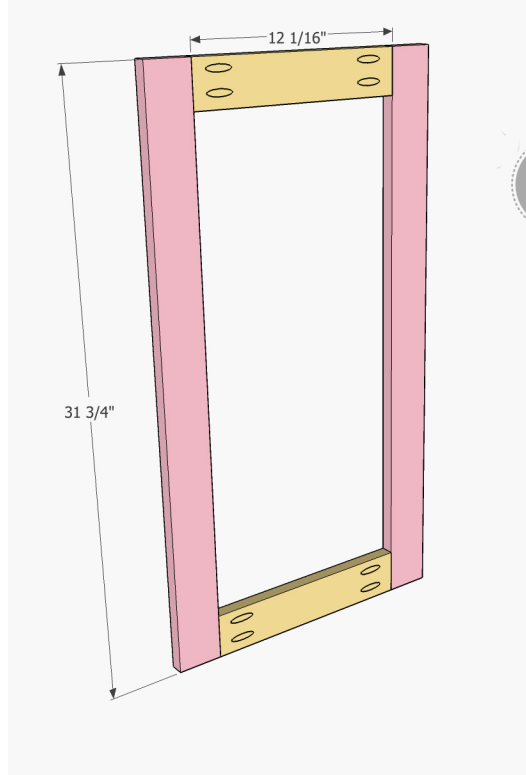
Now for the top! This is a project panel. I purchased one that was large enough and cut it down on my table saw. You will also have enough scrap 3/4" plywood to use for the top if you want to add a trim or edge band to it and save money. Attach the top by placing the cabinet upside down on the panel and use 1.25" pocket hole screws through the pocket holes on the cabinet and into the top.



8



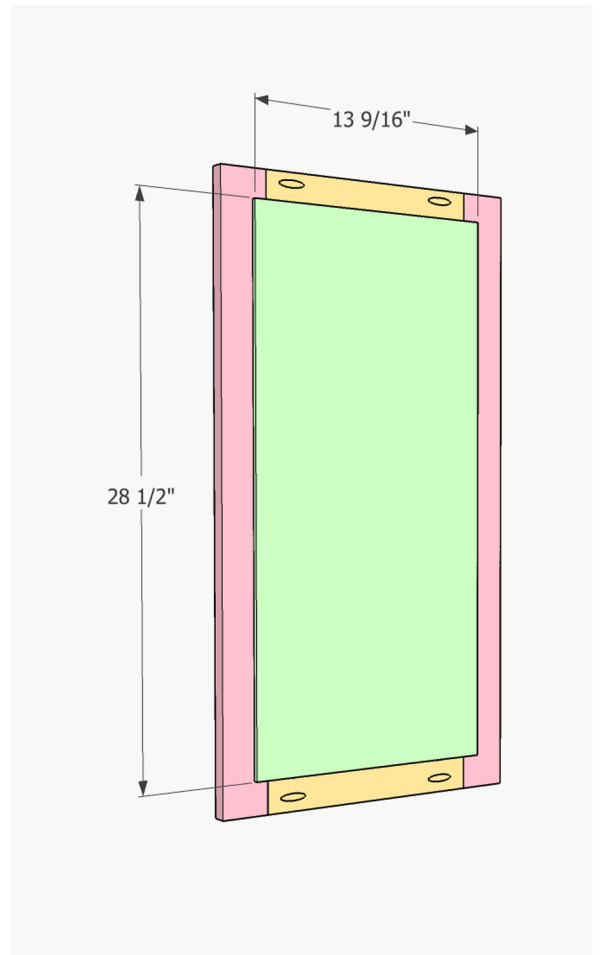
The final step of the cabinet is attaching the 1/4" hardwood plywood back. We like to attach ours using a stapler, but you can also use a nailer on this part.



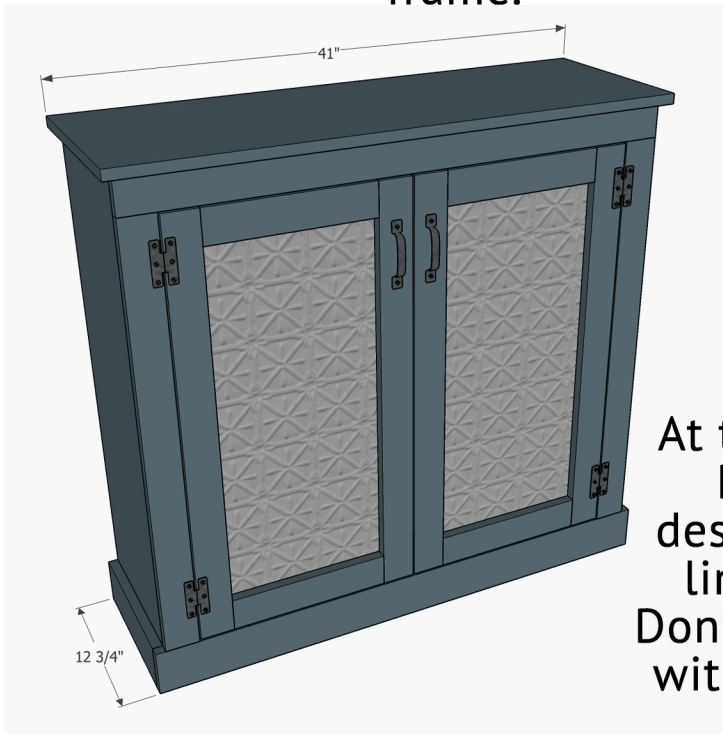
9

Now to build the doors!  
Build the frames of the doors first by attaching the smaller 1x3 boards to the longer 1x3 boards using wood glue and 1.25" pocket hole screws through the 3/4" pocket holes. I have given measurements here, but it's always best to measure your cabinet to get an exact fit!

10



Once you paint the faux tin and it's dry, and paint or stain your door frame, use a hot glue gun to attach the faux tin panel to the plywood backing. Then, use a stapler or nailer to attach the panel to the back of the door frame.



At this point you can add your hardware!  
Be sure to check our website or the description box on the YouTube video for links to the hardware we chose to use. Don't forget to share your finished projects with us! Just use #shanty2chic when you share them on Instagram!