



©2022 WWW.SHANTY-2-CHIC.COM



# TV Console Storage Table

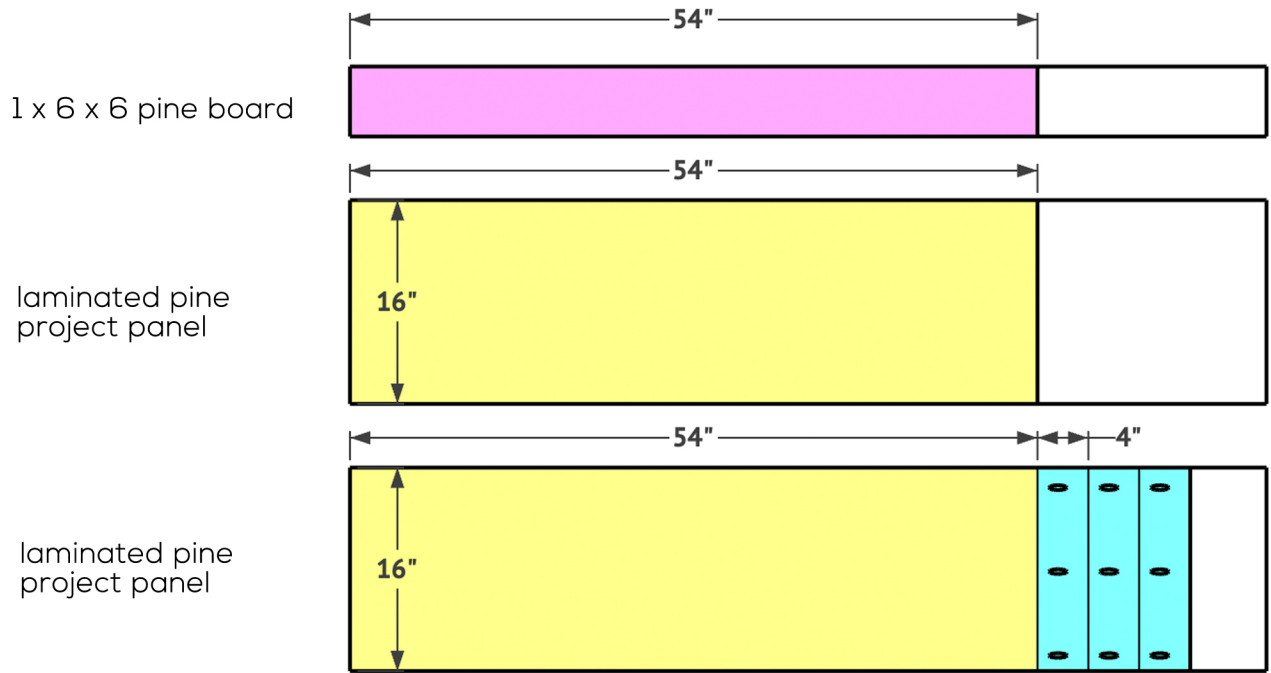
## Supply List

Item	Quantity	Description
16" x 72" laminated pine project panel	2	
1 x 6 x 6'	1	pine
metal hairpin leg	4	see post for link
piano hinge	2	see post for link
magnetic catch	2	see post for link
black metal pull	1	see post for link
Kreg Pocket Hole Screws	several	1" and 1.25"

*Remember!*

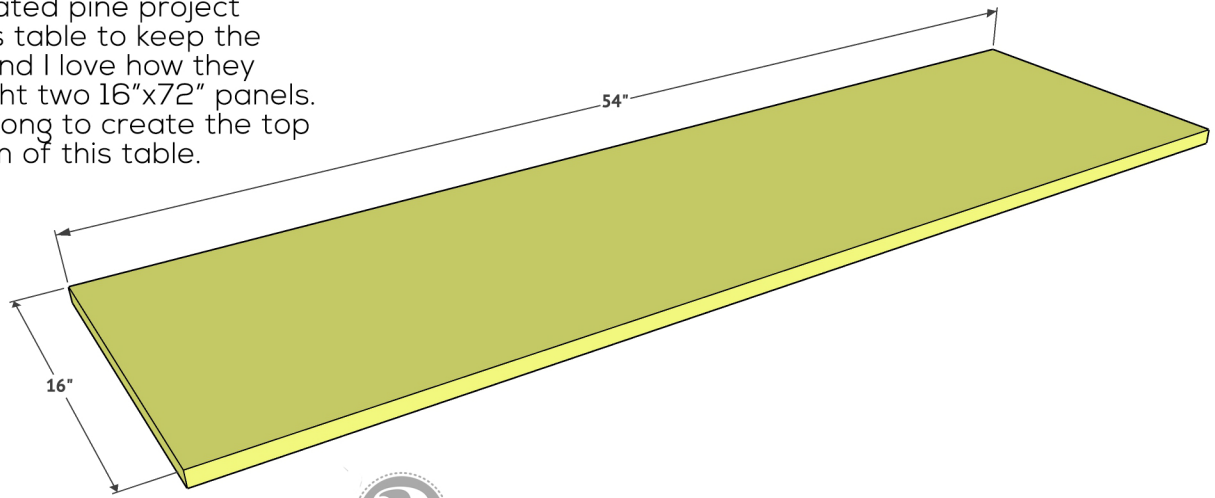
Many of these cuts are best made as you go. If you have questions, check out the tutorial on our site!

## CUT LIST



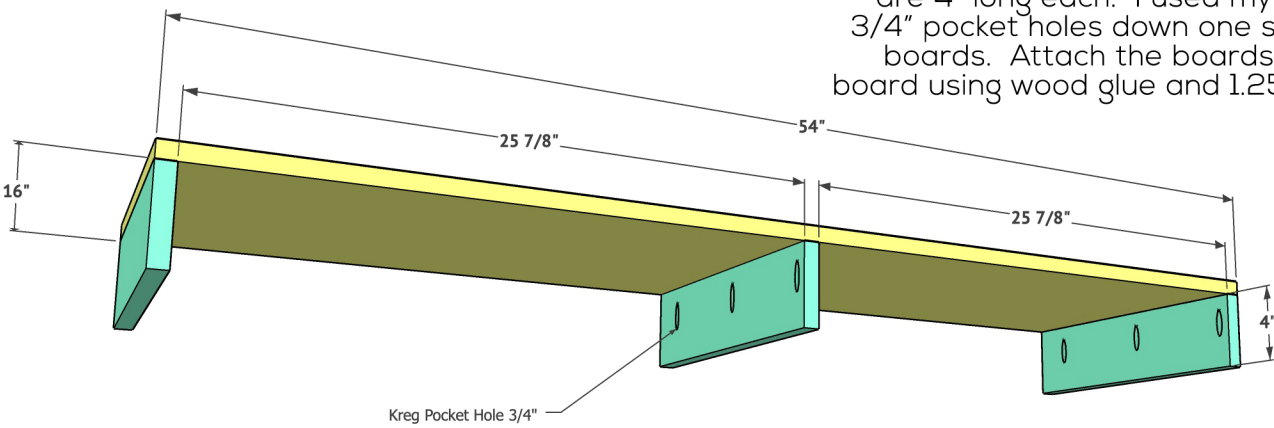
1

I used laminated pine project panels for this table to keep the price down, and I love how they take stain. I bought two 16"x72" panels. I cut both to 54" long to create the top and bottom of this table.



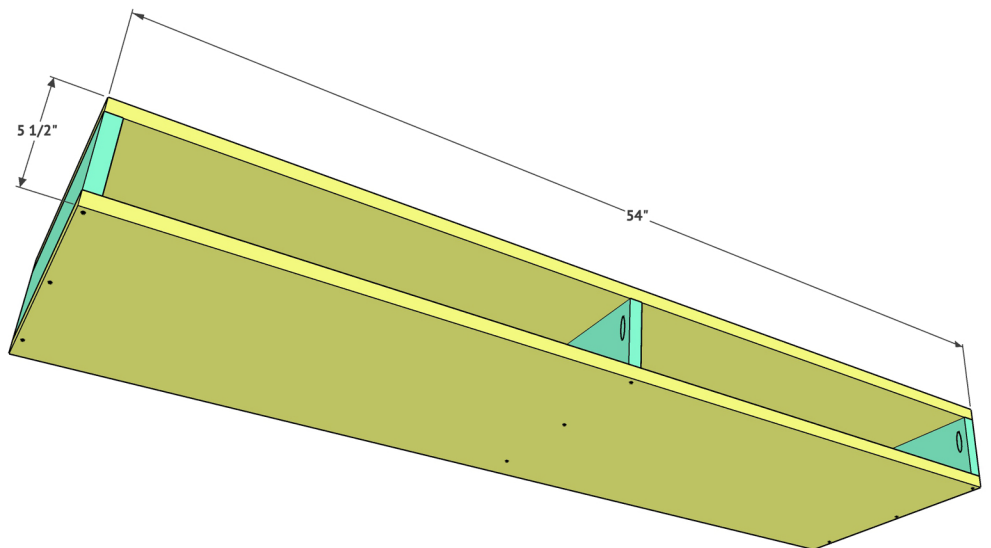
2

I used what was left from the pine panels to cut the 3 short vertical supports. Each of these are 4" long each. I used my Kreg Jig to create 3/4" pocket holes down one side of each of these boards. Attach the boards to the TOP table board using wood glue and 1.25" pocket hole screws.

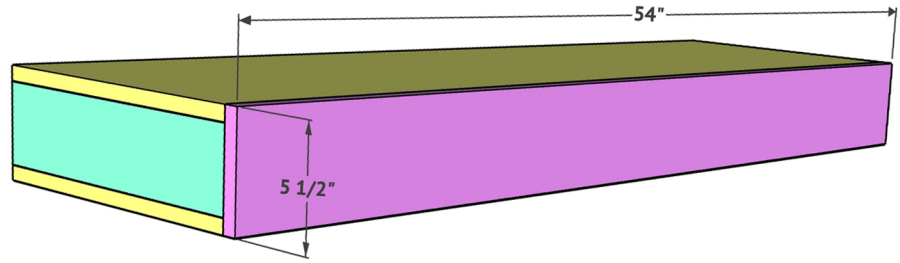


3

Next, attach the base of the table. Use the Kreg Quick-Flip to quickly pre-drill and counterbore 2" Kreg pocket hole screws through the base of the table and into the support boards. Be sure to add a line of wood glue between each support board and the base.



4



The front of the table is a 1x6 board. Cut the board to 54" and attach it to the piano hinge. Attach the magnetic closures to line up with the other end attached to the table.

Attach the 4 metal legs on the bottom of the table and stain or paint the table to fit your space. Add the metal pull and go hide all the things inside! We left the back side open to allow for extra ventilation of the video games.  
Happy building!