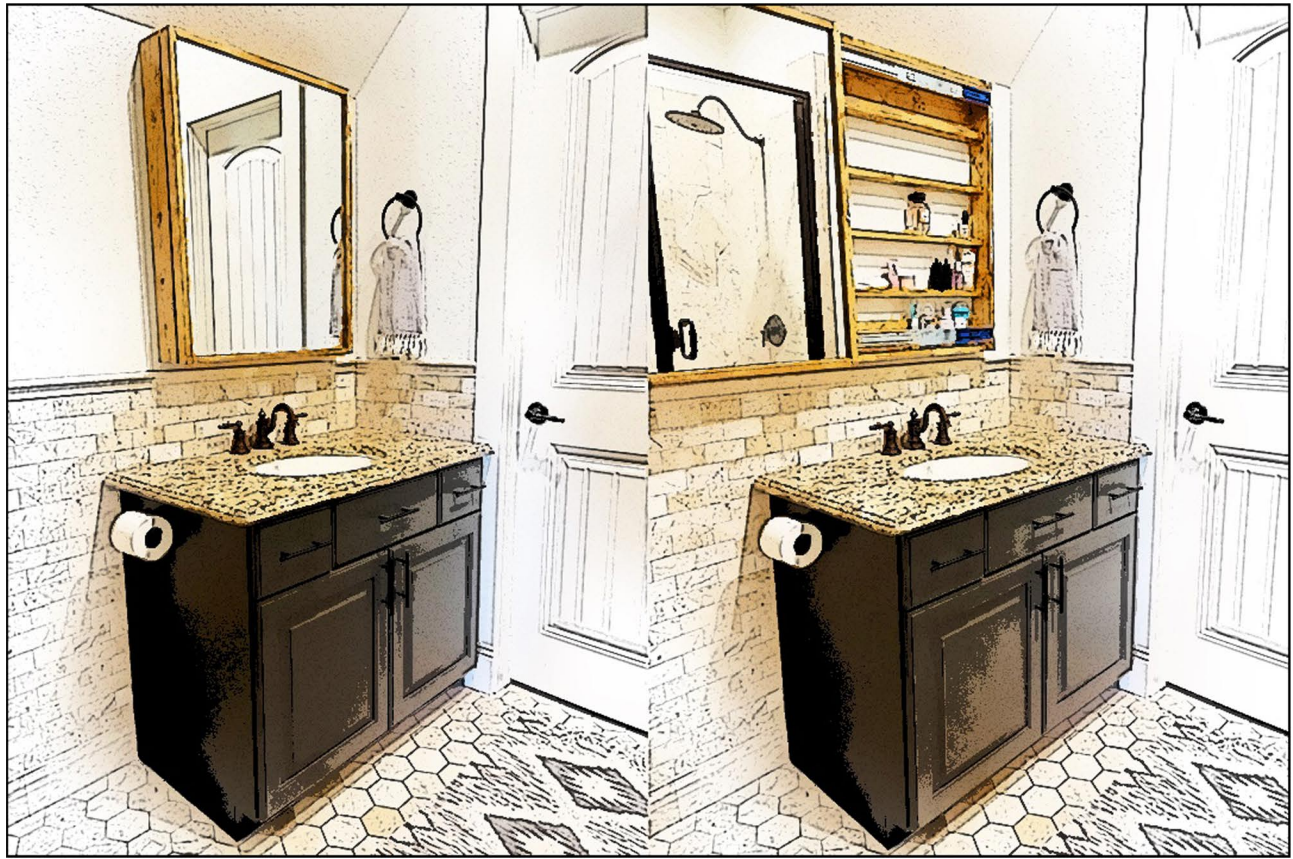




©2017 WWW.SHANTY-2-CHIC.COM



# DIY Bathroom Mirror with Storage

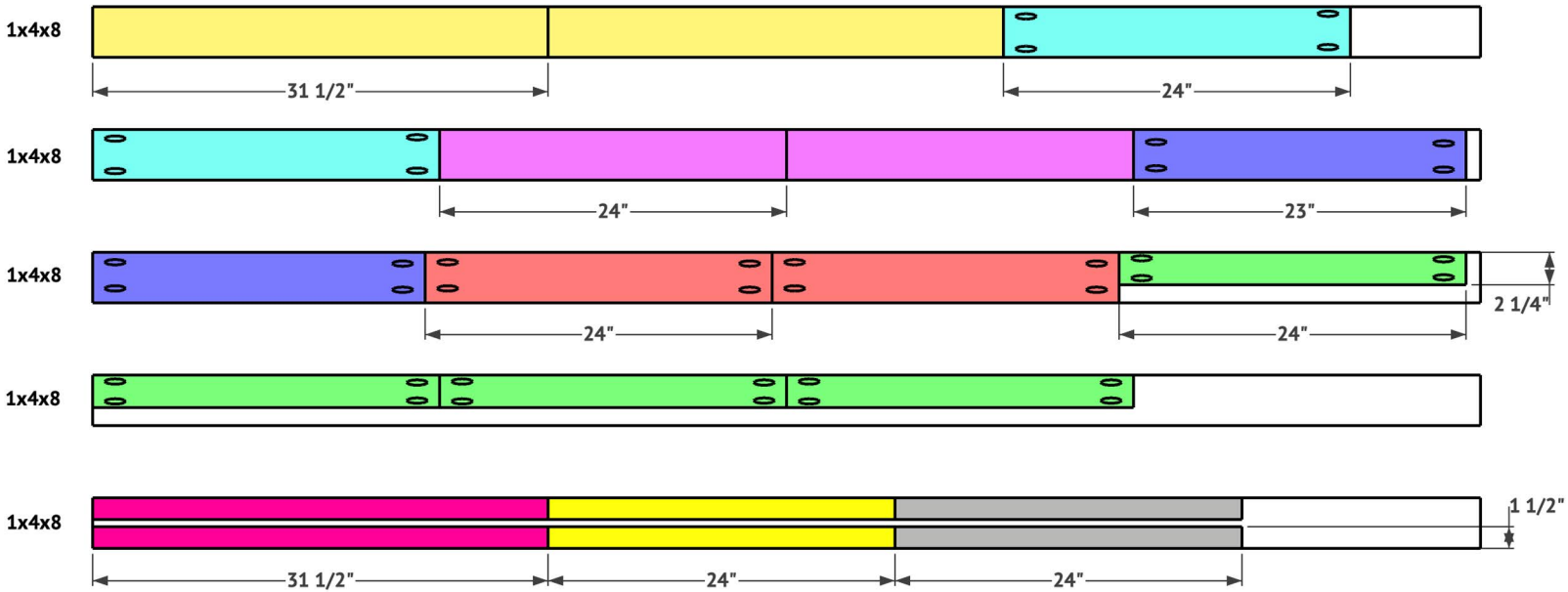
## SUPPLY LIST

Item	Quantity	Description
1x4x8	5	Pine or Common Boards
1 1/4" Pocket Hole Screws		
1 1/4" Brad Nails		
3" Wood Screws		
24" Drawer Slides	2	<a href="#">Link in Post</a>
24"x30" Frameless Mirror	1	<a href="#">Link in Post</a>
Construction Adhesive		<a href="#">Link in Post</a>
Wood Glue		
Wood Filler		<a href="#">Link in Post</a>
Wood Finish		<a href="#">Link in Post</a>
Polyurethane		<a href="#">Link in Post</a>

*Remember!*

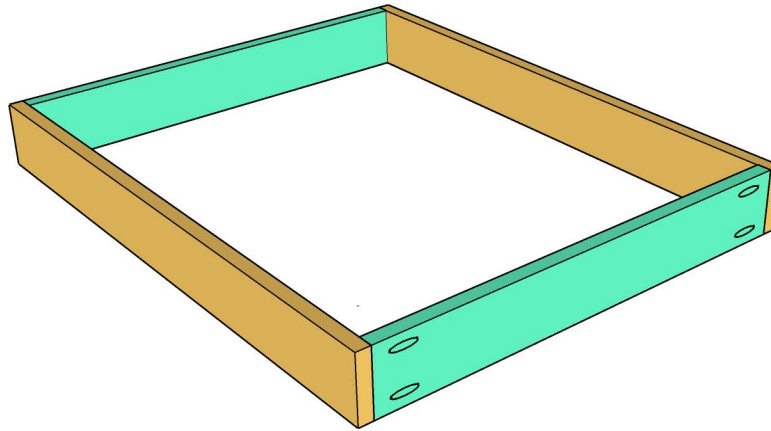
Many of these cuts are best made as you go. If you have questions, check out the tutorial on our site!

## CUT LIST



1

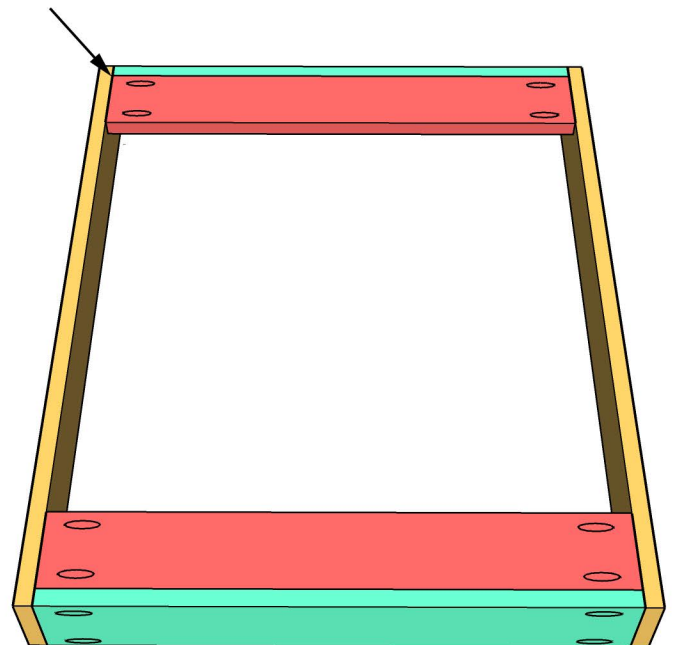
Cut the shelf frame boards to size and drill 3/4" pocket holes at both ends of the top and bottom pieces. Attach the boards together with 1 1/4" pocket hole screws and wood glue.



2

Cut the back cleats to size and drill 3/4" pocket holes at both ends. Attach them to the back of the frame with 1 1/4" pocket hole screws and wood glue. The pocket holes should face the back of the frame and be flush with the back of the frame.

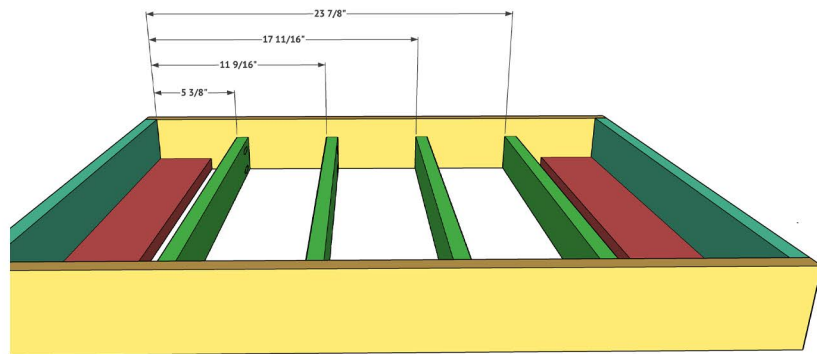
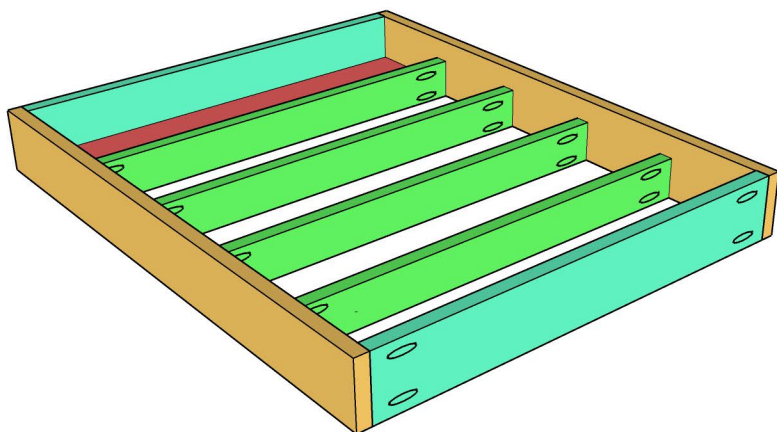
flush





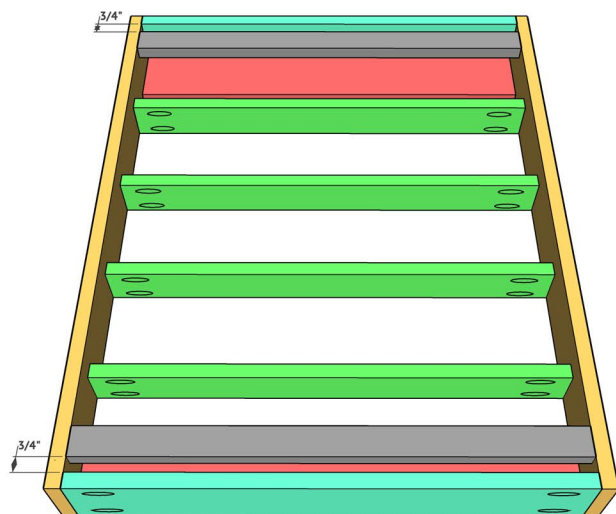
3

Cut the shelf boards to size and drill  $\frac{3}{4}$ " pocket holes at both ends. Attach them to the inside of the shelf frame with  $1\frac{1}{4}$ " pocket hole screws and wood glue. The back of the shelf boards should be flush with the back of the frame.



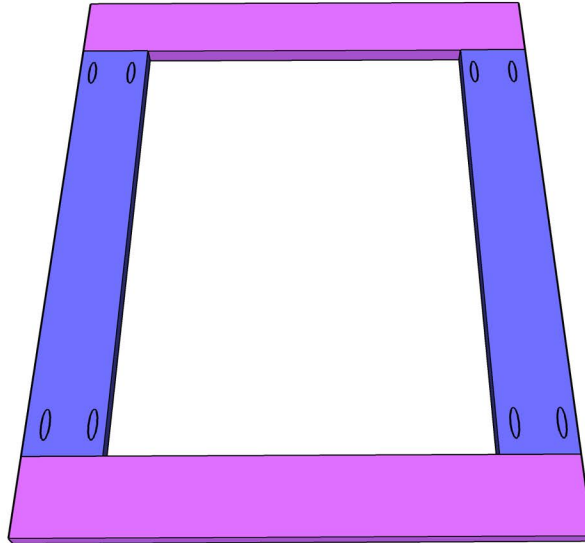
4

Cut the front cleats to size and attach them to the inside of the front of the frame with  $1\frac{1}{4}$ " brad nails and wood glue. They should be attached  $\frac{3}{4}$ " from the top and bottom frame boards and flush with the front of the frame.



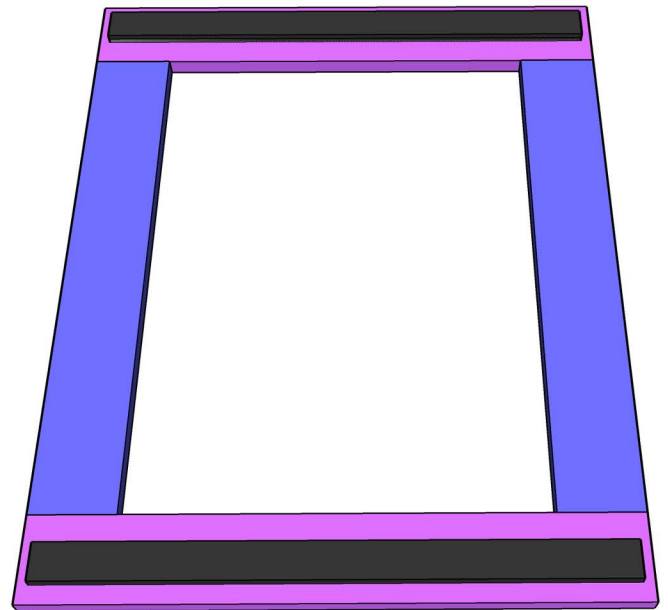
5

Cut the mirror frame pieces to size and drill 3/4" pocket holes in the side boards. Attach the boards together with 1 1/4" pocket hole screws and wood glue.



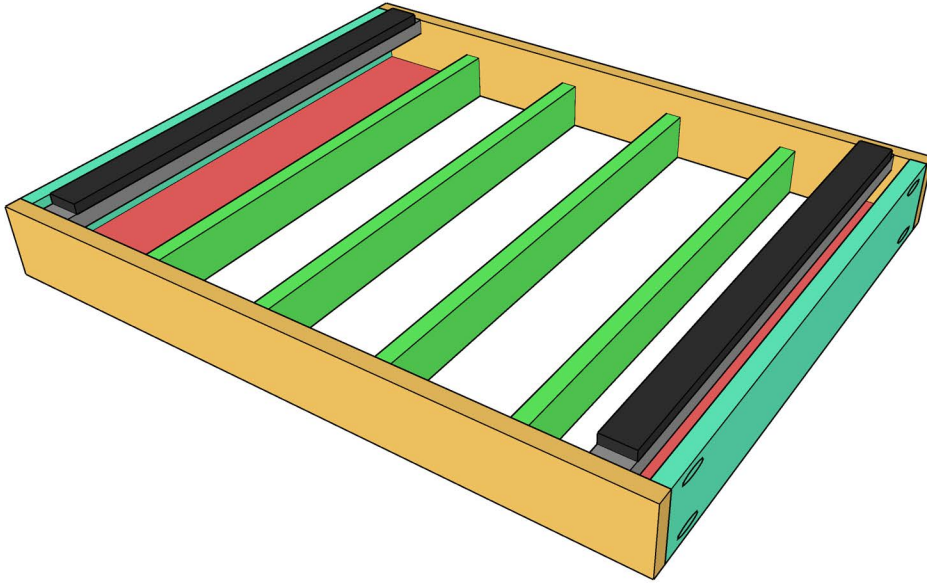
6

Flip the mirror frame over and attach the inside piece of the drawer slides to the back of the mirror frame. They should be attached where the front cleats of the shelf are attached. Dry fit with the shelf cleats and the other part of the drawer slides for a perfect fit.

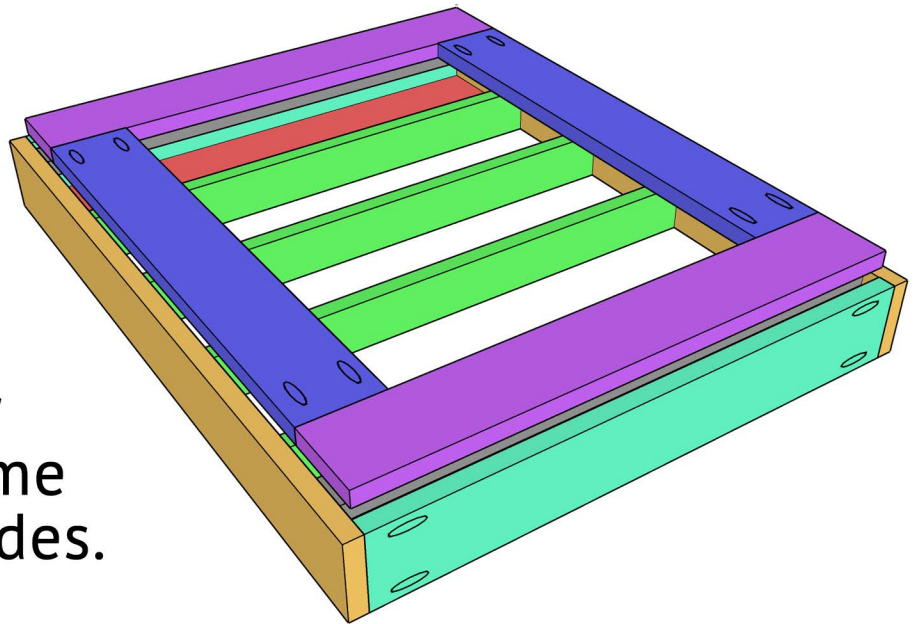




Center the main piece of the drawer slides on top of the front cleats and attach with the hardware provided. Make sure to dry fit them with the drawer slides on the mirror frame for a perfect fit.

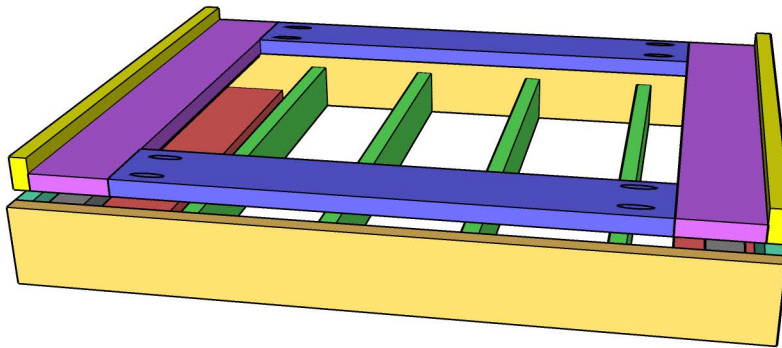


Slide the mirror over the shelf frame with the drawer slides.



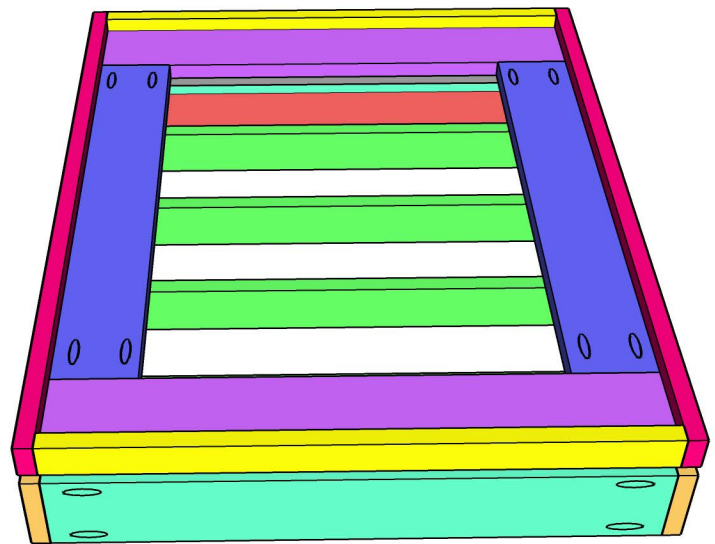
9

Measure and cut the top and bottom mirror trim pieces to size. Attach them to the mirror frame with 1 1/4" brad nails and wood glue. The bottom of the trim pieces should be flush with the bottom of the mirror frame.

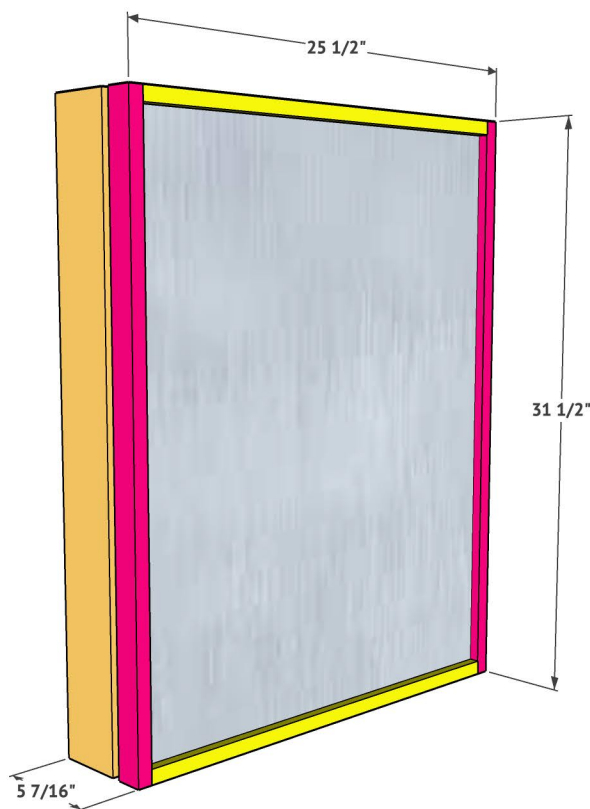


10

Measure and cut the side trim pieces to size. Attach them to the mirror frame with 1 1/4" brad nails and wood glue.







Sand down the entire cabinet and add a finish! Once the finish is dry, attach the mirror to the inside of the mirror frame with an adhesive.

To attach the cabinet to the wall, locate the studs behind the wall and drive 3" wood screws from the cleats into the studs behind the wall. I used two wood screws for each cleat.

Make sure to share your builds with us on social media and use #shanty2chic so we can share them too!

Happy Building!