



©2022 WWW.SHANTY-2-CHIC.COM



DIY Media Dresser

Supply List

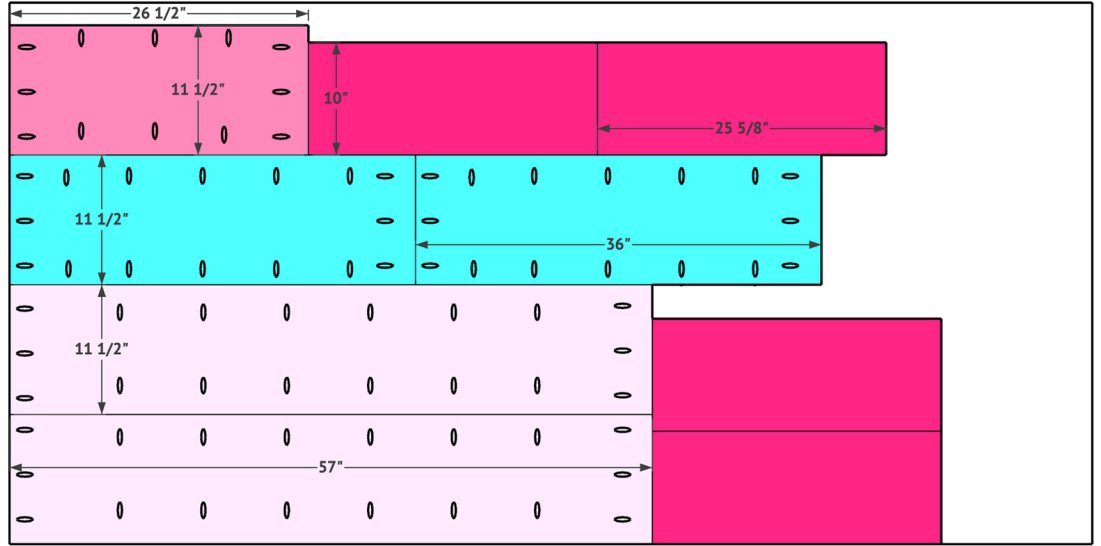
Item	Quantity	Description
2 x 6 x 8 boards	3	framing lumber
2 x 4 x 8 boards	6	framing lumber
1 x 4 x 8	1	pine or whitewood
3/4" hardwood plywood panel	1	48" x 96"
1/2" hardwood plywood panel	1	48" x 96"
1/4" hardwood plywood panel	1	48" x 96"
drawer slides	4 sets	12"
drawer pulls	4	check post for link!
1.25" pocket hole screws	several	
2.5" pocket hole screws	several	

Remember!

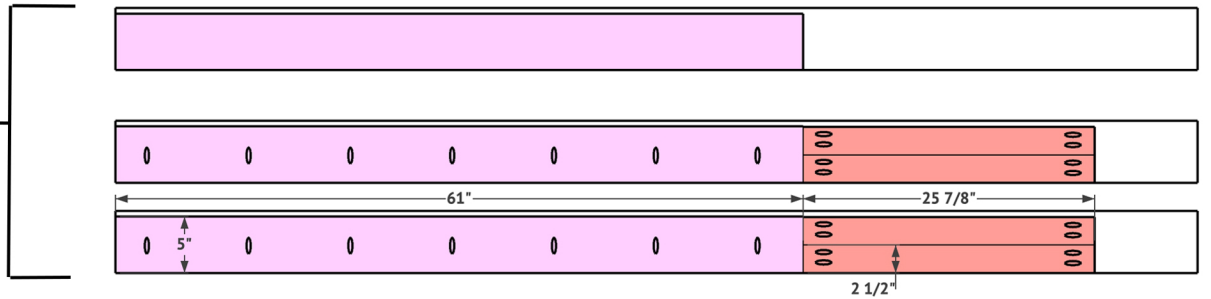
Many of these cuts are best made as you go. If you have questions, check out the tutorial on our site!

CUT LIST

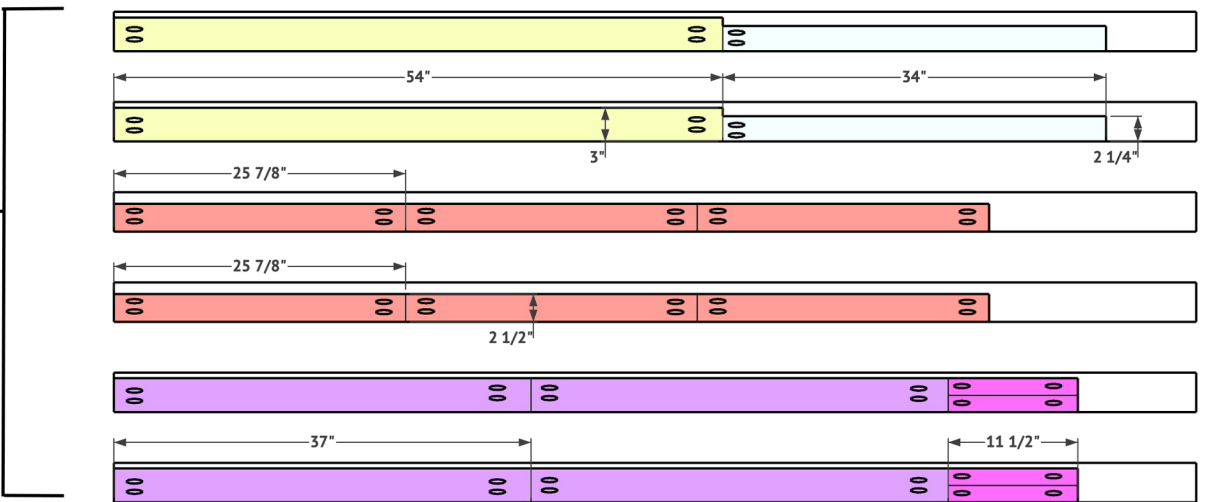
3/4" hardwood
plywood
4 x 8 sheet



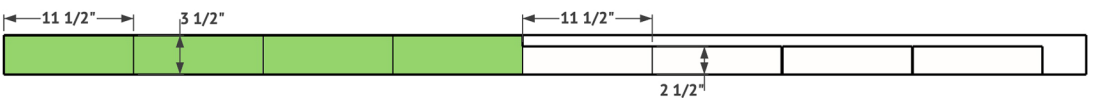
2 x 6 x 8



2 x 4 x 8



1 x 4 x 8

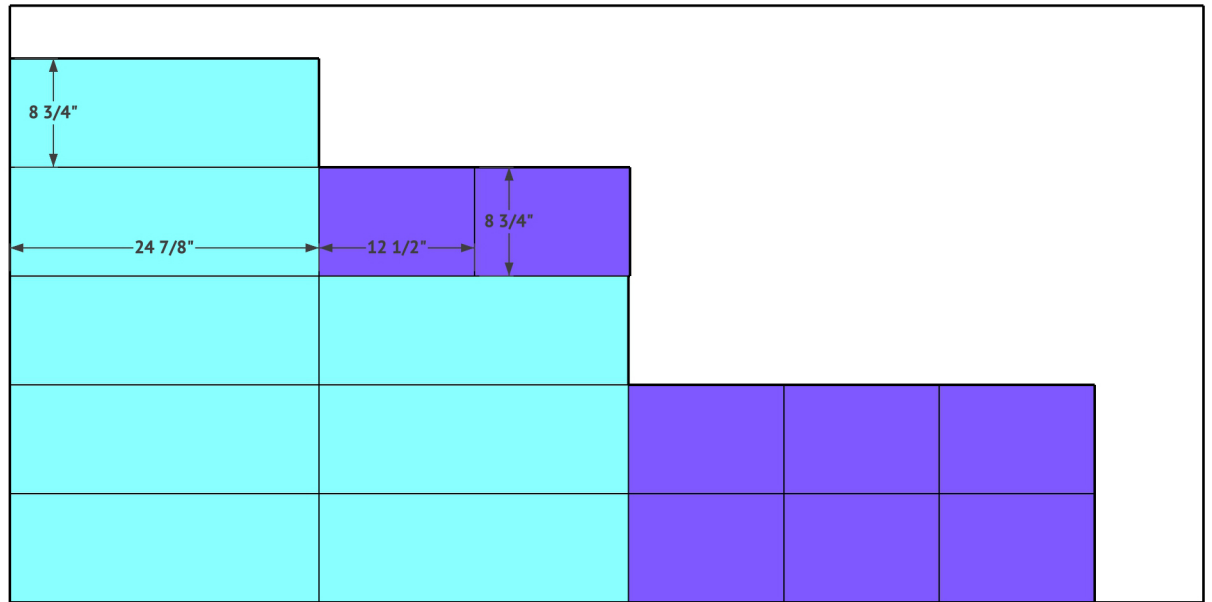


Remember!

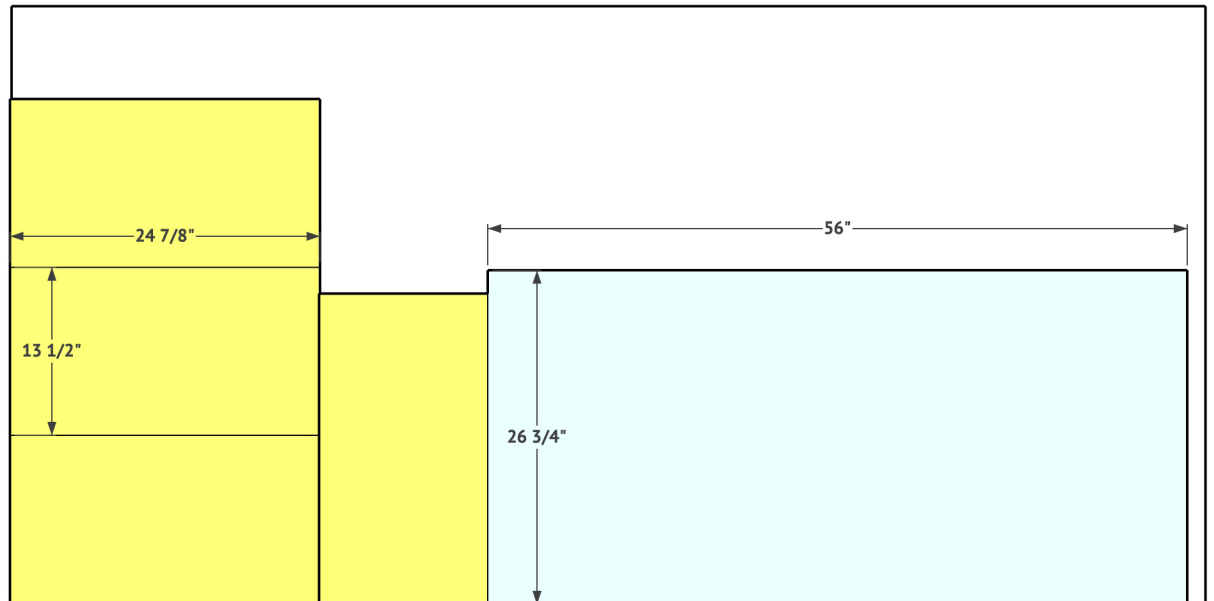
Many of these cuts are best made as you go. If you have questions, check out the tutorial on our site!

CUT LIST

1/2" hardwood
plywood
4 x 8 sheet

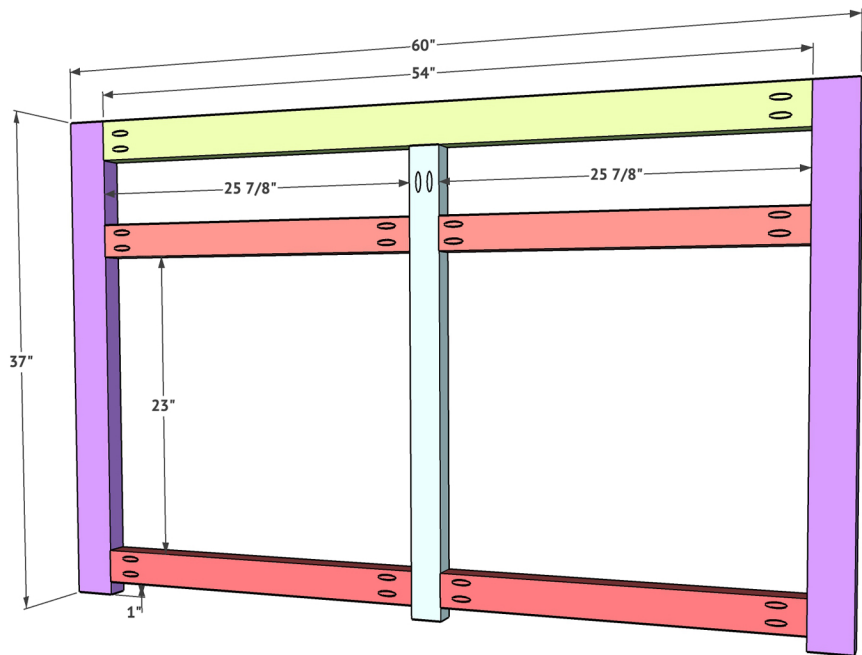


1/4" hardwood
plywood
4 x 8 sheet

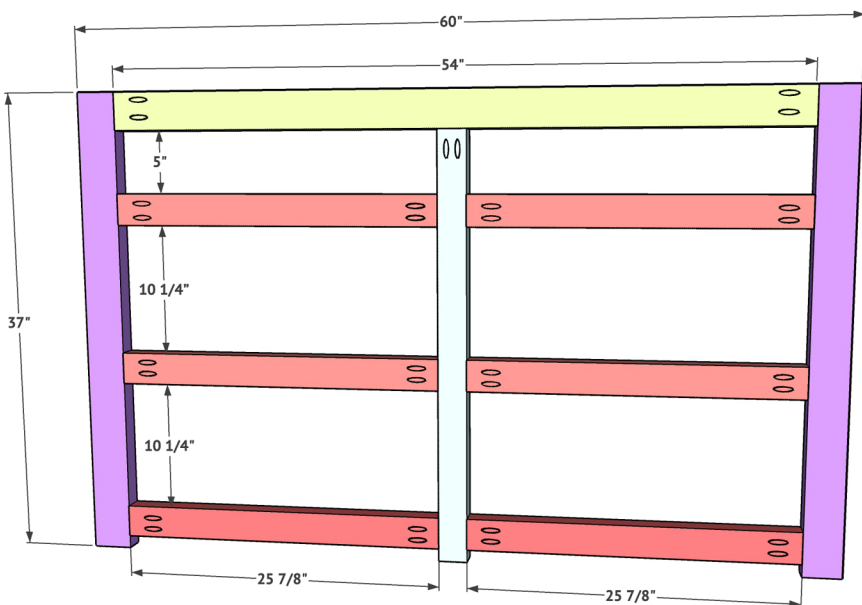


1

Build the face frames first. Both face frames are created using 2x4 that are ripped down to different sizes. I like to make my shorter cross cuts first and then rip them down to the proper width on the table saw. Once you have the pieces cut to size, add pocket holes as shown in the plans. These are 1 1/2" pocket holes. Attach the pieces together to form the face frame using wood glue in 2 1/2" pocket hole screws.



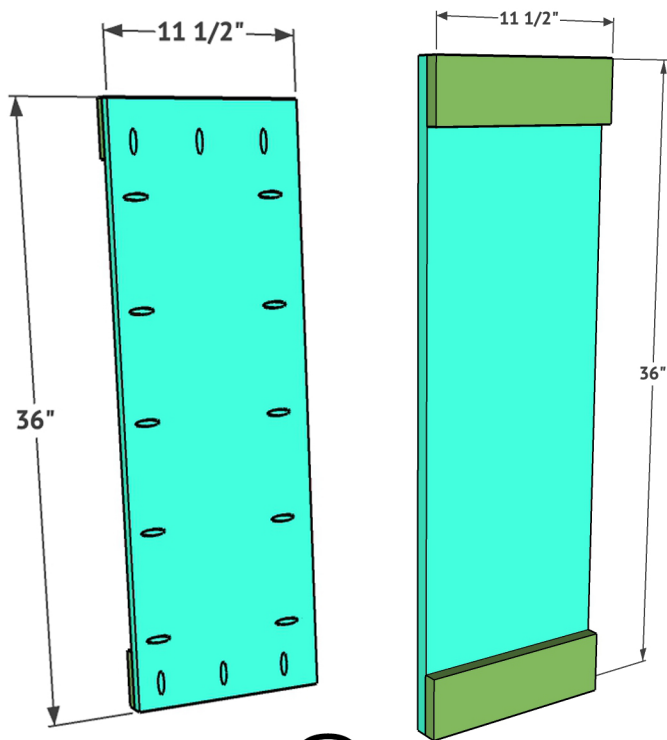
Back Face Frame



Front Face Frame

2

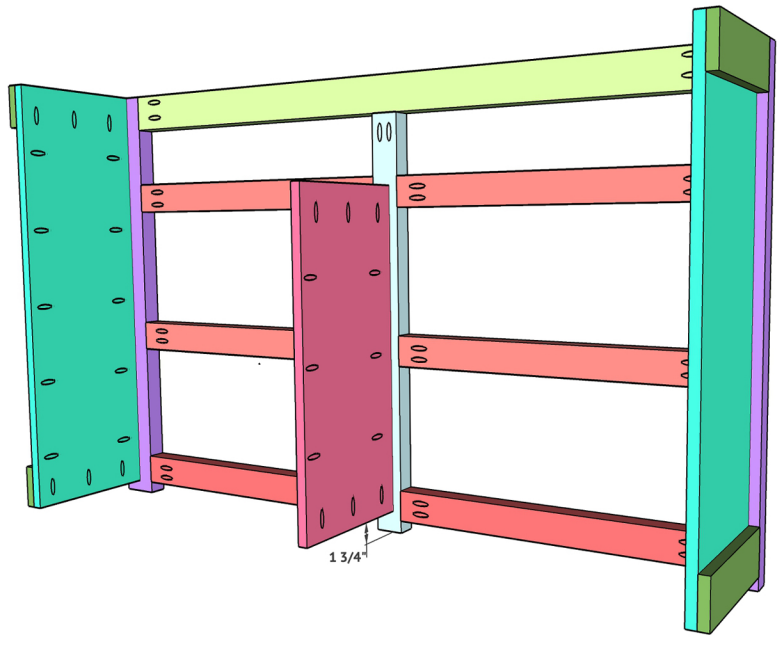
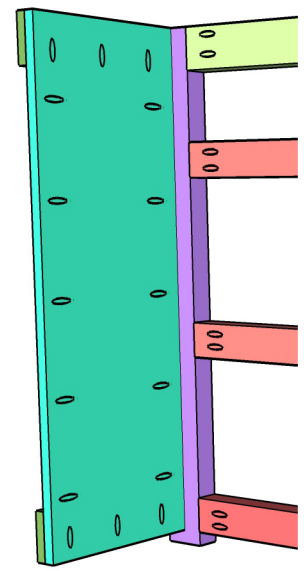
Next, create the two side pieces. These are 3/4" hardwood plywood ripped down and cut to size. Add 3/4" pocket holes down both sides and also along the top and bottom of these boards. Then, attach the trim pieces to the top and bottom of the other sides using wood glue and 1 1/4" brad nails. The trim pieces are 1x4 boards and they will line up flush with the top and bottom of each side piece. You will have two identical side frames.



x2

3

Now attach the side frames to the front face frame using wood glue and 1.25" pocket hole screws through the pocket holes on the side frames and into the face frame. You want the trim on the side frames to be flush with the edge of the face frame on both sides. The tops of the side frames will also be flush with the top of the face frame.

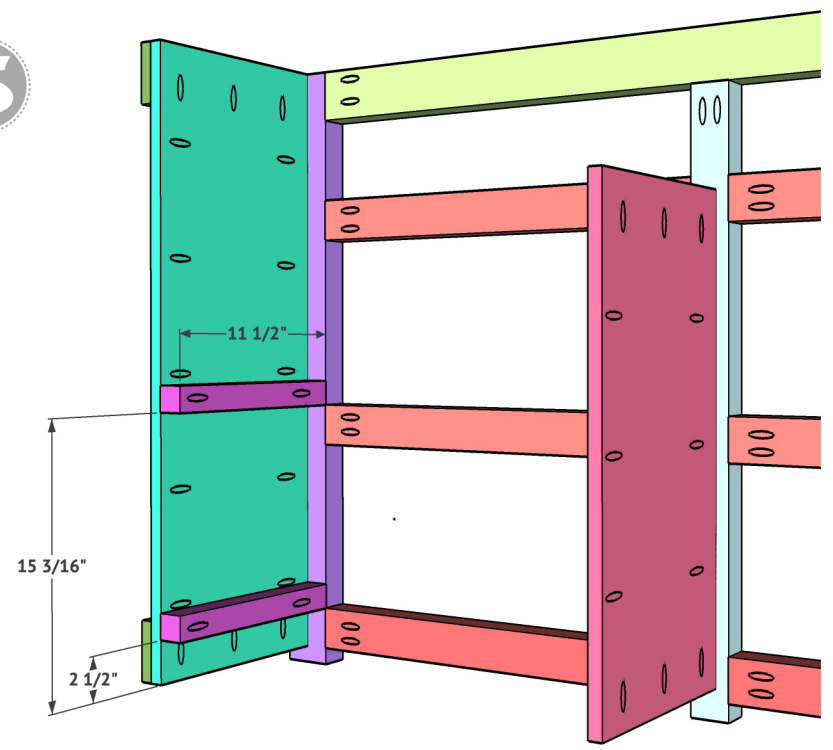


4

Attach the middle divider next. This is 3/4" hardwood plywood cut to size. Add 3/4" pocket holes around all edges, and then attach it to the middle leg using wood glue and 1.25" pocket hole screws. Make sure the middle divider is centered on the leg and it will sit 1 3/4" from the base of the leg.

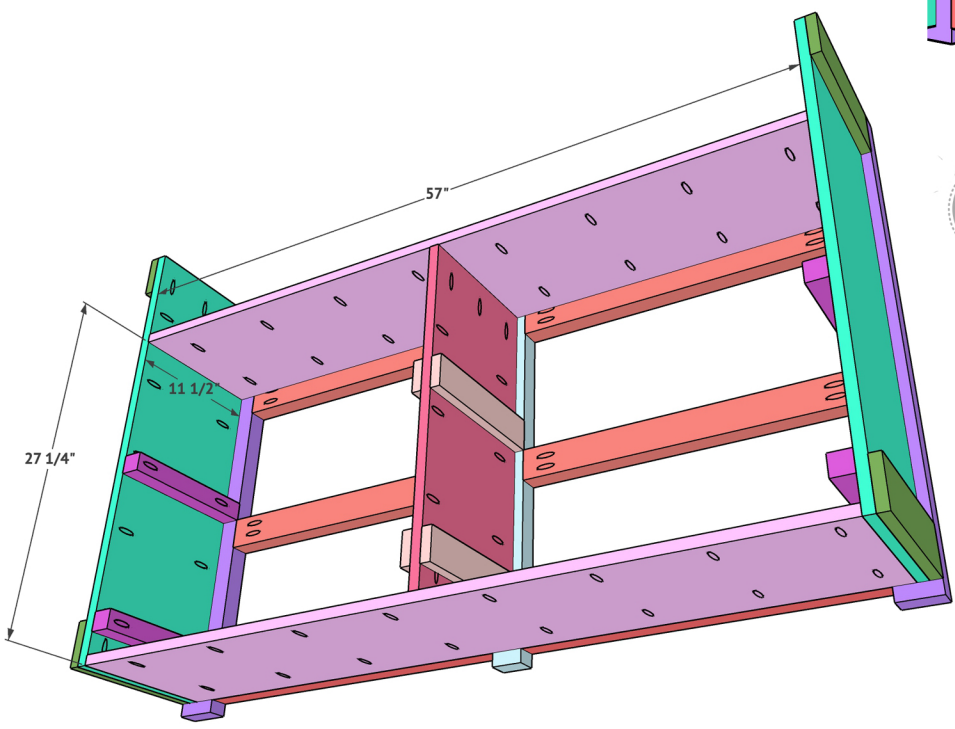
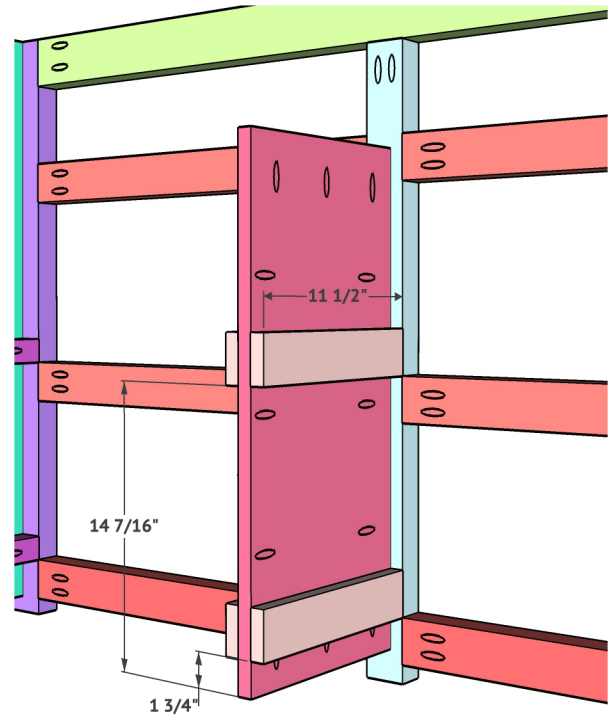
5

I like to add the cleats for the drawer slides now before closing the dresser in more. This allows more space making them easier to attach. For the outside cleats, I used 2x2 boards that I ripped from the 2x4 boards. Add a 1.5" pocket hole on the end of each each cleat and attach it with wood glue and 2.5" pocket hole screws into the front face frame.



6

The inside cleats are cut from the 1x4 board. Attach two cleats to each side using wood glue and 1.25" brad nails.

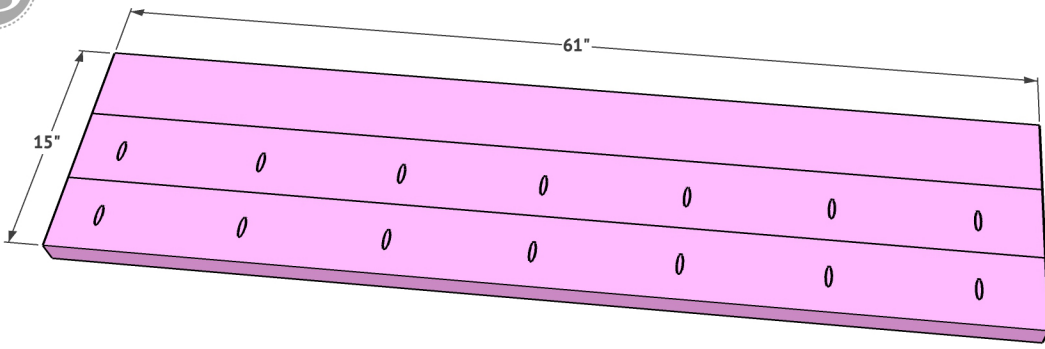


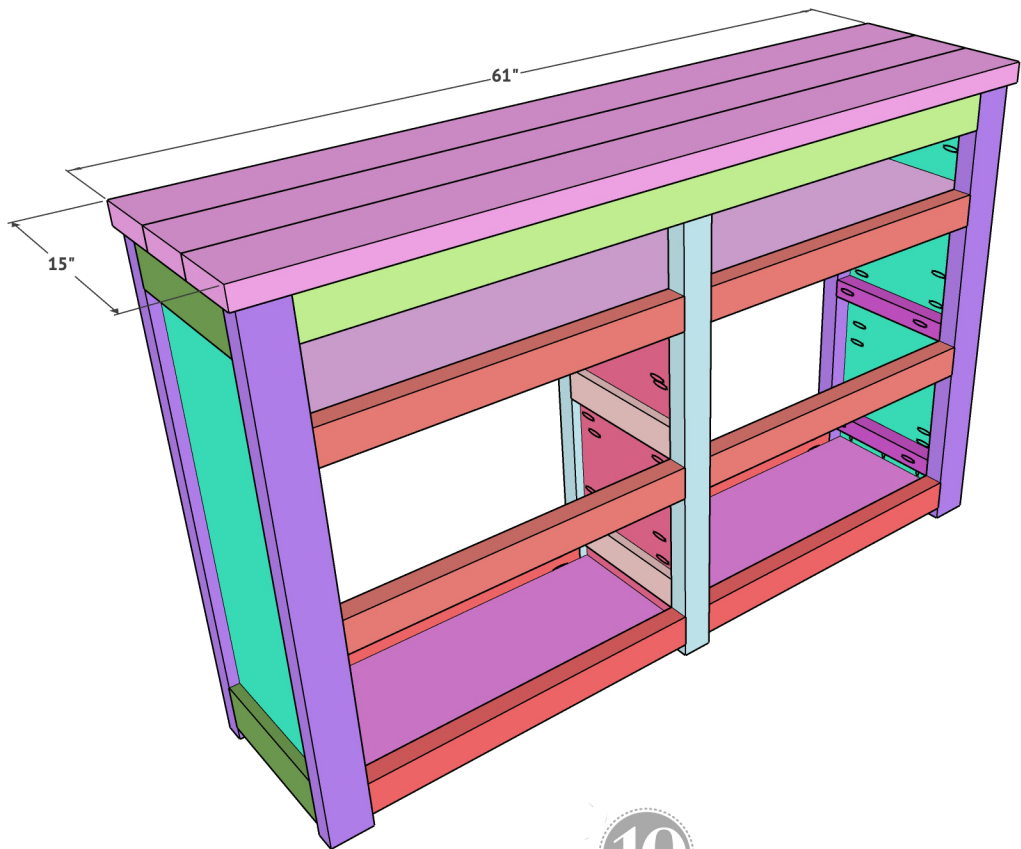
7

Attach the plywood shelves next. These are both 3/4" hardwood plywood cut to size. Add 3/4" pocket holes down all four ends of both pieces and attach them in place as shown. Attach to the sides and face frame using 1.25" pocket hole screws and wood glue.

8

Next build the dresser top. This is built using three 2 x 6 boards ripped to 5" wide each. Add 1.5" pocket holes down two of the three boards and plank all three together using 2 1/2" pocket hole screws.





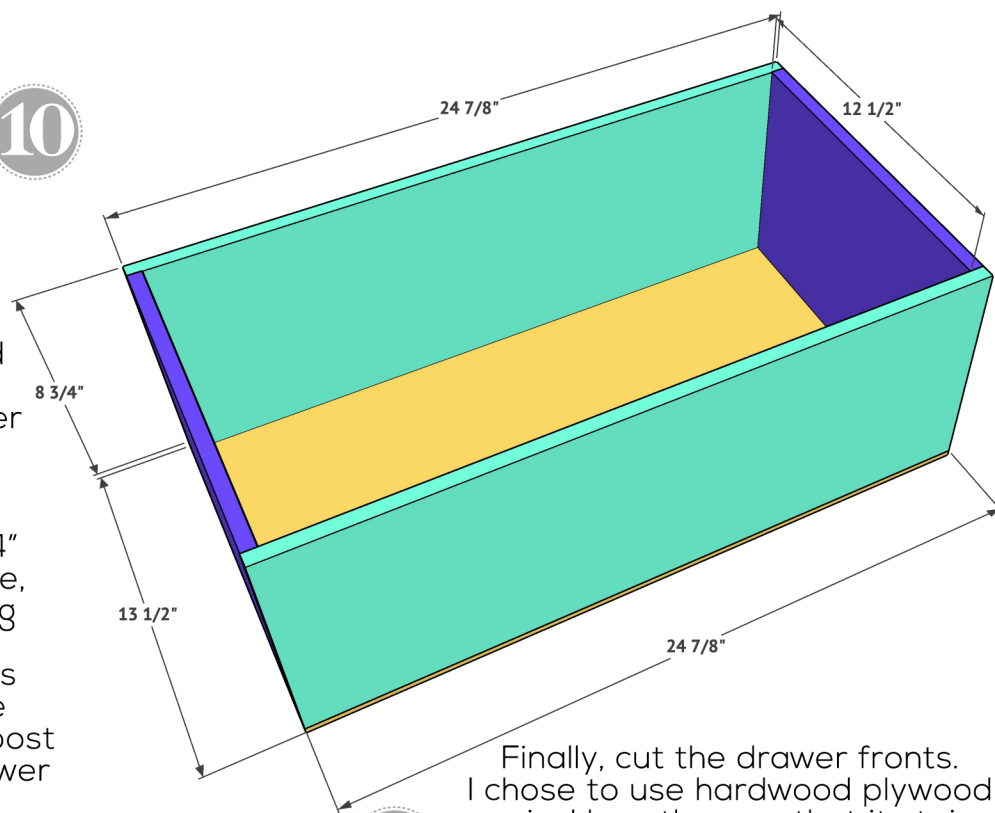
9

Attach the planked top to the top of the dresser using pocket hole screws through the pocket holes on the base of the dresser and up into the planked top. You will have a 1/2" overhang all the way around.

10

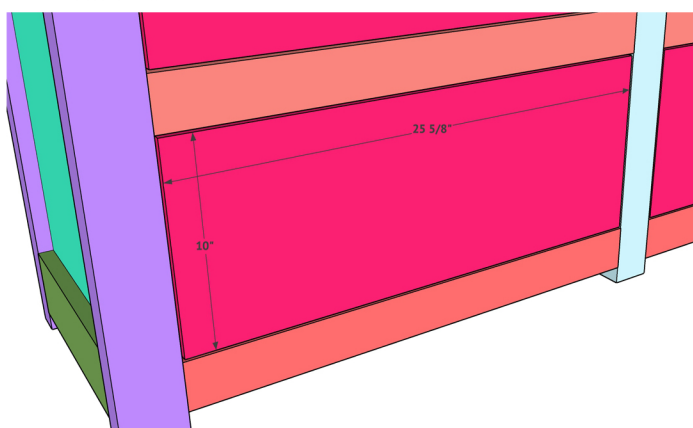
Build the drawers next. Be sure to measure each of your openings to get the best fit! The frame of these drawers are built with 1/2" hardwood plywood. Rip the plywood to 8.75" wide and then make your cross cuts. Attach the pieces together at the corners using wood glue and 1.25" brad nails.

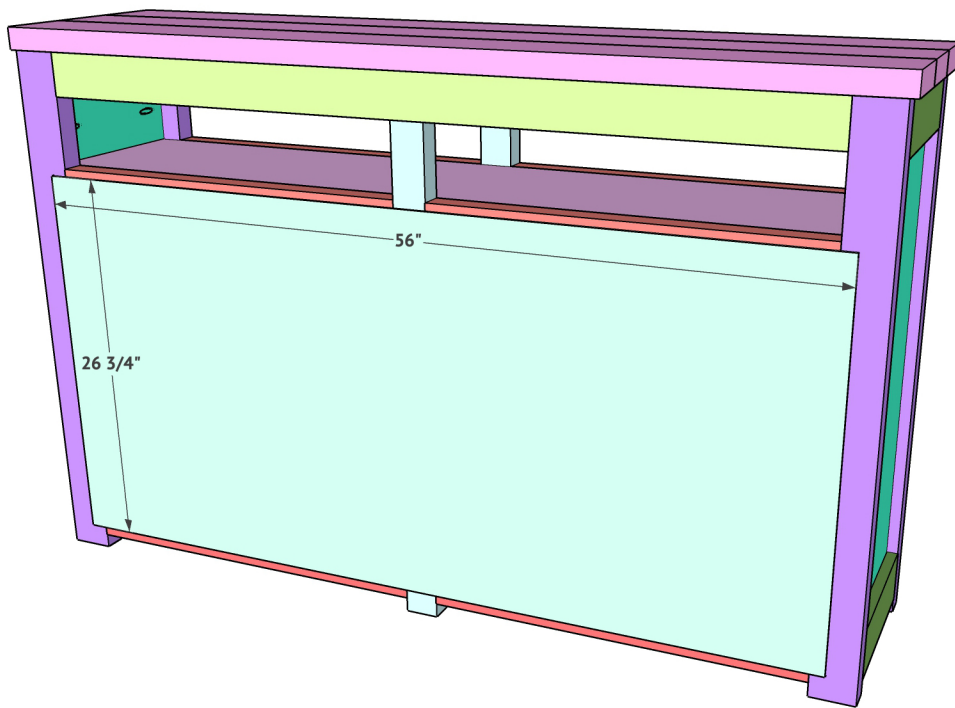
The bottom of the drawers are 1/4" hardwood plywood. Cut each to size, and then attach to the frame using wood glue and 1" staples or 1.25" brad nails. Staples are good on this part to hold that in place because it is a thinner material. Refer to the post for information on attaching the drawer slides.



11

Finally, cut the drawer fronts. I chose to use hardwood plywood again. I love the way that it stains and how straight the boards are to work with especially when building drawers. Cut each to size and use playing cards or other types of spacers to line each drawer up in place. I like to nail them in place from the front 2 times and then open the drawer and use screws from the inside of the drawer and into each face frame. Don't forget to use wood glue as well!





12

Final step is adding your back!
This is just 1/4" hardwood
plywood cut to size. Attach it
to the back of the dresser
using wood glue and 1" staples
or nails.