



©2017 WWW.SHANTY-2-CHIC.COM



DIY Outdoor Lounge Chair

SUPPLY LIST

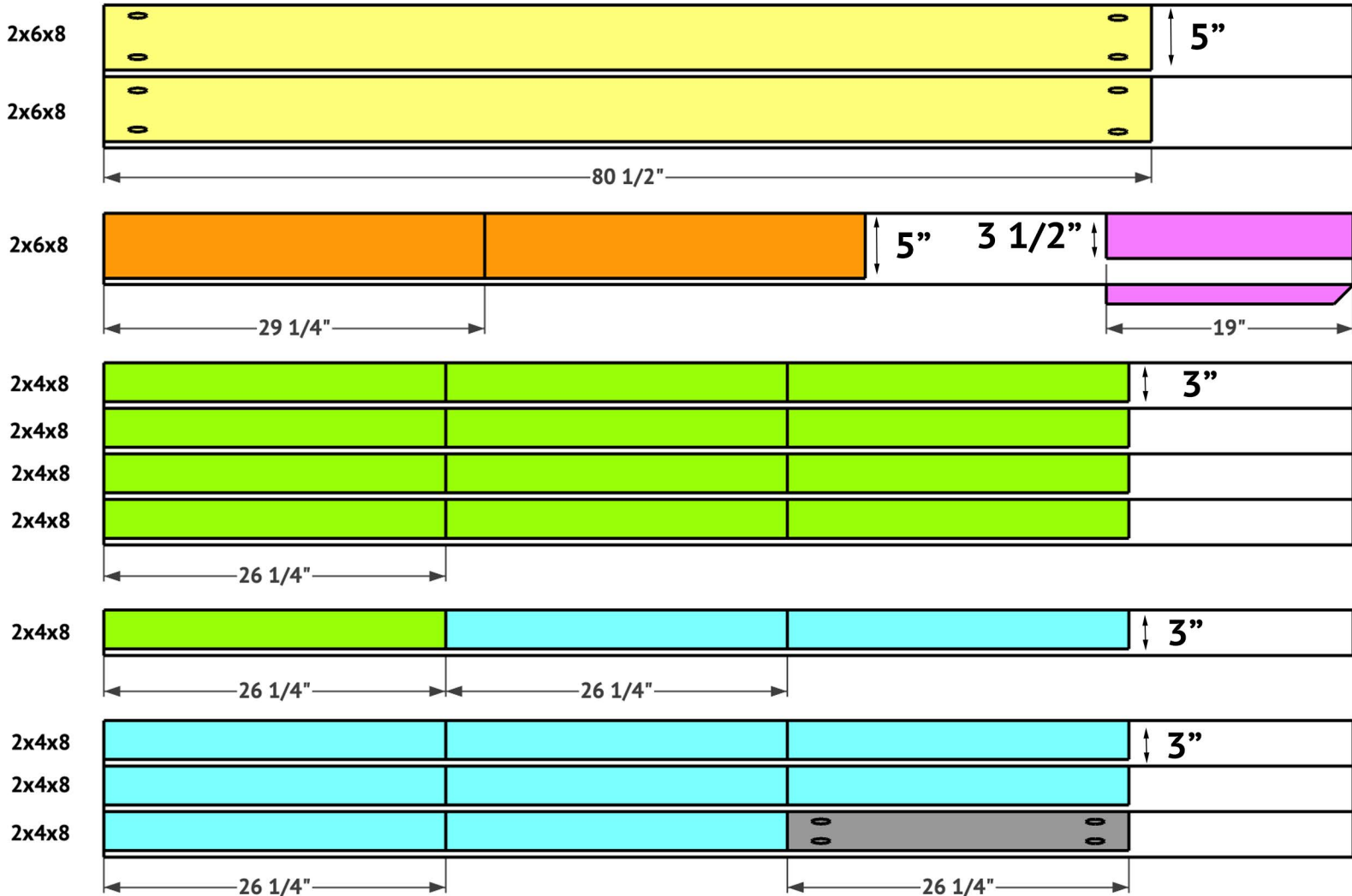
Item	Quantity	Description
2x6x8	10	Framing Lumber
2x4x8	4	Framing Lumber
1x4x8	2	Pine or Whitewood
1 1/4" Pocket Hole Screws		
2 1/2" Pocket Hole Screws		
2 1/2" Wood Screws		
1 1/4" Brad Nails		
2 1/2" Hinge		Link in Post on our Website
Piano Hinge	1	Link in Post on our Website
Wood Glue		

Remember!

Many of these cuts are best made as you go. If you have questions, check out the tutorial on our site!

CUT LIST 1

***Note: I ripped some of the boards down, to remove the round edges and to save money on lumber. The ripped boards have been noted on the cut lists. This is not a necessary step but if you choose not to rip your boards, please adjust the plans accordingly.**



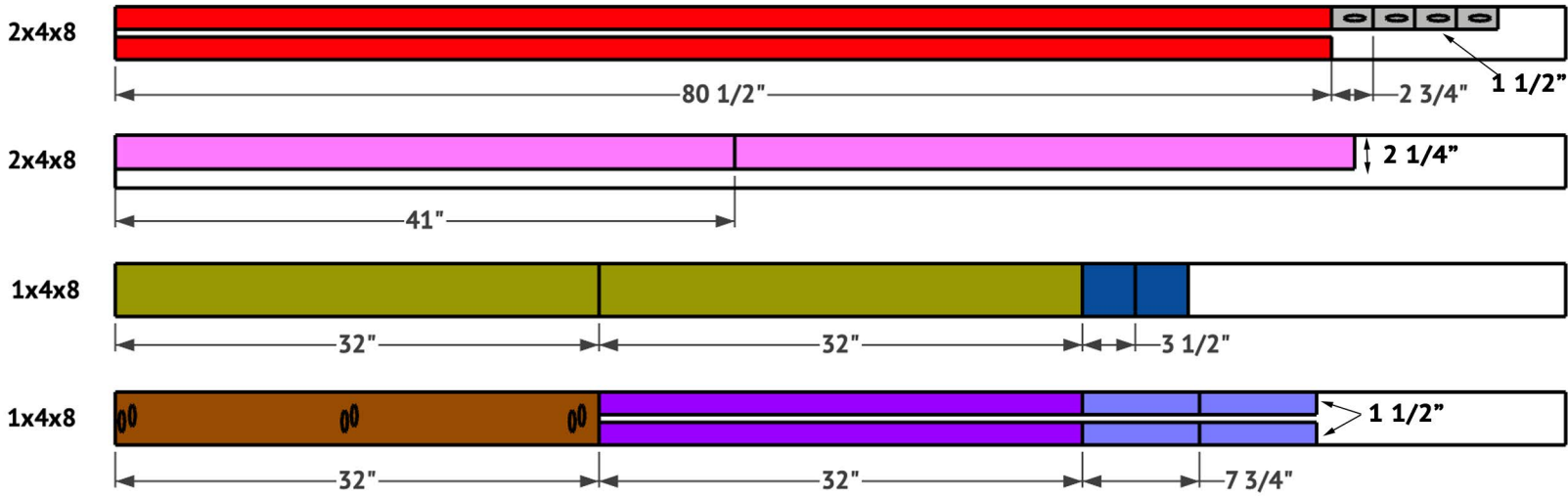
Miter Detail:



Remember!

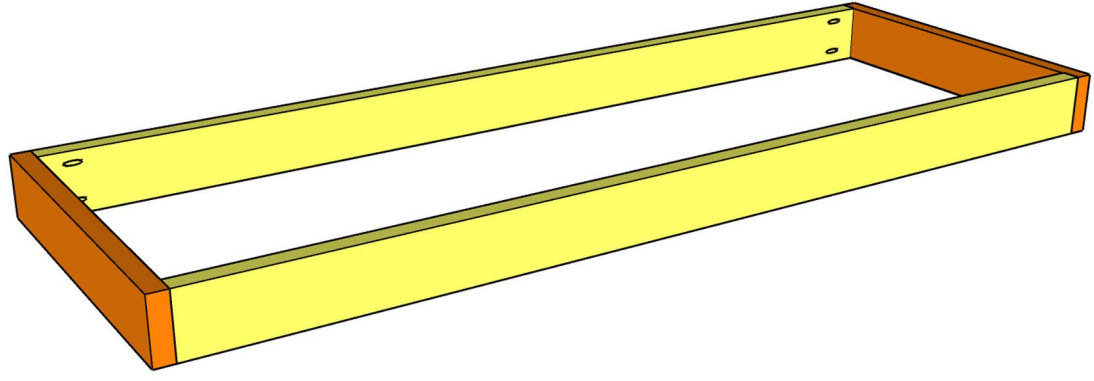
Many of these cuts are best made as you go. If you have questions, check out the tutorial on our site!

CUT LIST



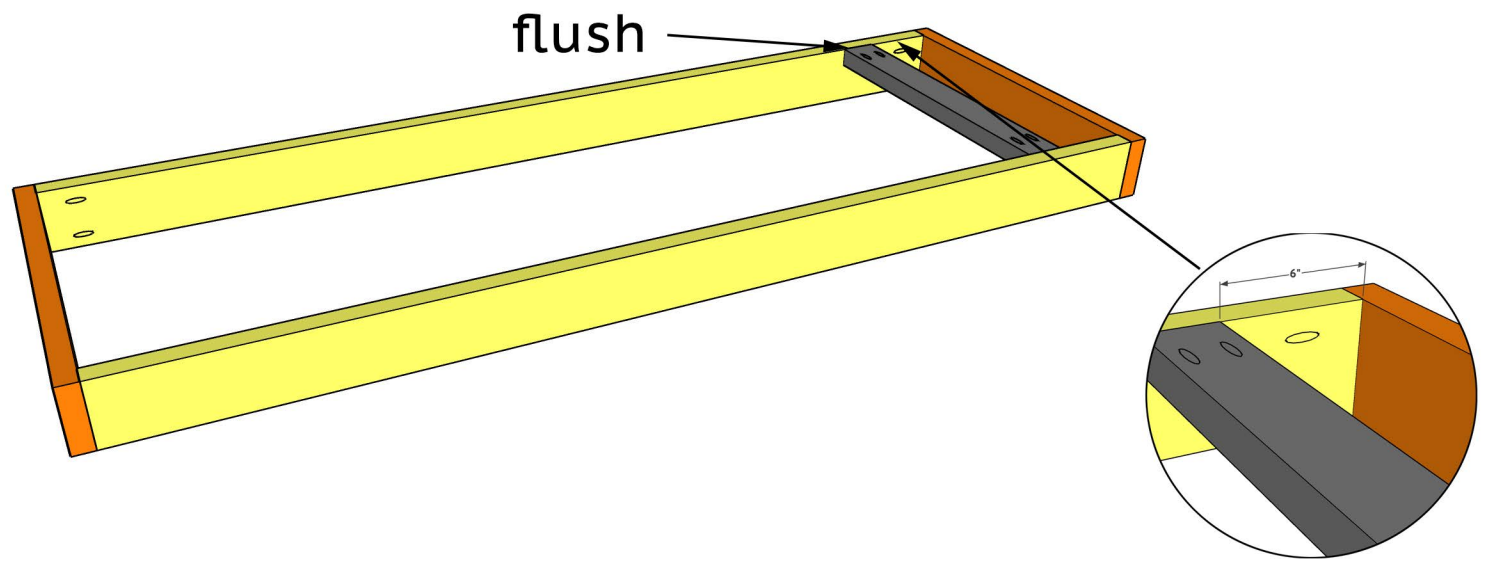
1

Cut the frame boards to size and drill 1 1/2" pocket holes at both ends of the long frame boards. Attach the long boards to the short boards with 2 1/2" pocket hole screws and wood glue.



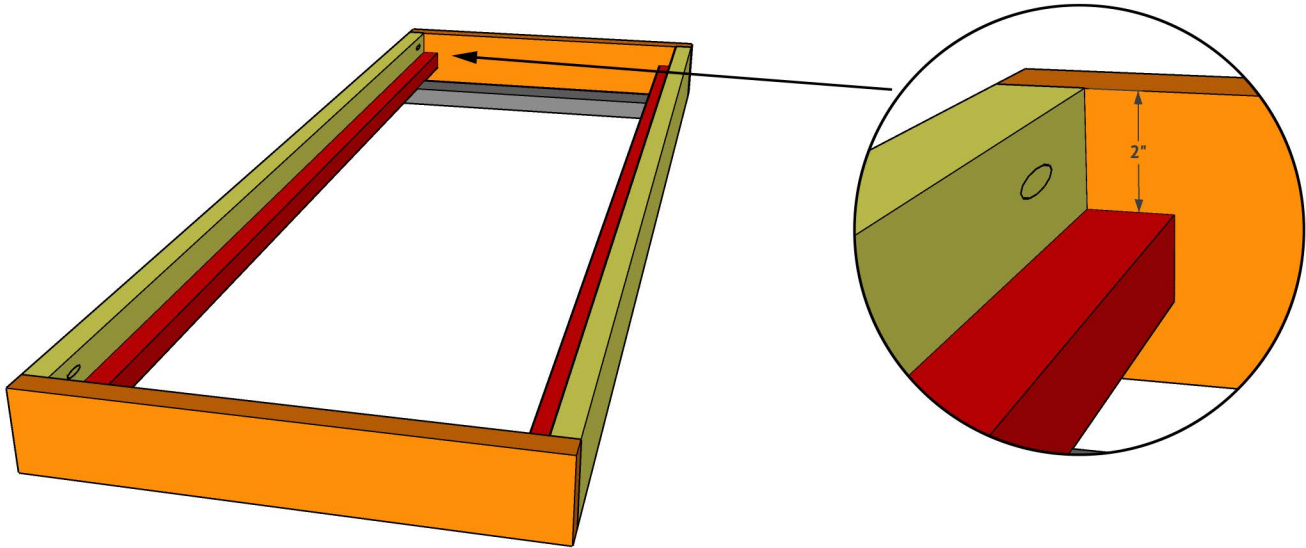
2

Cut the bottom support to size and drill 1 1/2" pocket holes at both ends. Attach it to the inside of the frame, 6" from the edge and flush with the top of the frame boards, with 2 1/2" pocket hole screws and wood glue. Pocket holes should face up. This will be the bottom side of the lounge chair.



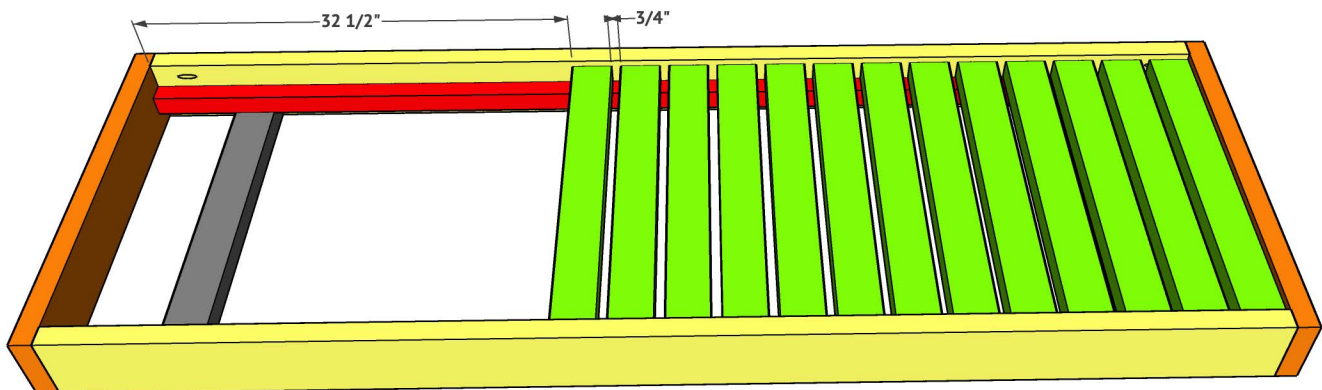
3

Cut the cleats to size. Flip the frame over, so that it is right-side-up. Attach the cleats to the long frame boards, 2" from the top, with 2 1/2" wood screws and wood glue.



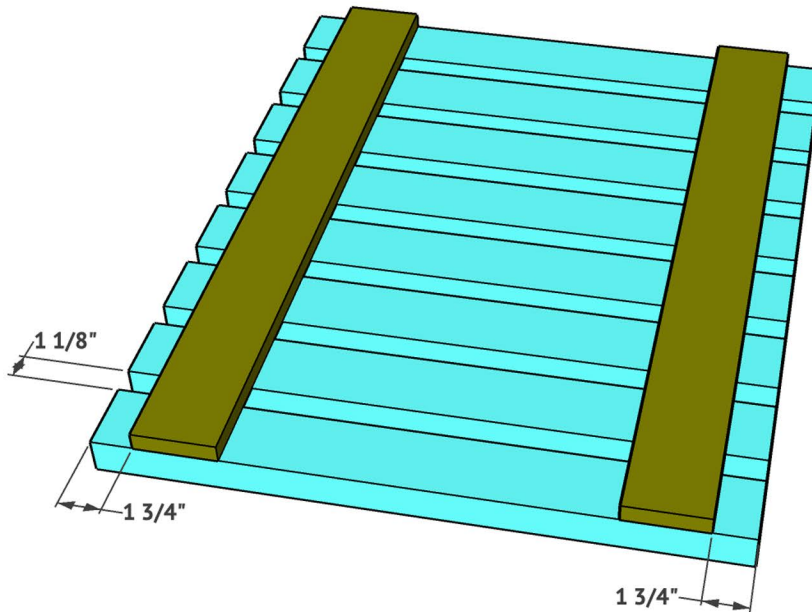
4

Cut the seat slats to size. Space them out evenly, from the end of the frame (opposite end of the bottom support) and attach them to the cleats with 2 1/2" wood screws and wood glue. The board on the end should be flush with the end frame board.



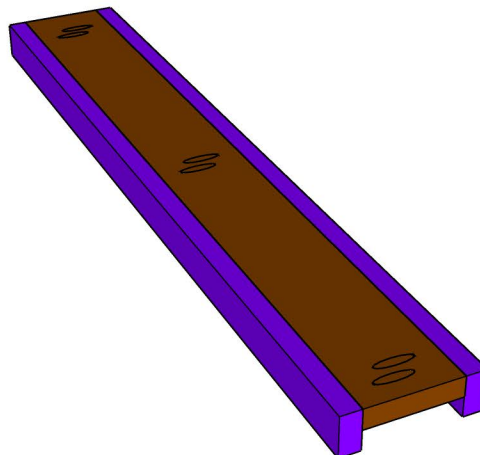
5

Cut the back slats and back braces to size. Spread the slats out and attach the back braces to the slats with 1 1/4" wood screws and wood glue.



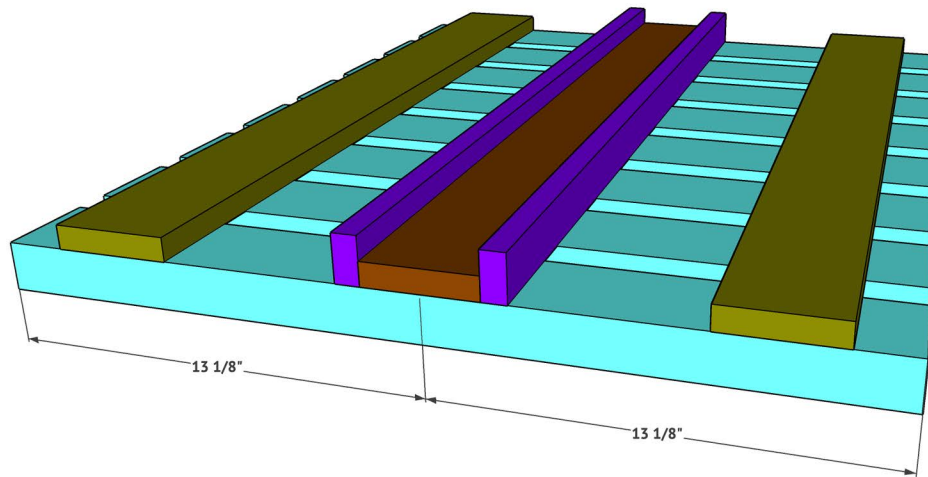
6

Cut the back track pieces to size and drill 3/4" pocket holes on both edges of the middle board. Attach the side board to the middle board with 1 1/4" pocket hole screws and wood glue.

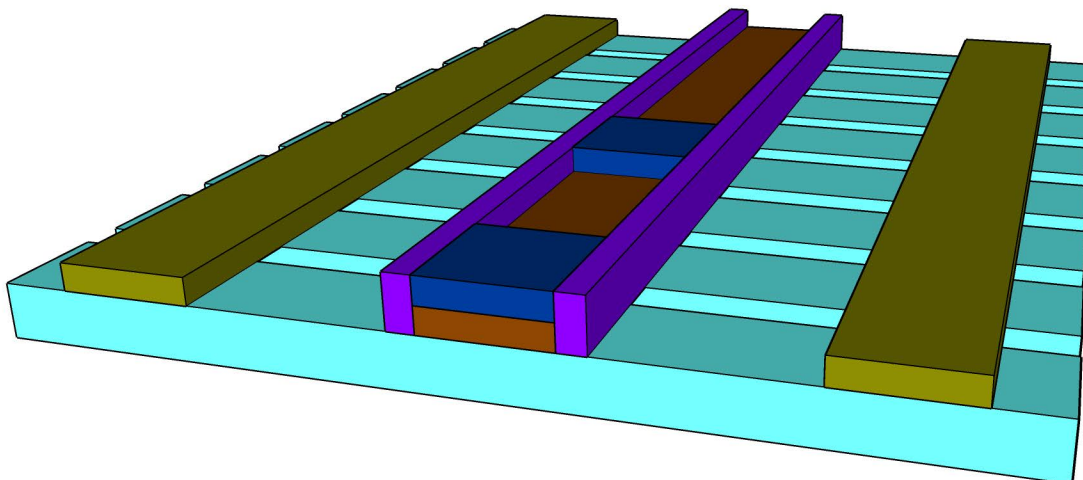




Attach the back track to the center of the back assembly with 1 1/4" wood screws and wood glue.

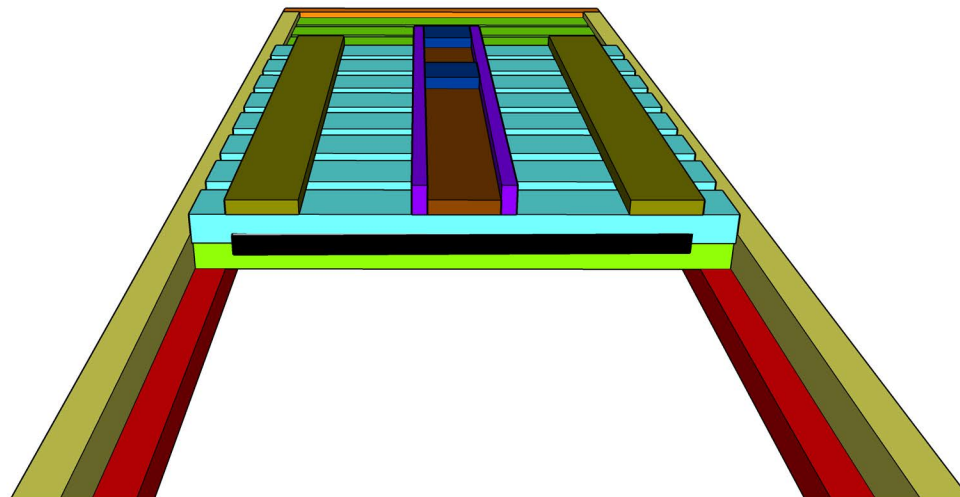


Cut the back stops to size and attach them inside the track with 1 1/4" wood screws and wood glue. Note: You can place these where you prefer the back assembly to rest.



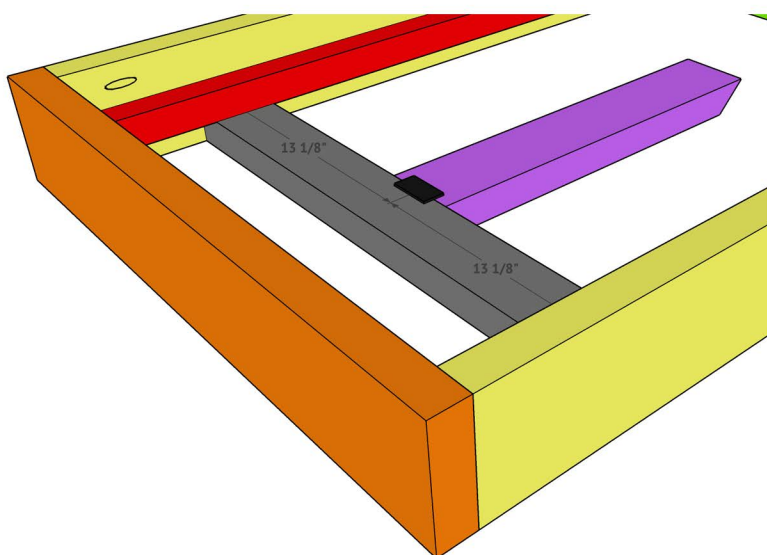
9

Lay the back assembly upside down and on top of the seat slats. Attach them together with a piano hinge.



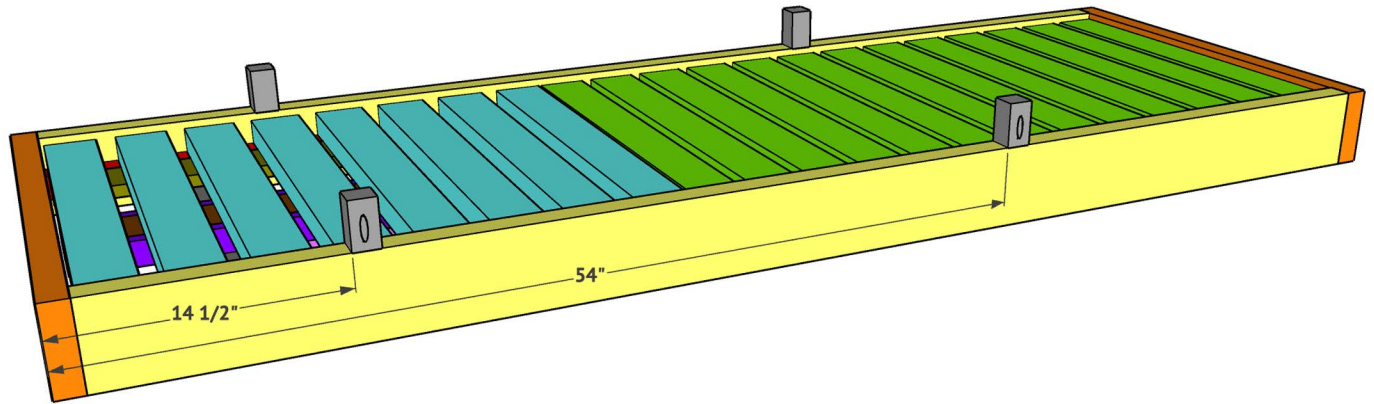
10

Cut the arm to size and attach the square end to the frame support with an outdoor hinge. The long point of the mitered edge should be on the top.



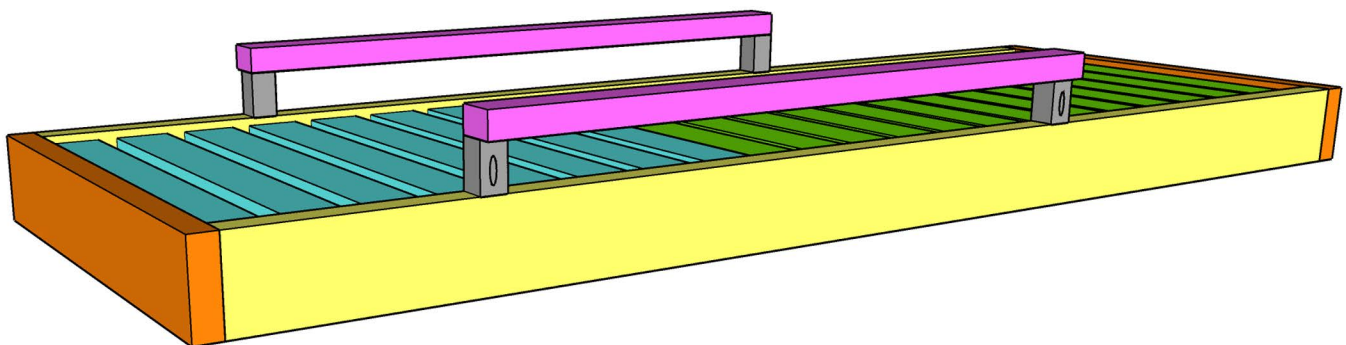
11

Cut the short arm rest blocks to size and drill 3/4" pocket holes in one end of all of them. Attach the blocks to the top of the lounge chair frame with 2 1/2" pocket hole screws and wood glue. Pocket holes should face out.



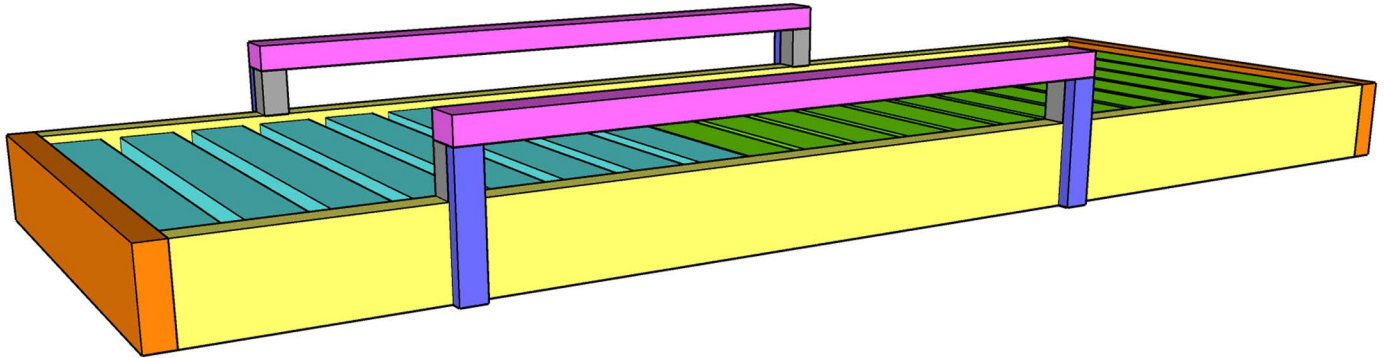
12

Measure from one block to the other and cut the arm rest top pieces to size. Attach them to the top of the blocks with 2 1/2" wood screws and wood glue. The back side of the top piece should be flush with the back side of the blocks.



13

Measure and cut the arm rest trim pieces to size and attach them to the front of the blocks and over the chair frame with 1 1/4" brad nails and wood glue.



Fill any exposed holes with wood filler, sand it down and give it a finish!

Make sure to share your builds with us on social media and use #shant2chic so we can share them too!

Happy Building!

