



©2024 WWW.SHANTY-2-CHIC.COM



DIY Round Coffee Table

Supply List

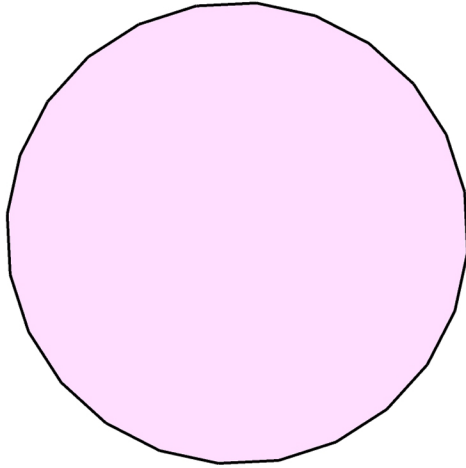
Item	Quantity	Description
2 x 4 x 8 Framing Lumber	2	ripped to 3"
Edge Glued Panels	1	36" round
Pocket Hole Screws	several	2.5"
Wood Glue		

Remember!

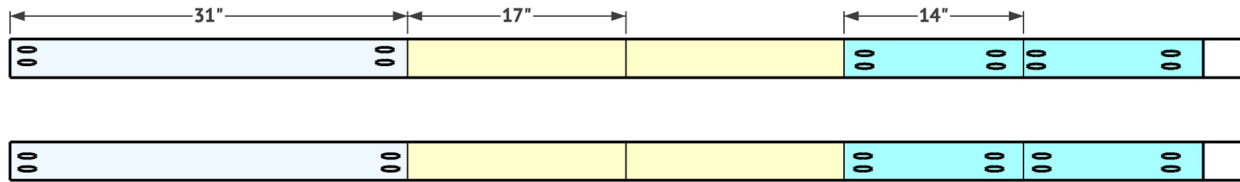
Many of these cuts are best made as you go. If you have questions, check out the tutorial on our site!

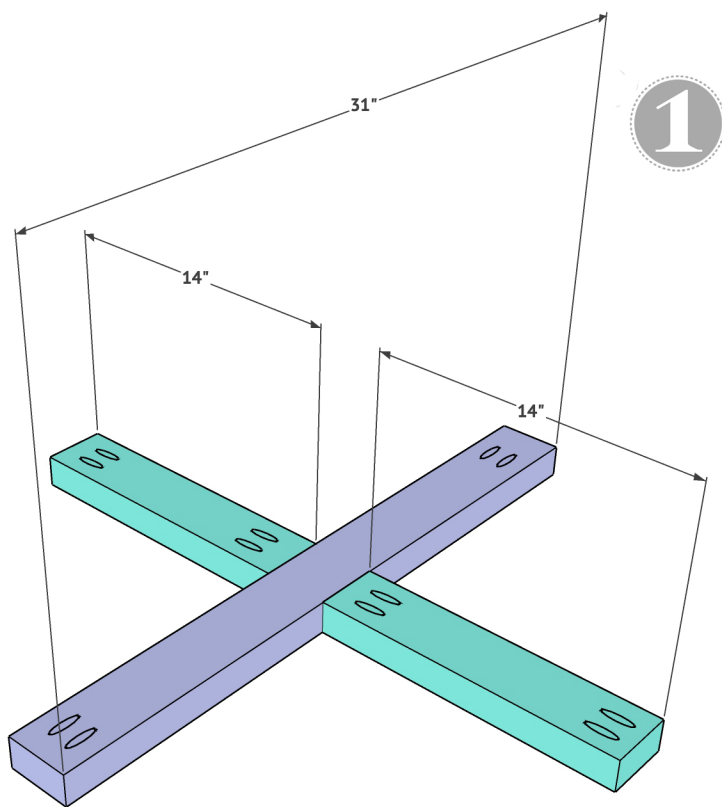
CUT LIST

36" round
edge-glued
project panel



2x4x8
framing lumber
ripped to 3" wide



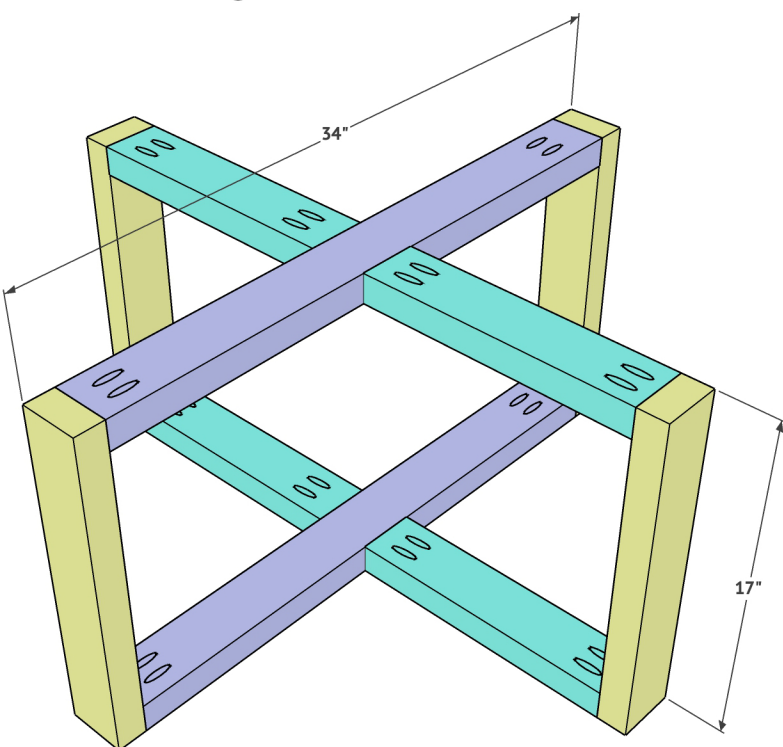
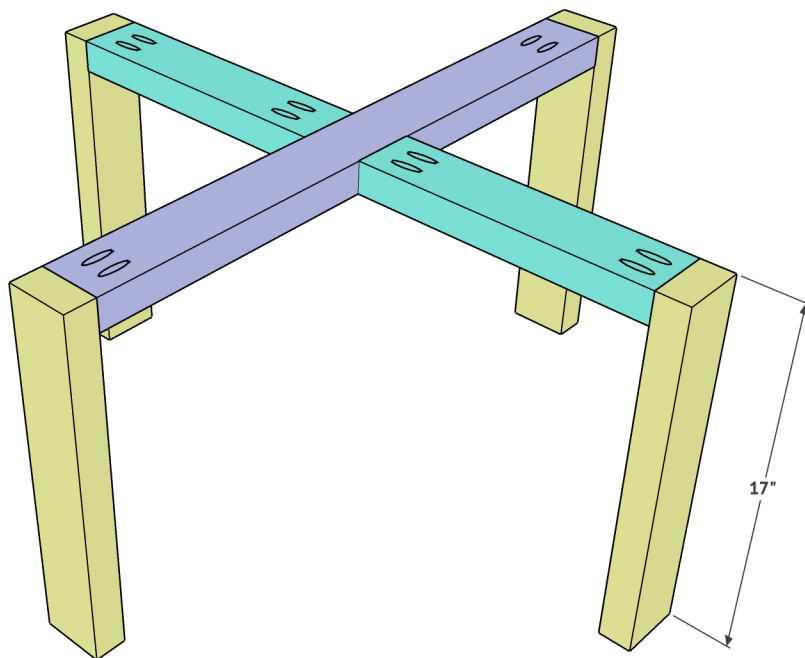


1

Add 1.5" pocket holes to the ends of each board and attach using 2.5" pocket hole screws and wood glue. You will make 2 of these X pieces that will be identical.

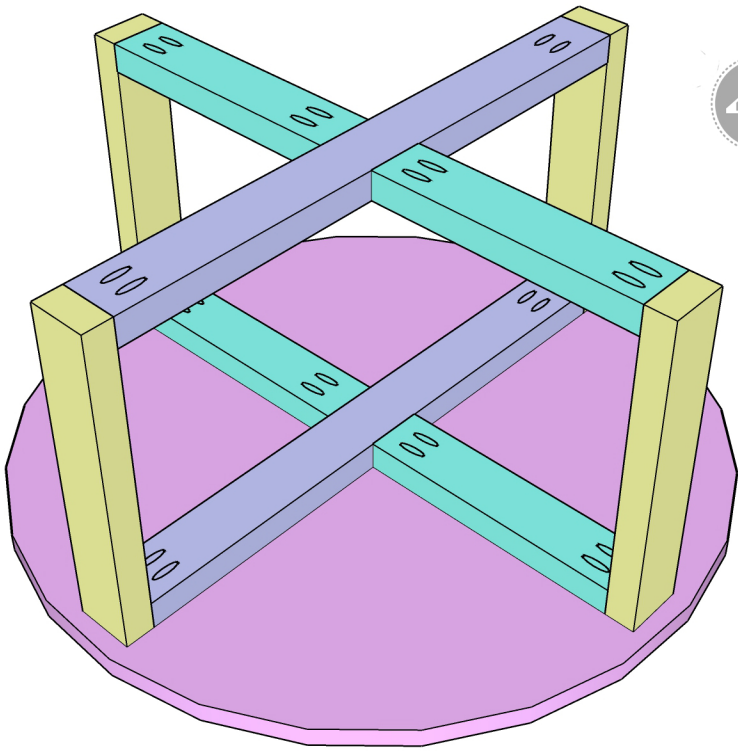
Attach the 4 leg pieces to the ends of one X piece using 2.5" pocket hole screws and wood glue. The ends of the leg pieces will be flush with the X piece and pocket holes facing up as shown.

2



3

Attach the other X piece to the ends of the leg pieces using wood glue and 2.5" pocket hole screws. The X will be flush with the ends of the leg pieces with pocket holes facing up as shown.



4

Now attach the base assembly to the bottom of the table top. Use 2" Kreg pocket hole screws through the base and into the table top. We used the Kreg Quick-Flip to make this part even easier. There will be about a 1" overhang from the legs to the table top edge.