

Shanty Chic

DIY FURNITURE - WOODWORKING - HOMEMAKING



SUPPLY LIST

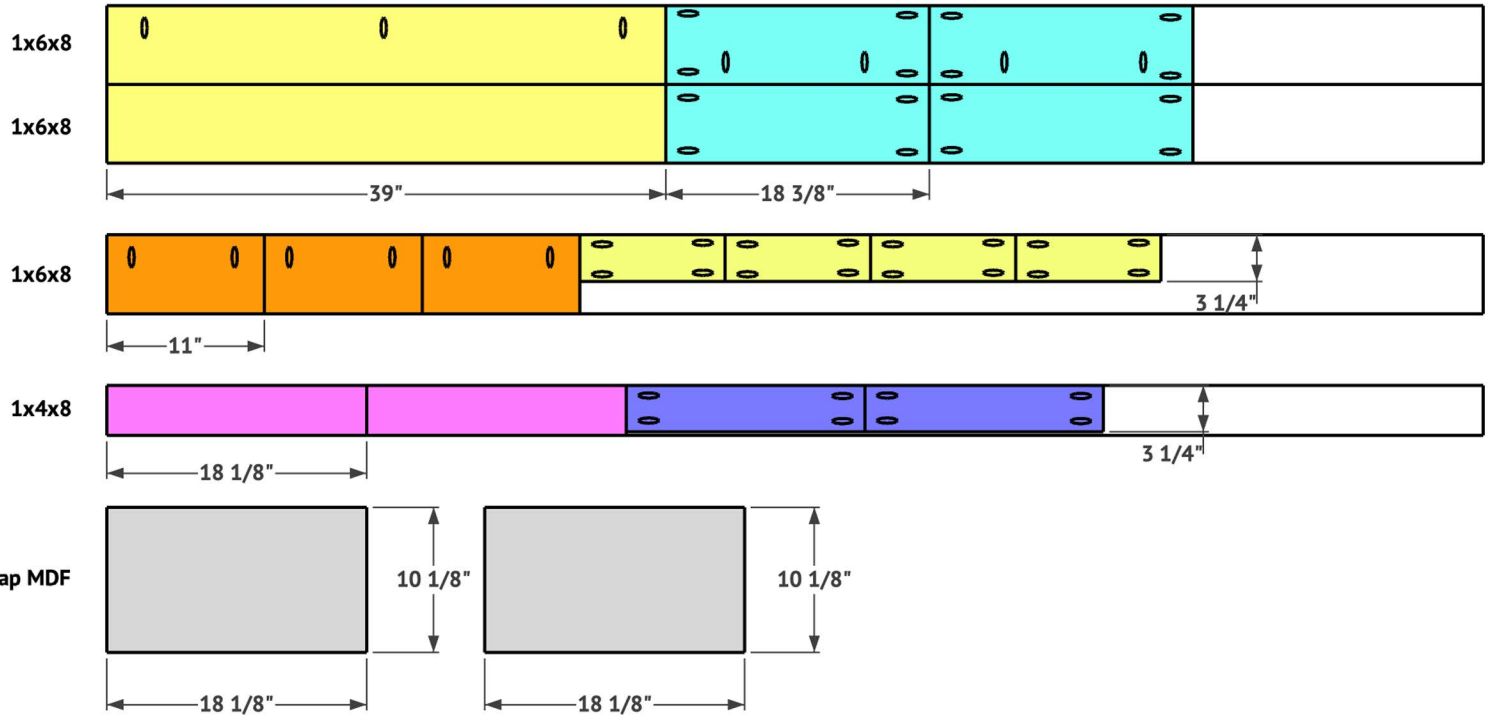
Item	Quantity	Description
1x4x8	1	Pine or Common Boards
1x6x8	3	Pine or Common Boards
19"x11"x1/4" Scrap	2	MDF or Plywood
1 1/4" Pocket Hole Screws		
3/8 Staples (or brad nails)		
Cabinet Pulls	2	Link in Post on Our Site
Wood Glue		Link in Post on Our Site
Finish		Link in Post on Our Site

Remember!

Many of these cuts are best made as you go. If you have questions, check out the tutorial on our site!

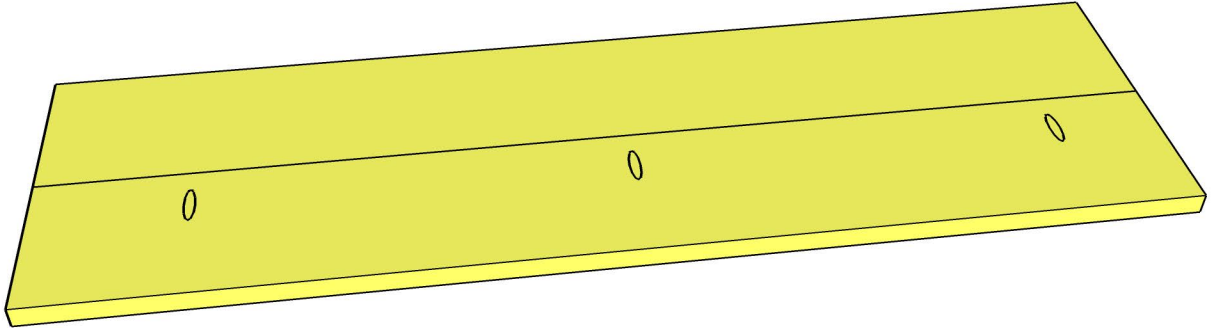
CUT LIST

Note: I ripped the drawer frame boards to 3 1/4" wide to accommodate for the drawer bottom. This is not a necessary step but if you choose not to rip the boards, adjust the plans accordingly. Drawer bottom can be attached without the 1/4" overhang but face frame will need to be adjusted to hide the drawer bottom.



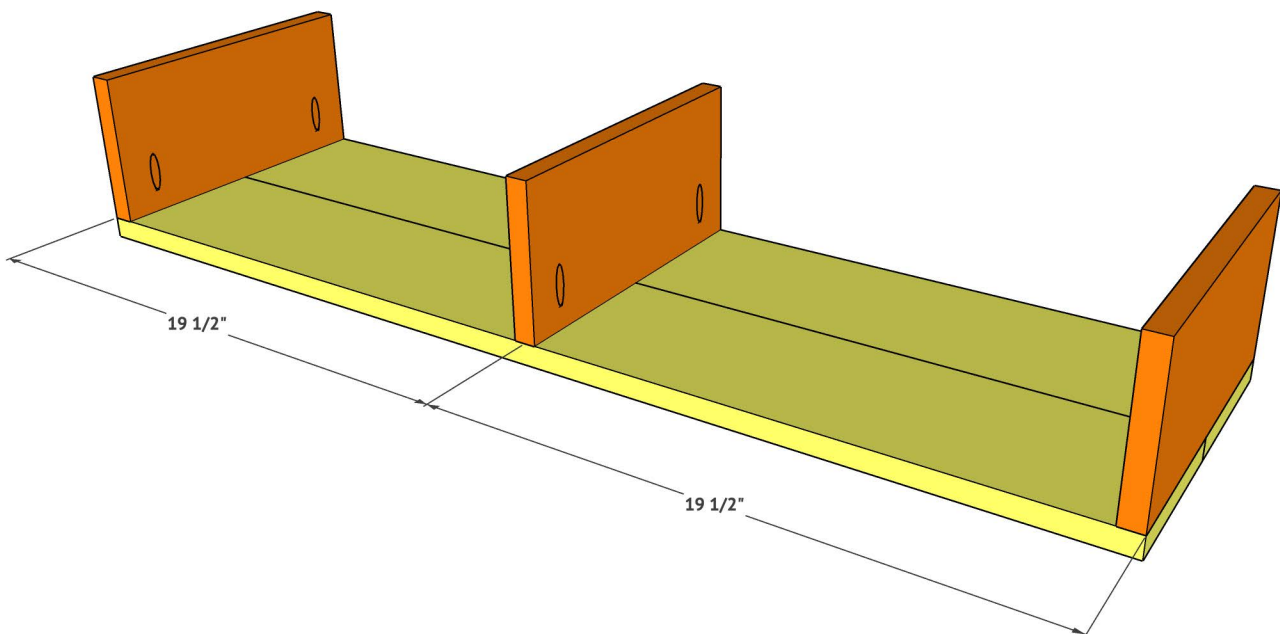
1

Cut the top plank pieces to size and drill $\frac{3}{4}$ " pocket holes on one edge of one of the planks. Attach them together with $1 \frac{1}{4}$ " pocket hole screws.



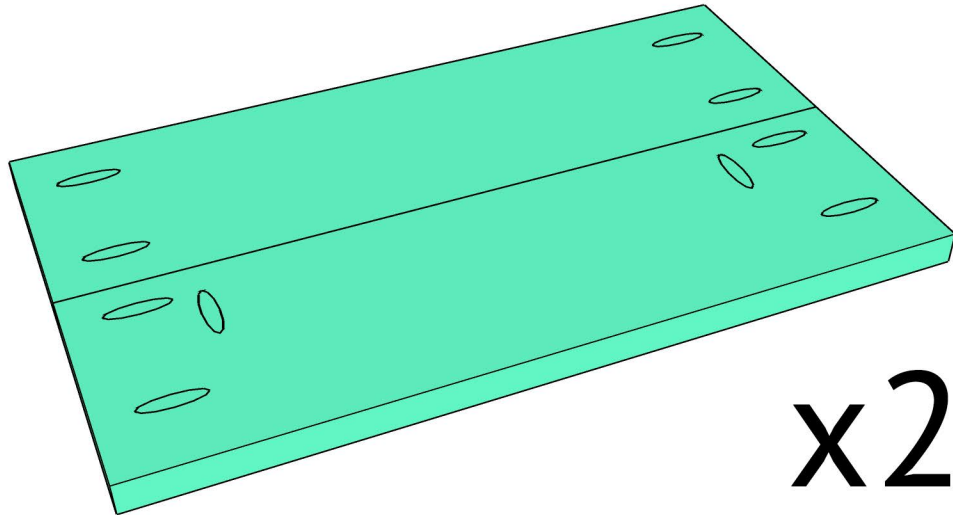
2

Cut the divider and side pieces to size. Drill $\frac{3}{4}$ " pocket holes on one edge of each board. Attach them to the center and both ends of the top planks with $1 \frac{1}{4}$ " pocket hole screws and wood glue.



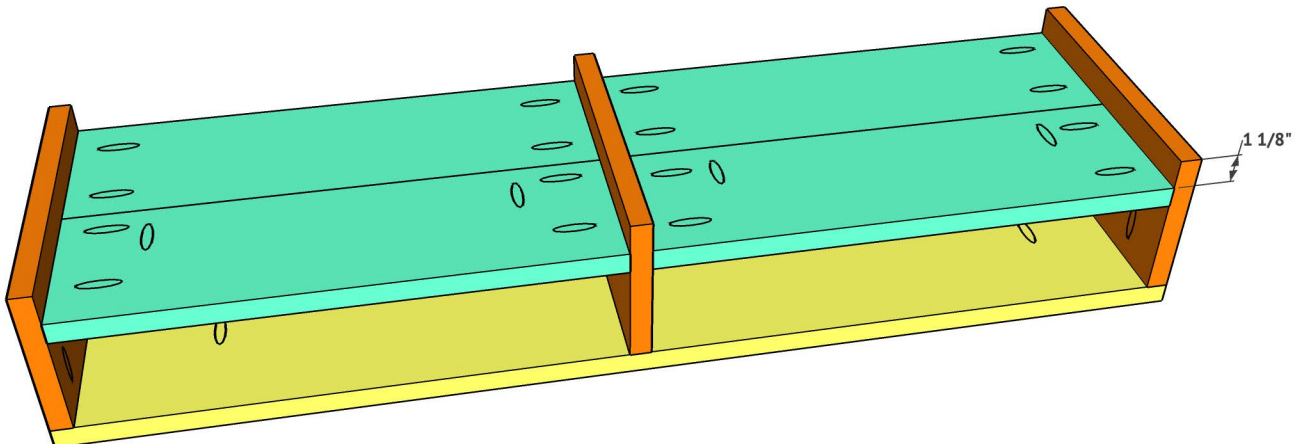
3

Cut the bottom shelf pieces to size and drill $\frac{3}{4}$ " pocket holes on one edge of one board and both ends of each board. Attach them together with $1\frac{1}{4}$ " pocket hole screws. Build two bottom shelf assemblies.



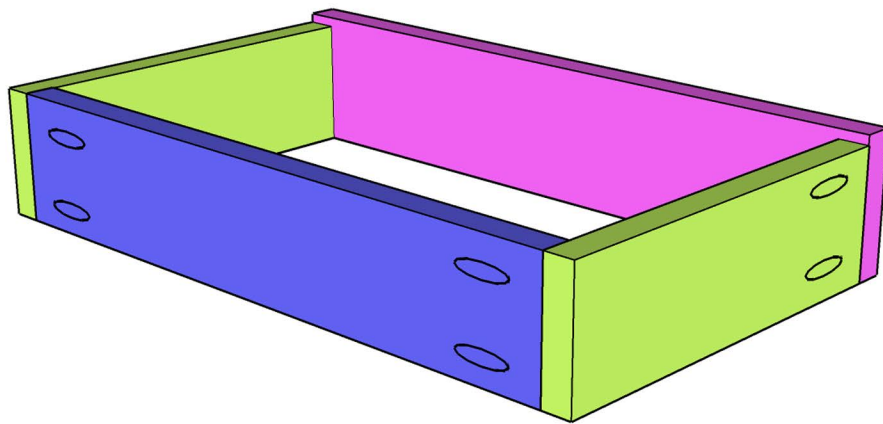
4

Attach each bottom shelf assembly to the sides and divider with $1\frac{1}{4}$ " pocket hole screws. The shelves should be $1\frac{1}{8}$ " from the bottom of the side pieces and middle divider.



5

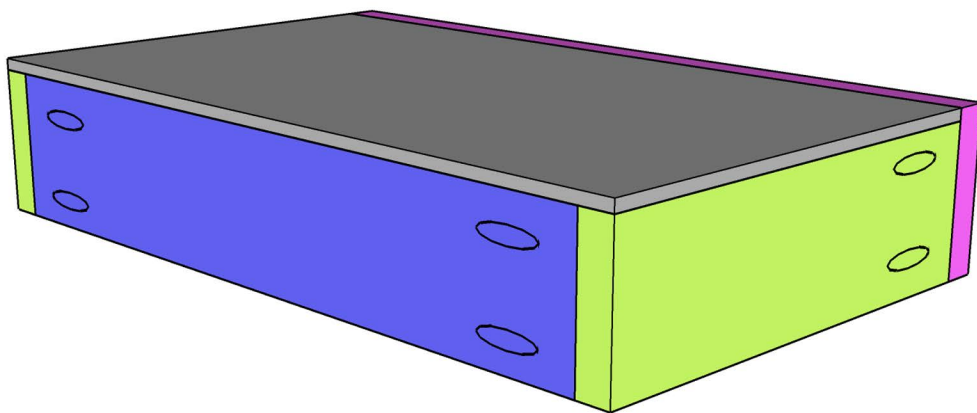
Cut the drawer frame pieces to size. Drill 3/4" pocket holes on one end of each side frame piece and both ends of the back frame piece. Attach them together with 1 1/4" pocket hole screws and wood glue. The top of the boards should be flush and the bottom of the drawer face should overhang 1/4" on the bottom to allow for the drawer bottom. Build 2 drawer frames.



x2

6

Cut the drawer bottom piece to size and attach it to the bottom of the drawer frame with 3/8" staples and wood glue.



x2

Sand the entire piece down, add a finish and some cute hardware and you're done!

Make sure to share your builds with us on social media and use #shanty2chic so we can share them too!

Happy Building!

