



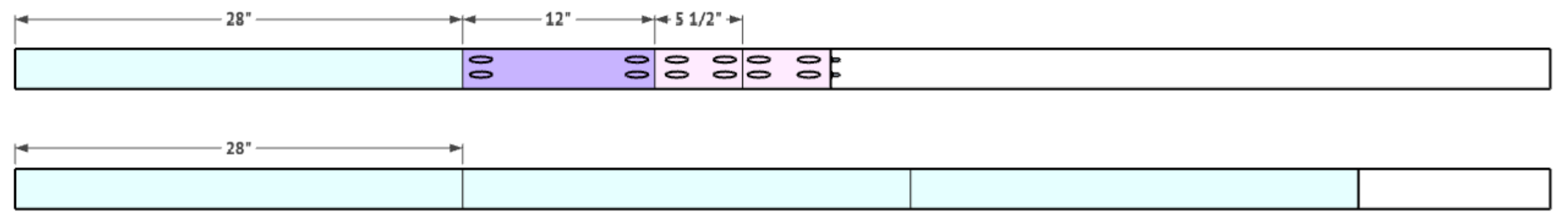
DIY Beaded Plant Stand

Supply List

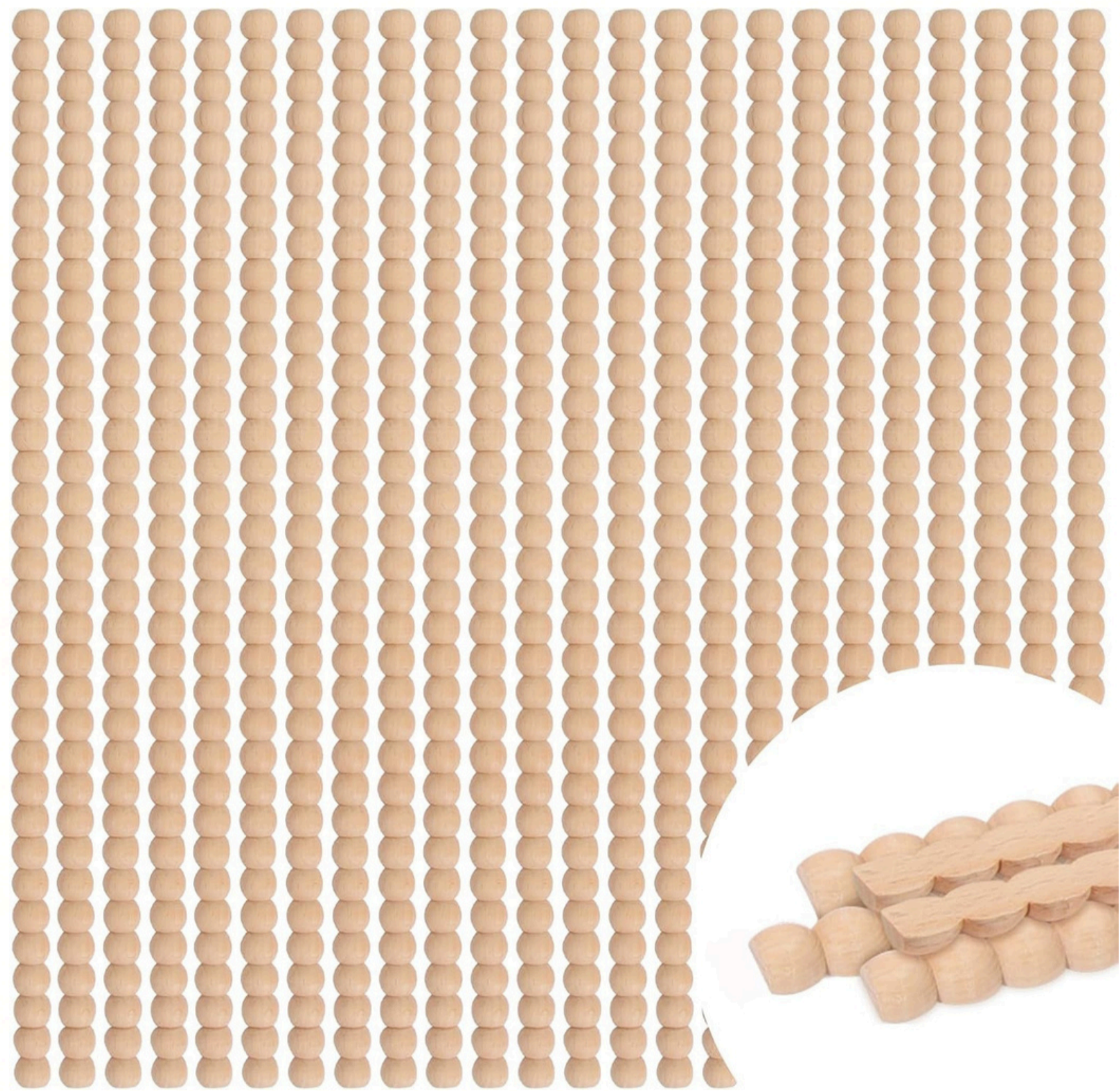
Item	Quantity	Description
2x4x8 Boards	2	ripped to 2.5" each
Decorative Beaded Trim	2	check website for link
2.5" Kreg pocket hole screws	12	
Pin Nails	several	3/4"
Wood Glue		

Cut List

2 - 2x4x8 -
ripped to 2.5"

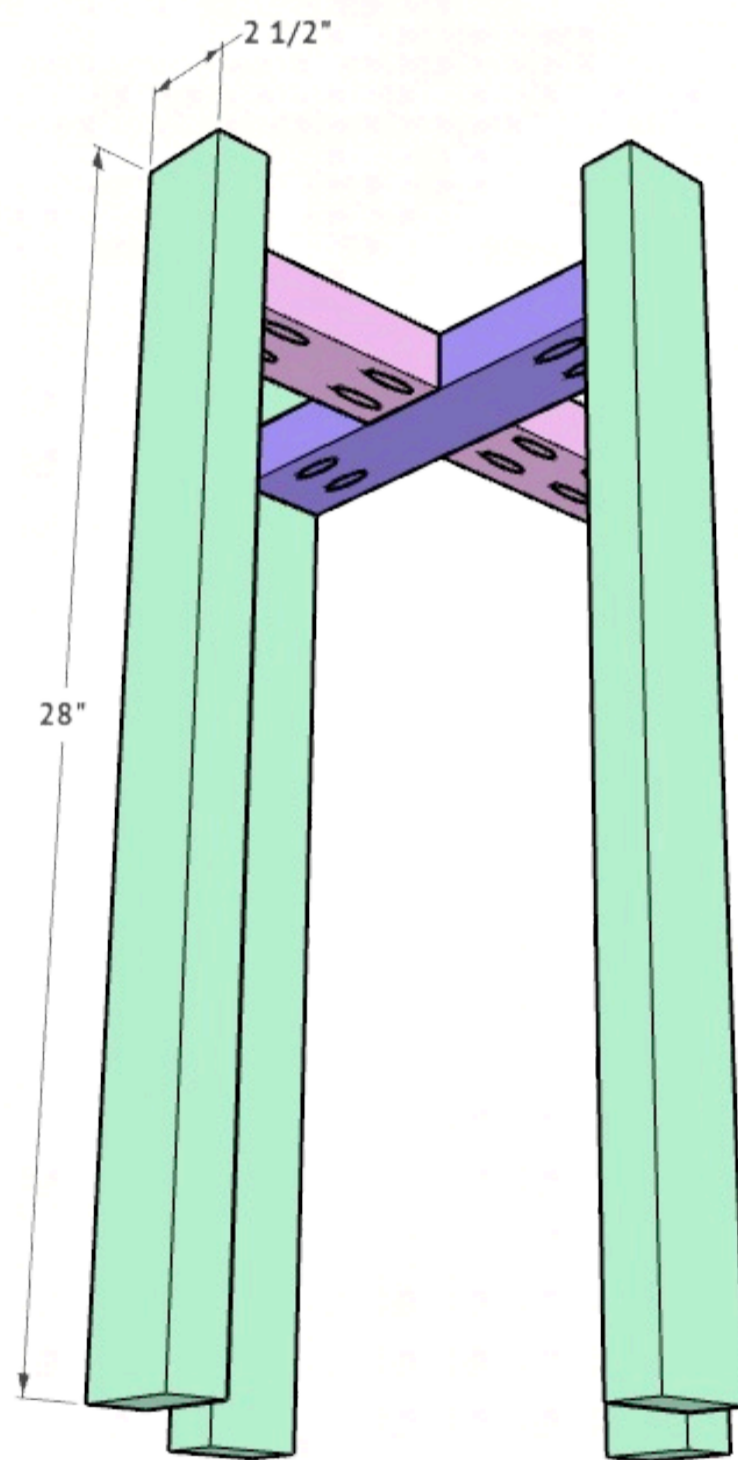
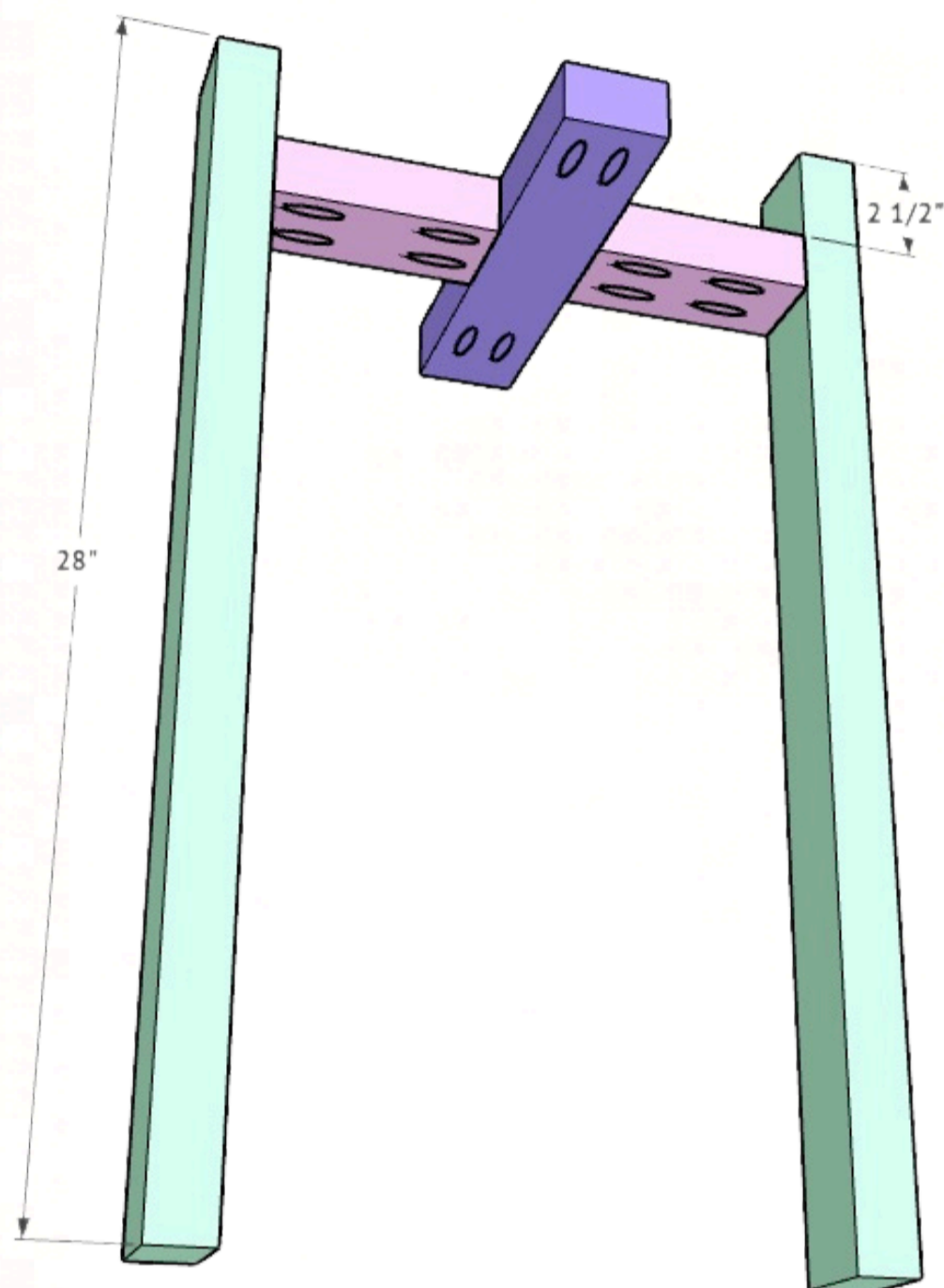
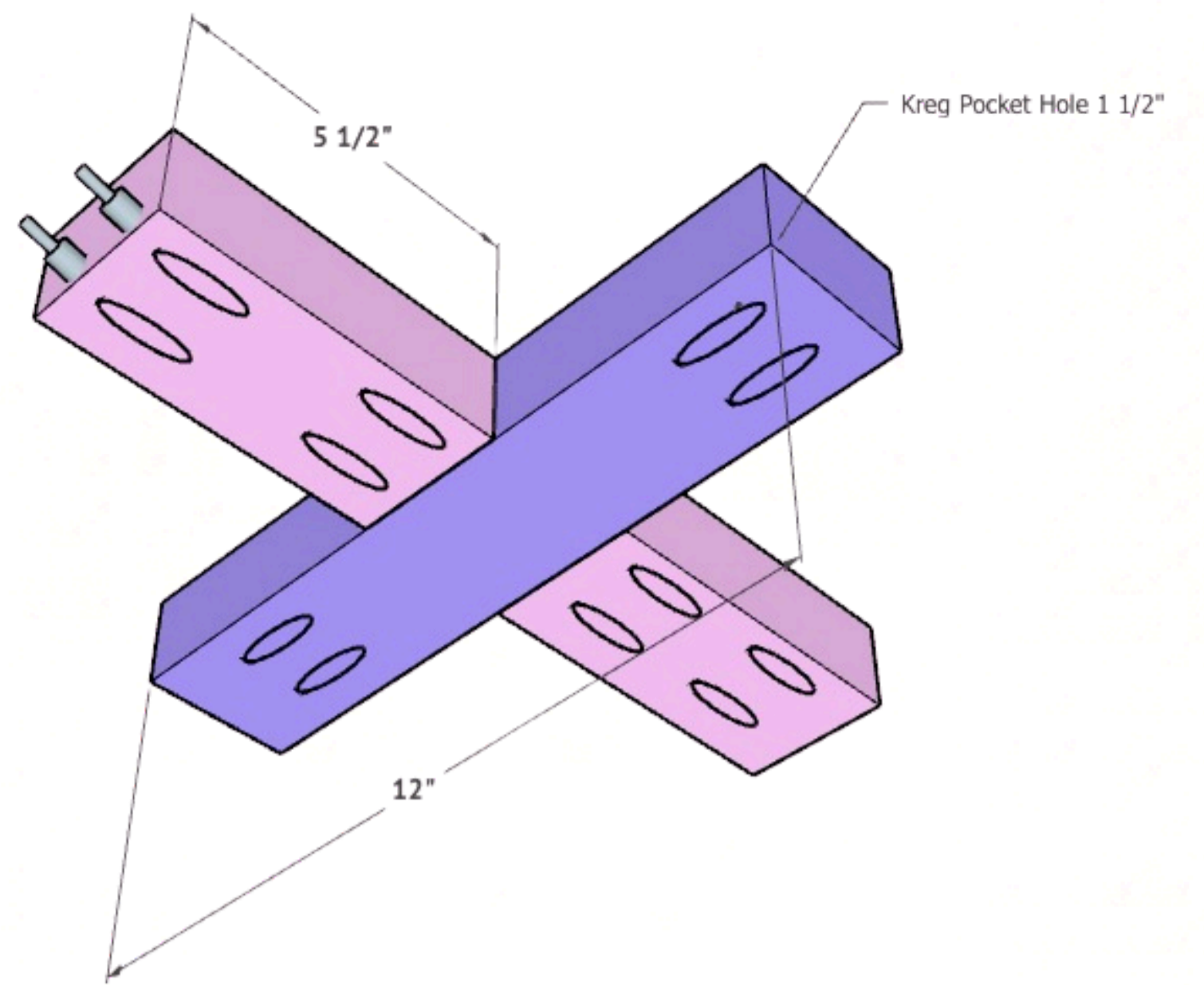


Beaded Wood
Trim



STEP 1

Cut all boards according to the cut list. Drill pocket holes in the 12" support piece and both 5-1/2" support blocks as shown in the diagrams. Assemble the center support using wood glue and 2-1/2" pocket hole screws.



STEP 2

Position the center support assembly on the four 28" leg pieces. We located ours 2.5" from the top of each leg. Secure the assembly to the legs with wood glue and 2-1/2" pocket hole screws.



STEP 3

Cut the decorative beaded trim to fit the length of each leg. Apply wood glue to the back of the trim and center it on each leg. Secure the trim with 3/4" pin nails.

